

THS25R22J ✓ ACTIVE

CGS | CGS THS

TE Internal #: 1879075-6

.22 ohm, Wire Wound, 5 %, Power Resistor, 25 W, 2 Terminations,

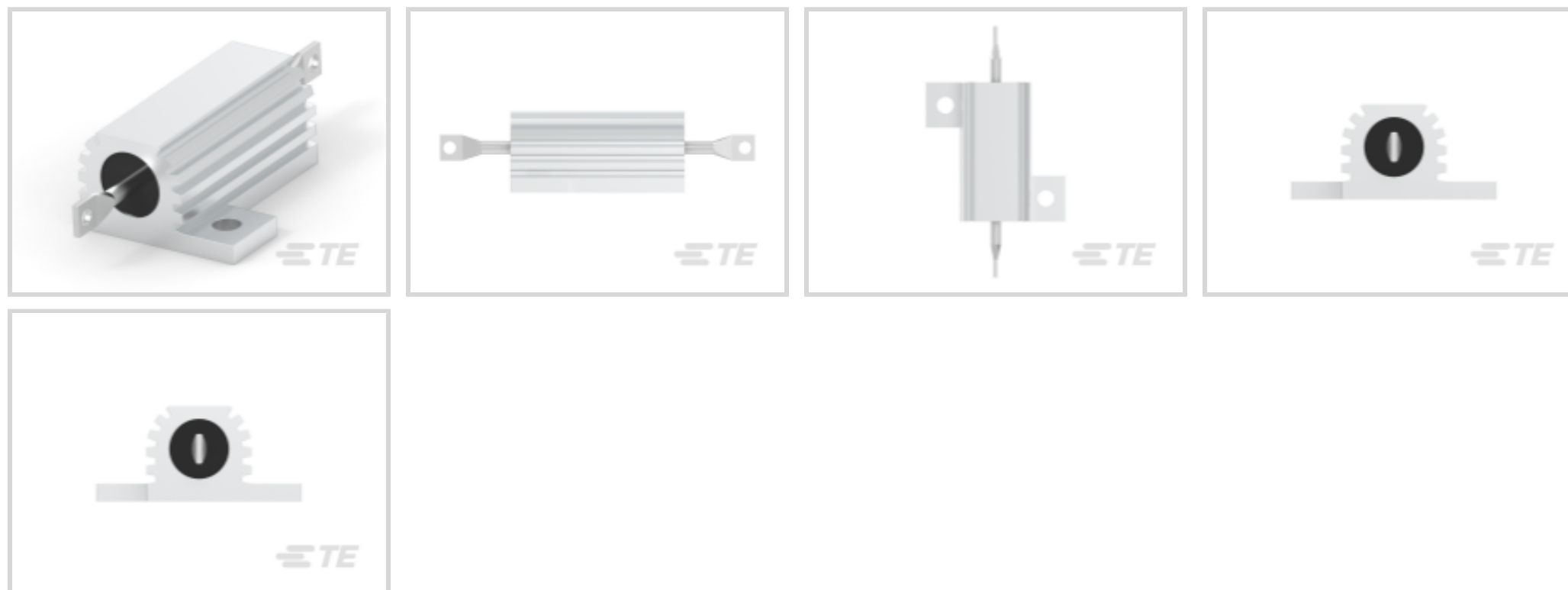
±50 ppm/°C, Solder Lug, Loose Piece - Tray, 15 mm [.591 in]

Height, CGS THS

[View on TE.com >](#)



Passive Components > Resistors > Chassis Mount Resistors > Power Resistor: Aluminum Housed, 75 Watt



Resistor Type: **Power Resistor**

Resistance Class: **Up to 1kΩ**

Resistance Value: **.22 Ω**

Power Rating: **25 W**

Element Type: **Wire Wound**

[All Power Resistor: Aluminum Housed, 75 Watt \(236\)](#)

## Features

### Product Type Features

Resistor Type	Power Resistor
Element Type	Wire Wound

### Configuration Features

Number of Resistors	1
---------------------	---

### Electrical Characteristics

Operating Voltage	550 VDC
Resistance Class	Up to 1kΩ
Resistance Value	.22 Ω
Power Rating	25 W
Passive Component Tolerance	5 %

### Termination Features

Number of Terminations	2
------------------------	---



Chassis Mount Resistor Termination Type Solder Lug

**Mechanical Attachment**

Panel Mount Feature Type Flange with Mounting Holes

**Dimensions**

Product Height 15 mm [.591 in]

Product Length 51 mm [2.008 in]

Product Width 28 mm [1.102 in]

**Usage Conditions**

Temperature Coefficient ±50 ppm/°C

**Packaging Features**

Packaging Method Loose Piece - Tray

**Product Compliance**

[For compliance documentation, visit the product page on TE.com>](#)

EU RoHS Directive 2011/65/EU Compliant

EU ELV Directive 2000/53/EC Compliant

China RoHS 2 Directive MIIT Order No 32, 2016 有害物质含量符合标准要求 No Restricted Substance(s) Above Threshold

EU REACH Regulation (EC) No. 1907/2006 Current ECHA Candidate List: JUNE 2025 (250)  
Candidate List Declared Against: JUNE 2025 (250)  
Does not contain REACH SVHC

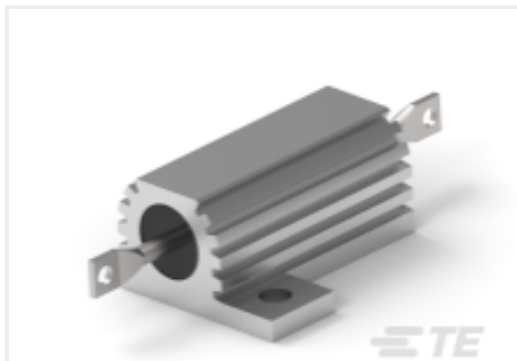
Halogen Content Low Halogen - Br, Cl, F < 900 ppm per homogenous material. Also BFR/CFR/PVC Free

Solder Process Capability Hand solderable with lead free solder

Product Compliance Disclaimer

This information is provided based on reasonable inquiry of our suppliers and represents our current actual knowledge based on the information they provided. This information is subject to change. The part numbers that TE has identified as EU RoHS compliant have a maximum concentration of 0.1% by weight in homogenous materials for lead, hexavalent chromium, mercury, PBB, PBDE, DBP, BBP, DEHP, DIBP, and 0.01% for cadmium, or qualify for an exemption to these limits as defined in the Annexes of Directive 2011/65/EU (RoHS2). Finished electrical and electronic equipment products will be CE marked as required by Directive 2011/65/EU. Components may not be CE marked. Additionally, the part numbers that TE has identified as EU ELV compliant have a maximum concentration of 0.1% by weight in homogenous materials for lead, hexavalent chromium, and mercury, and 0.01% for cadmium, or qualify for an exemption to these limits as defined in the Annexes of Directive 2000/53/EC (ELV). Regarding the REACH Regulation, the information TE provides on SVHC in articles for this part number is based on the latest European Chemicals Agency (ECHA) 'Guidance on requirements for substances in articles' posted at this URL: <https://echa.europa.eu/guidance-documents/guidance-on-reach>

## Compatible Parts

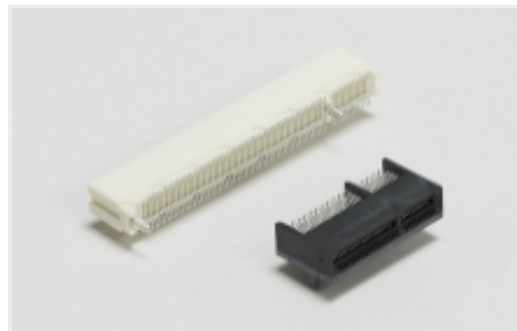


TE Part # CAT-C339-T419  
Power Resistor: Aluminum Housed, 75 Watt

## Also in the Series | CGS THS



Chassis Mount Resistors(241)



PCI & PCI Express Connectors(8)

## Customers Also Bought



TE Part #CAT-PC9-F280  
Power Entry Module with EMC Filter FN280, Compact Filtered Power Entry Solution



TE Part #130660  
PIDG RING NYL



TE Part #160292  
PLASTI-GRIP, RING, 12-10 M5



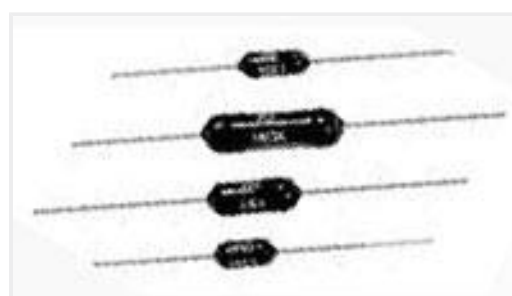
TE Part #5-1393211-3  
T92P11D22-12



TE Part #1-1419108-6  
RT424005F



TE Part #CAT-C339-T419  
Power Resistor: Aluminum Housed, 75 Watt



TE Part #1-1879621-1  
H4P 27R 1% 50PPM

## Documents

[Product Drawings](#)

[THS25 R22 5%](#)

English



**CAD Files**

**3D PDF**

3D

**Customer View Model**

[ENG\\_CVM\\_CVM\\_1879075-6\\_BB.2d\\_dxf.zip](#)

English

**Customer View Model**

[ENG\\_CVM\\_CVM\\_1879075-6\\_BB.3d\\_igs.zip](#)

English

**Customer View Model**

[ENG\\_CVM\\_CVM\\_1879075-6\\_BB.3d\\_stp.zip](#)

English

By downloading the CAD file I accept and agree to the [Terms and Conditions](#) of use.

**Datasheets & Catalog Pages**

[4-1773460-6\\_RESISTIVE\\_SOLUTIONS\\_RAIL](#)

English

[1309350\\_PASSIVE\\_COMPONENT](#)

English

[Aluminium Housed Power Resistors - Type THS Series - Tyco Electronics Passives](#)

English

[8-1773459-4\\_POWER\\_FILTERING\\_AND\\_RESISTIVE\\_SOLUTIONS\\_FOR\\_ELEVATORS\\_AND\\_ESCALATORS](#)

English