

THS15R33J ✓ ACTIVE

CGS | CGS THS

TE Internal #: 1879074-4

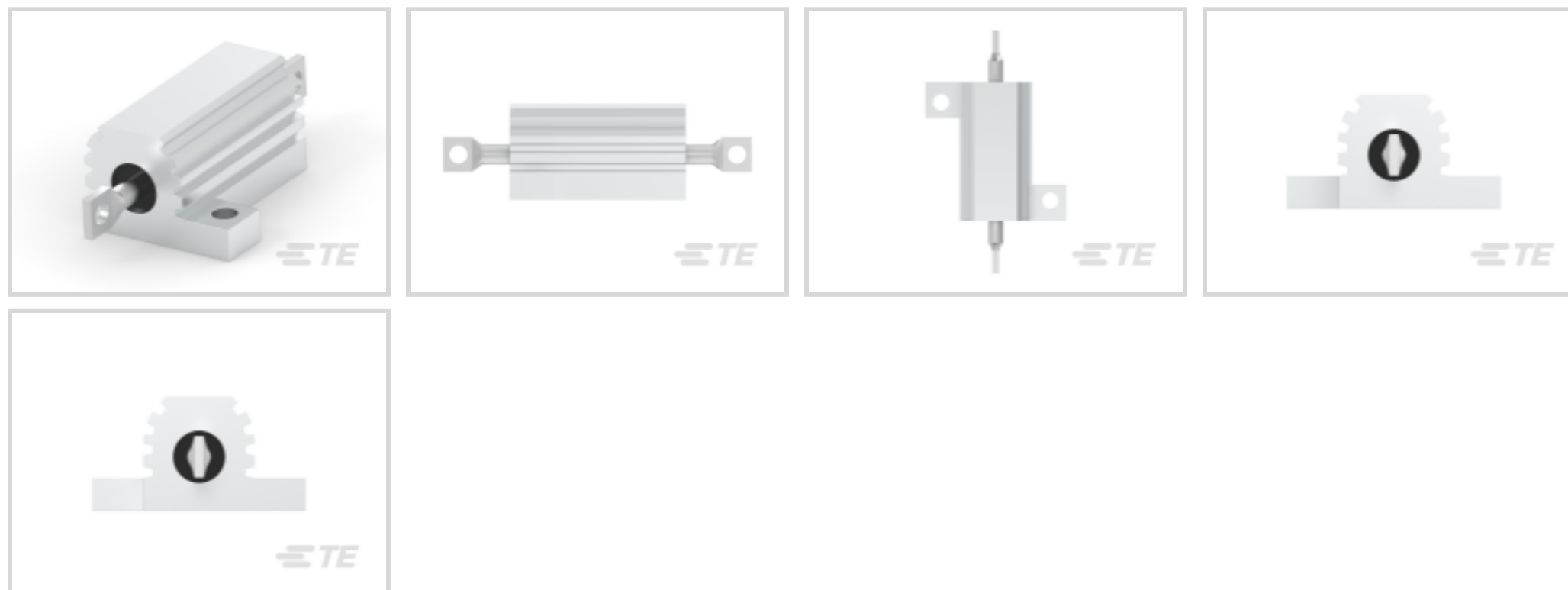
.33 ohm, Wire Wound, 5 %, Power Resistor, 15 W, 2 Terminations,
±50 ppm/°C, Solder Lug, Loose Piece - Tray, 11 mm [.433 in]

Height, CGS THS

[View on TE.com >](#)



Passive Components > Resistors > Chassis Mount Resistors > Power Resistor: Aluminum Housed, 75 Watt



Resistor Type: **Power Resistor**

Resistance Class: **Up to 1kΩ**

Resistance Value: **.33 Ω**

Power Rating: **15 W**

Element Type: **Wire Wound**

[All Power Resistor: Aluminum Housed, 75 Watt \(236\)](#)

Features

Product Type Features

Resistor Type	Power Resistor
Element Type	Wire Wound

Configuration Features

Number of Resistors	1
---------------------	---

Electrical Characteristics

Operating Voltage	265 VDC
Resistance Class	Up to 1kΩ
Resistance Value	.33 Ω
Power Rating	15 W
Passive Component Tolerance	5 %

Termination Features

Number of Terminations	2
------------------------	---



Chassis Mount Resistor Termination Type Solder Lug

Mechanical Attachment

Panel Mount Feature Type Flange with Mounting Holes

Dimensions

Product Height 11 mm [.433 in]

Product Length 36.5 mm [1.437 in]

Product Width 21 mm [.827 in]

Usage Conditions

Temperature Coefficient ±50 ppm/°C

Packaging Features

Packaging Method Loose Piece - Tray

Product Compliance

[For compliance documentation, visit the product page on TE.com>](#)

EU RoHS Directive 2011/65/EU Compliant

EU ELV Directive 2000/53/EC Compliant

China RoHS 2 Directive MIIT Order No 32, 2016 有害物质含量符合标准要求 No Restricted Substance(s) Above Threshold

EU REACH Regulation (EC) No. 1907/2006 Current ECHA Candidate List: JUNE 2025 (250)
Candidate List Declared Against: JUL 2021 (219)
Does not contain REACH SVHC

Halogen Content Not Yet Reviewed for halogen content

Solder Process Capability Hand solderable with lead free solder

Product Compliance Disclaimer

This information is provided based on reasonable inquiry of our suppliers and represents our current actual knowledge based on the information they provided. This information is subject to change. The part numbers that TE has identified as EU RoHS compliant have a maximum concentration of 0.1% by weight in homogenous materials for lead, hexavalent chromium, mercury, PBB, PBDE, DBP, BBP, DEHP, DIBP, and 0.01% for cadmium, or qualify for an exemption to these limits as defined in the Annexes of Directive 2011/65/EU (RoHS2). Finished electrical and electronic equipment products will be CE marked as required by Directive 2011/65/EU. Components may not be CE marked. Additionally, the part numbers that TE has identified as EU ELV compliant have a maximum concentration of 0.1% by weight in homogenous materials for lead, hexavalent chromium, and mercury, and 0.01% for cadmium, or qualify for an exemption to these limits as defined in the Annexes of Directive 2000/53/EC (ELV). Regarding the REACH Regulation, the information TE provides on SVHC in articles for this part number is based on the latest European Chemicals Agency (ECHA) 'Guidance on requirements for substances in articles' posted at this URL: <https://echa.europa.eu/guidance-documents/guidance-on-reach>

Compatible Parts

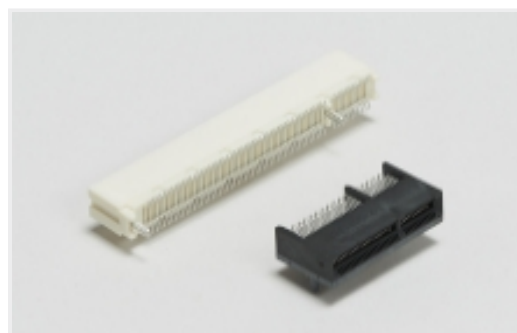


TE Part # CAT-C339-T419
Power Resistor: Aluminum Housed, 75 Watt

Also in the Series | CGS THS



Chassis Mount Resistors(241)



PCI & PCI Express Connectors(8)

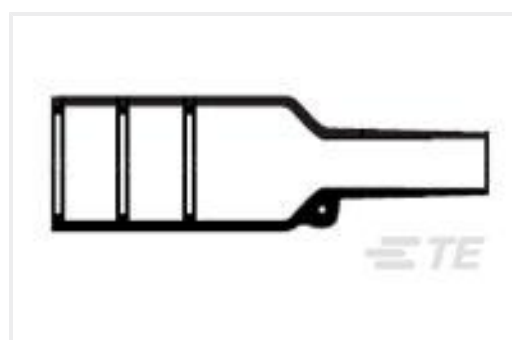
Customers Also Bought



TE Part #801003-SF
FN9260B-10-06



TE Part #800600-SF
FN2020-1-06



TE Part #843921-000
202K174-3-0



TE Part #ASA014N00410100000
623 PLUG, SPEEDTEC



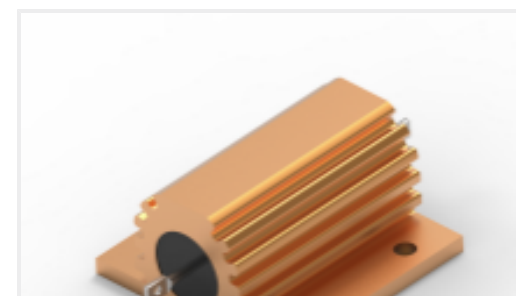
TE Part #CB03434010
RW-200-E-1-0-SP



TE Part #130491
PIDG RING



TE Part #5-1625966-3
HSA10 R20 1%



TE Part #CAT-C339-H85913
Power Resistors: Aluminum Housed, HSA

Documents

[Product Drawings](#)

[THS15 R33 5%](#)

English

[CAD Files](#)



Customer View Model

[ENG_CVM_CVM_1879074-4_BB1.2d_dxf.zip](#)

English

Customer View Model

[ENG_CVM_CVM_1879074-4_BB1.3d_stp.zip](#)

English

3D PDF

3D

Customer View Model

[ENG_CVM_CVM_1879074-4_BB1.3d_igs.zip](#)

English

By downloading the CAD file I accept and agree to the [Terms and Conditions](#) of use.

Datasheets & Catalog Pages

[4-1773460-6_RESISTIVE_SOLUTIONS_RAIL](#)

English

[1309350_PASSIVE_COMPONENT](#)

English

[Aluminium Housed Power Resistors - Type THS Series - Tyco Electronics Passives](#)

English

[8-1773459-4_POWER_FILTERING_AND_RESISTIVE_SOLUTIONS_FOR_ELEVATORS_AND_ESCALATORS](#)

English