

THS10R47J ✓ ACTIVE

CGS | CGS THS

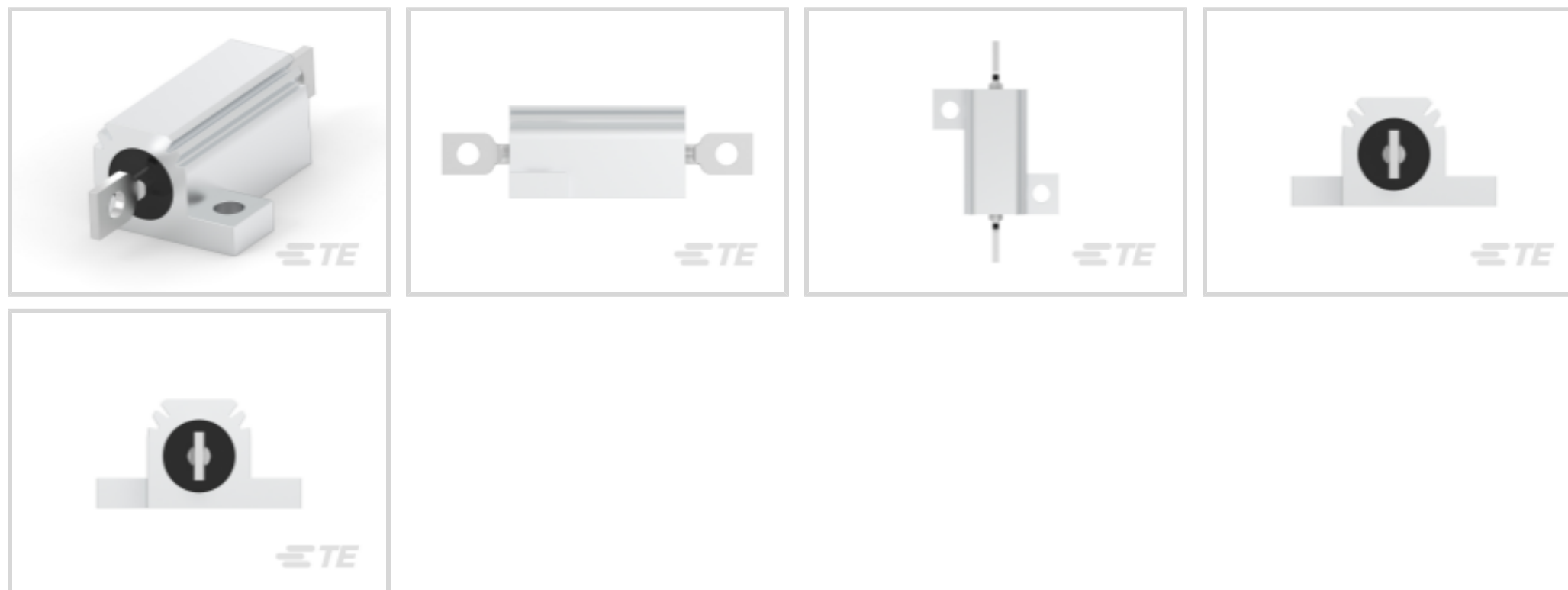
TE Internal #: 1879073-8

.47 ohm, Wire Wound, 5 %, Power Resistor, 10 W, 2 Terminations,
±50 ppm/°C, Solder Lug, Loose Piece - Tray, 9 mm [.354 in] Height,
CGS THS

[View on TE.com >](#)



Passive Components > Resistors > Chassis Mount Resistors > Power Resistor: Aluminum Housed, 75 Watt



Resistor Type: **Power Resistor**

Resistance Class: **Up to 1kΩ**

Resistance Value: **.47 Ω**

Power Rating: **10 W**

Element Type: **Wire Wound**

[All Power Resistor: Aluminum Housed, 75 Watt \(236\)](#)

Features

Product Type Features

Resistor Type	Power Resistor
Element Type	Wire Wound

Configuration Features

Number of Resistors	1
---------------------	---

Electrical Characteristics

Operating Voltage	160 VDC
Resistance Class	Up to 1kΩ
Resistance Value	.47 Ω
Power Rating	10 W
Passive Component Tolerance	5 %

Termination Features

Number of Terminations	2
------------------------	---



Chassis Mount Resistor Termination Type Solder Lug

Mechanical Attachment

Panel Mount Feature Type	Flange with Mounting Holes
--------------------------	----------------------------

Dimensions

Product Height	9 mm[.354 in]
Product Length	30 mm[1.181 in]
Product Width	17 mm[.669 in]

Usage Conditions

Temperature Coefficient	±50 ppm/°C
-------------------------	------------

Packaging Features

Packaging Method	Loose Piece - Tray
------------------	--------------------

Product Compliance

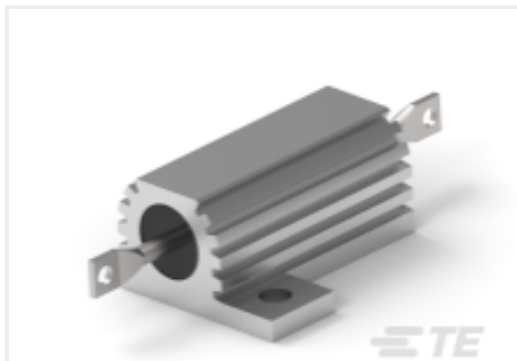
For compliance documentation, visit the product page on TE.com>

EU RoHS Directive 2011/65/EU	Compliant
EU ELV Directive 2000/53/EC	Compliant
China RoHS 2 Directive MIIT Order No 32, 2016	有害物质含量符合标准要求 No Restricted Substance(s) Above Threshold
EU REACH Regulation (EC) No. 1907/2006	Current ECHA Candidate List: JUNE 2025 (250) Candidate List Declared Against: JAN 2025 (247) Does not contain REACH SVHC
Halogen Content	Low Halogen - Br, Cl, F < 900 ppm per homogenous material. Also BFR/CFR/PVC Free
Solder Process Capability	Hand solderable with lead free solder

Product Compliance Disclaimer

This information is provided based on reasonable inquiry of our suppliers and represents our current actual knowledge based on the information they provided. This information is subject to change. The part numbers that TE has identified as EU RoHS compliant have a maximum concentration of 0.1% by weight in homogenous materials for lead, hexavalent chromium, mercury, PBB, PBDE, DBP, BBP, DEHP, DIBP, and 0.01% for cadmium, or qualify for an exemption to these limits as defined in the Annexes of Directive 2011/65/EU (RoHS2). Finished electrical and electronic equipment products will be CE marked as required by Directive 2011/65/EU. Components may not be CE marked. Additionally, the part numbers that TE has identified as EU ELV compliant have a maximum concentration of 0.1% by weight in homogenous materials for lead, hexavalent chromium, and mercury, and 0.01% for cadmium, or qualify for an exemption to these limits as defined in the Annexes of Directive 2000/53/EC (ELV). Regarding the REACH Regulation, the information TE provides on SVHC in articles for this part number is based on the latest European Chemicals Agency (ECHA) 'Guidance on requirements for substances in articles' posted at this URL: <https://echa.europa.eu/guidance-documents/guidance-on-reach>

Compatible Parts

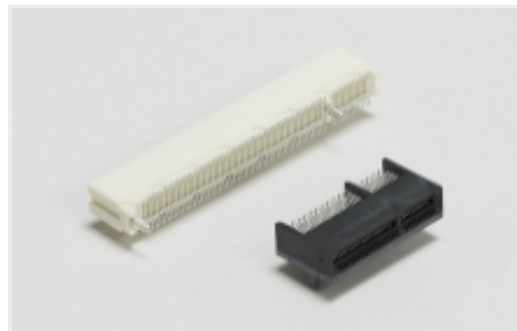


TE Part # CAT-C339-T419
Power Resistor: Aluminum Housed, 75 Watt

Also in the Series | CGS THS



Chassis Mount Resistors(241)



PCI & PCI Express Connectors(8)

Customers Also Bought



TE Part #1-1879074-1
THS15 3R3 5%

Documents

Product Drawings

[THS10 R47 5%](#)

English

CAD Files

[3D PDF](#)

3D

Customer View Model

[ENG_CVM_CVM_1879073-8_BA.2d_dxf.zip](#)

English

Customer View Model

[ENG_CVM_CVM_1879073-8_BA.3d_igs.zip](#)



English

Customer View Model

[ENG_CVM_CVM_1879073-8_BA.3d_stp.zip](#)

English

By downloading the CAD file I accept and agree to the [Terms and Conditions](#) of use.

Datasheets & Catalog Pages

[4-1773460-6_RESISTIVE_SOLUTIONS_RAIL](#)

English

[1309350_PASSIVE_COMPONENT](#)

English

[Aluminium Housed Power Resistors - Type THS Series - Tyco Electronics Passives](#)

English

[8-1773459-4_POWER_FILTERING_AND_RESISTIVE_SOLUTIONS_FOR_ELEVATORS_AND_ESCALATORS](#)

English