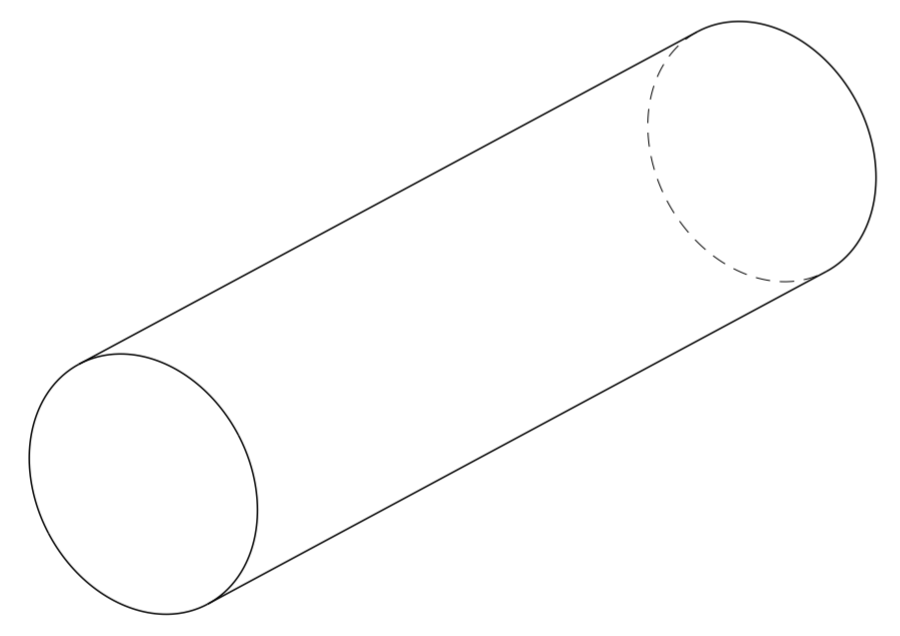
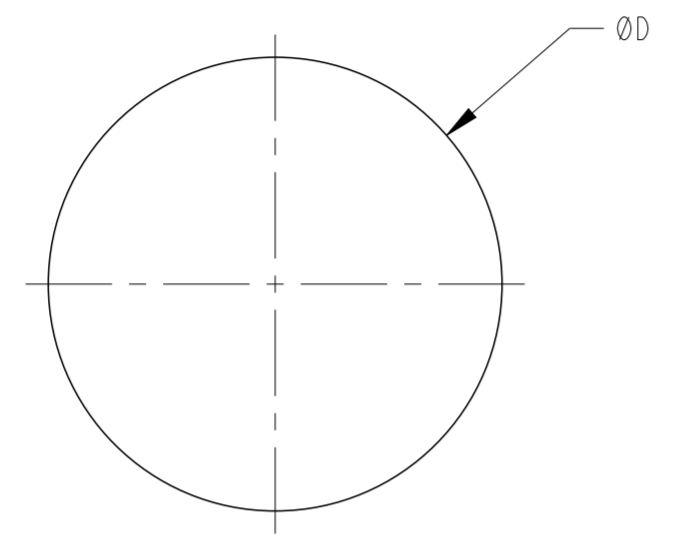


REVISIONS					
P	LTR	DESCRIPTION	DATE	DWN	APVD
	A	NEW DRAWING	01AUG2022	BDA	DH
	A1	MATERIAL GENERIC NAME UPDATED	29MAY2025	CK	SB
	A2	NEW SIZE ADDED	03DEC2025	CK	SB



ISOMETRIC VIEW (NTS)

25000	8.0	STAINLESS STEEL (S/S+)	116-0080	2537311-1
25000	4.8	STAINLESS STEEL (S/S+)	116-0048	2423838-1
25000	3.2	STAINLESS STEEL (S/S+)	116-0032	2423837-1
25000	2.4	STAINLESS STEEL (S/S+)	116-0024	2423836-1
25000	4.8	TIN PLATED COPPER CLAD STEEL (TCS)	114-0048	2423835-1
25000	3.2	TIN PLATED COPPER CLAD STEEL (TCS)	114-0032	2423834-1
25000	2.4	TIN PLATED COPPER CLAD STEEL (TCS)	114-0024	2423833-1
25000	4.8	NICKEL-COPPER ALLOY 400 WIRE (MON)	112-0048	2423832-1
25000	3.2	NICKEL-COPPER ALLOY 400 WIRE (MON)	112-0032	2423831-1
25000	2.4	NICKEL-COPPER ALLOY 400 WIRE (MON)	112-0024	2423830-1
250	4.8	STAINLESS STEEL (S/S+)	116-0048-S	2423782-1
250	3.2	STAINLESS STEEL (S/S+)	116-0032-S	2423781-1
250	2.4	STAINLESS STEEL (S/S+)	116-0024-S	2423780-1
250	4.8	TIN PLATED COPPER CLAD STEEL (TCS)	114-0048-S	2423779-1
250	3.2	TIN PLATED COPPER CLAD STEEL (TCS)	114-0032-S	2423778-1
250	2.4	TIN PLATED COPPER CLAD STEEL (TCS)	114-0024-S	2423777-1
250	4.8	NICKEL-COPPER ALLOY 400 WIRE (MON)	112-0048-S	2423776-1
250	3.2	NICKEL-COPPER ALLOY 400 WIRE (MON)	112-0032-S	2423774-1
250	2.4	NICKEL-COPPER ALLOY 400 WIRE (MON)	112-0024-S	2423773-1
L	ØD±0.8	MATERIAL	ALIAS PART NUMBER	PART NUMBER

THIS DRAWING IS A CONTROLLED DOCUMENT.

DWN BASAVARAJA D A 01AUG2022		NAME 11X - ROUND SOLID KNITTED WIRE MESH		
CHK B SELVAPANDIAN 01AUG2022		PRODUCT SPEC		
APVD D. HEMMINGS 01AUG2022		SIZE A2	CAGE CODE -	DRAWING NO ROUND-KNITTED-MESH
		WEIGHT -	SCALE 25:1	SHEET 1 OF 1

MATERIAL: SEE TABLE

RESTRICTED TO: -

CUSTOMER DRAWING

REV A2