

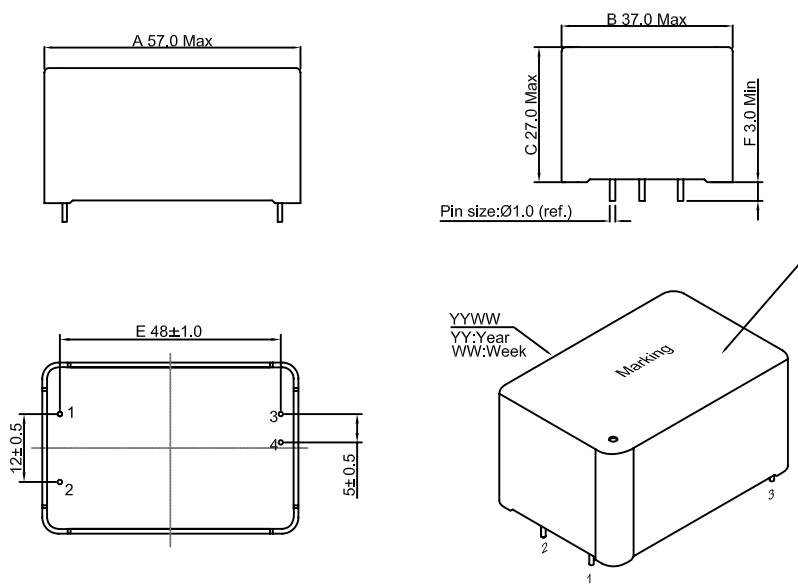
# Switch Mode Power Module 10W Single Output

PAGE REV	DESCRIPTION	DATE	BY
A0	CREATED	2011-09-21	Lance
A1	Modified	2012-11-27	ye
A2	Modified	2012-11-28	ye
A3	Modified	2014-02-07	Dana
A4	Modified	2016-01-28	Wei

## 1. ELECTRICAL SPECIFICATIONS:

Model NO.	ZP10S 0300W	ZP10S 0500W	ZP10S 0600W	ZP10S 0700W	ZP10S 0800W	ZP10S 0900W	ZP10S 1000W	ZP10S 1200W	ZP10S 1500W	ZP10S 1800W	ZP10S 2400W	
Max Output Wattage (W)	10 W											
INPUT	Rated Voltage	100-240VAC										
	Voltage Range	90-264 VAC 47/63Hz										
	Inrush Current (<500us)	25 A max. (100 VAC) / 35 A max. (240 VAC)										
	No Load Losses	0.3W Max										
OUTPUT	Voltage (VDC.)	3.3V	5V	6V	7.5V	8V	9V	10V	12V	15V	18V	24V
	Voltage Accuracy (Full Load)	± 5%		± 3%								
	Current (mA) max	3000	2000	1670	1330	1250	1110	1000	830	660	550	420
	Ripple	≤ 50mV max (Vp-p)										
	Noise	≤ 1% Output Voltage max(Vp-p)										
PROTECTION	Efficiency(Typ)	72% Min (At 110Vac/220Vac Input)										
	OCP (Over Current Protection)	Hiccup mode										
	OVP (Over Voltage Protection)	Hiccup mode										
SCP (Short Circuit Protection)	Hiccup mode											
WEIGHT (TYP)	70g											
SAFETY	Agency Approvals	TUV Approval:Refer to IEC60950-1/EN60950-1,IEC61558-1/EN61558-1,EN61558-2-6,EN61558-2-17										
EMC	EMI (Conducted & Radiated Emission)	Compliance With EN 55022 Class B										
	EMS (Noise Immunity)	Compliance With EN 55024,EN55014-1, EN55014-2,EN61000-3-2 Class A,EN61000-3-3										

## 2. MECHANICAL SPECIFICATIONS:



ZP10S0300W Label:

ZP10S0500W ZP10S0600W ZP10S0700W ZP10S0800W  
ZP10S0900W ZP10S1000W ZP10S1200W ZP10S1500W  
ZP10S1800W ZP10S2400W Label:

NOTICE: The Label "XXXXX" need customer to write about the end user information ,Or Please The customer provide the end user information to us

Bottom View

UNIT	TOLERANCE
MM	X.X = ± 0.5
3RD ANGLE	X.XX = ± 0.3
	ANG = -
SCALE:	DATA
DRAWN: Wei	2016-01-28
CHECKED:	
APPROVED:	

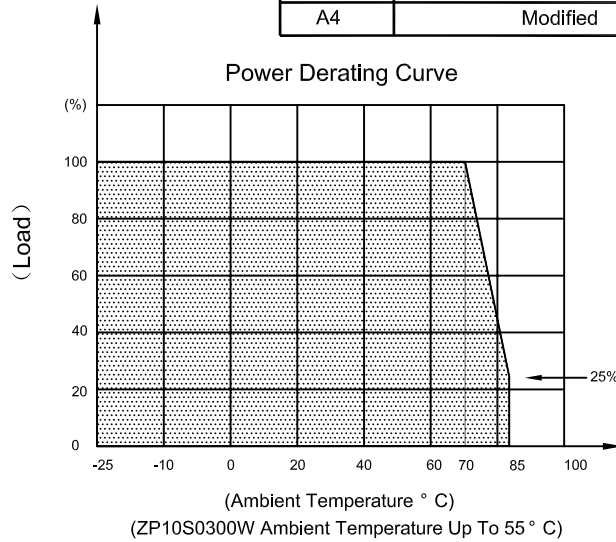
# ZETTLER MAGNETICS

TITLE: 10W SINGLE OUTPUT SWITCH MODE POWER MODULE	
PART NO: <b>ZP10SXX00W</b>	ZM Project: _____ Customers p/n: _____
	SPEC REV: A/4 SH NO 1/2

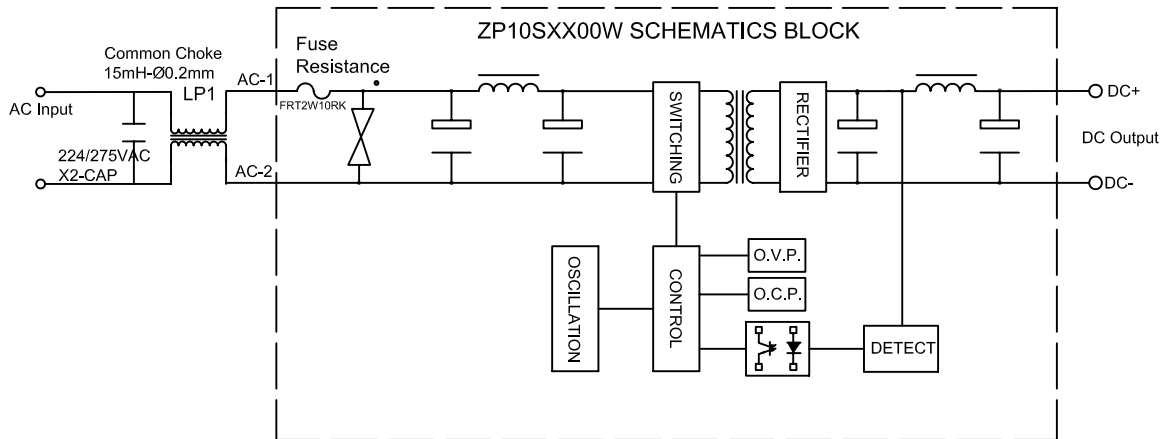
Web: [www.zettlermagnetics.com](http://www.zettlermagnetics.com)  
E-mail: [sales@zettlermagnetics.com](mailto:sales@zettlermagnetics.com)

PAGE REV	DESCRIPTION	DATE	BY
A0	CREATED	2011-09-21	Lance
A1	Modified	2012-11-27	ye
A2	Modified	2012-11-28	ye
A3	Modified	2014-02-07	Dana
A4	Modified	2016-01-28	Wei

### 3. DERATING:



### 4. SCHEMATIC DIAGRAM:



### 5. ELECTRICAL TABLE:

ITEM	FULL LOAD CURREN (mA)		LOSS POWER (W)	OUTPUT VOLTAGE(VDC)		OVER POWER PROTECTION		SHORT CIRCUIT PROTECTION	HI-POT VOLTAGE
	Input: 110V 60Hz	Input: 220V 50Hz		Input: 110/60HZ 220V/50Hz	Input: 110V 60Hz	Input: 220V 50Hz			
CONDITION	Input: 110V 60Hz	Input: 220V 50Hz	Input: 110/60HZ 220V/50Hz	Input: 110/60HZ 220V/50Hz		Input: 110V 60Hz	Input: 220V 50Hz	Input: 220V/50Hz	5mA/ 2s/50Hz
TERMINAL	1--2	1--2	1--2	3--4		3--4	3--4	3--4	P--S
				0mA	mA				
STANDARD	250mA MAX	150mA MAX	0.3W MAX	±3%(3.3V±5%)	±3%(3.3V±5%)	≤ A	≤ A	Hiccup mode	4200V

UNIT MM	TOLERANCE X.X = ± 0.5 X.XX = ± 0.3 ANG = -
3RD ANGLE 	
SCALE:	DATA
DRAWN: Wei	2016-01-28
CHECKED:	
APPROVED:	

# ZETTLER MAGNETICS

TITLE: 10W SINGLE OUTPUT SWITCH MODE POWER MODULE	
PART NO: <b>ZP10SXX00W</b>	ZM Project: Customers p/n:
	SPEC REV: A/4 SH NO 2/2

Web: [www.zettlermagnetics.com](http://www.zettlermagnetics.com)  
E-mail: [sales@zettlermagnetics.com](mailto:sales@zettlermagnetics.com)