



ZHD-SCE

TE Internal #: EC9859-000

Printable Tubing, Ladder, Fluid Resistant & Low Fire Hazard, 2:1 Shrink Ratio, Yellow, 1 Prescore, Markers per Sleeve 2, Length 1 in [25 mm], ZHD-SCE

[View on TE.com >](#)

Identification & Labeling > Printable Tubing > Fluid Resistant Sleeves, ZHD-SCE



Printable Tubing Type: **Ladder**

Printable Tubing Grade: **Fluid Resistant & Low Fire Hazard**

Shrink Ratio: **2:1**

Primary Product Color: **Yellow**

Number of Prescores: **1**

[All Fluid Resistant Sleeves, ZHD-SCE \(88\)](#)

Features

Product Type Features

Printable Tubing Type	Ladder
Printable Tubing Grade	Fluid Resistant & Low Fire Hazard

Body Features

Shrink Ratio	2:1
Primary Product Color	Yellow
Markers per Sleeve	2

Dimensions

Product Length	25 mm[1 in]
Expanded Inside Diameter (Min)	12.7 mm[.5 in]
Recovered Inside Diameter (Max)	6.3 mm[.25 in]
Compatible Cable Diameter Range	6.9 – 10.7 mm[.26 – .449 in]

Usage Conditions

Operating Temperature Range	-55 – 135 °C[-67 – 275 °F]
-----------------------------	----------------------------

Printer/Label Features

Printer Technology	Thermal Transfer
--------------------	------------------



Number of Prescores 1

Packaging Features

Packaging Quantity 1000

Product Compliance

[For compliance documentation, visit the product page on TE.com>](#)

EU RoHS Directive 2011/65/EU Compliant

EU ELV Directive 2000/53/EC Compliant

China RoHS 2 Directive MIIT Order No 32, 2016 No Restricted Materials Above Threshold

EU REACH Regulation (EC) No. 1907/2006
 Current ECHA Candidate List: JUNE 2023 (235)
 Candidate List Declared Against: JUNE 2023 (235)
 Does not contain REACH SVHC

Halogen Content Low Halogen - Br, Cl, F, I < 900 ppm per homogenous material. Also BFR/CFR/PVC Free

Solder Process Capability Not applicable for solder process capability

Product Compliance Disclaimer

This information is provided based on reasonable inquiry of our suppliers and represents our current actual knowledge based on the information they provided. This information is subject to change. The part numbers that TE has identified as EU RoHS compliant have a maximum concentration of 0.1% by weight in homogenous materials for lead, hexavalent chromium, mercury, PBB, PBDE, DBP, BBP, DEHP, DIBP, and 0.01% for cadmium, or qualify for an exemption to these limits as defined in the Annexes of Directive 2011/65/EU (RoHS2). Finished electrical and electronic equipment products will be CE marked as required by Directive 2011/65/EU. Components may not be CE marked. Additionally, the part numbers that TE has identified as EU ELV compliant have a maximum concentration of 0.1% by weight in homogenous materials for lead, hexavalent chromium, and mercury, and 0.01% for cadmium, or qualify for an exemption to these limits as defined in the Annexes of Directive 2000/53/EC (ELV). Regarding the REACH Regulation, the information TE provides on SVHC in articles for this part number is based on the latest European Chemicals Agency (ECHA) 'Guidance on requirements for substances in articles' posted at this URL: <https://echa.europa.eu/guidance-documents/guidance-on-reach>

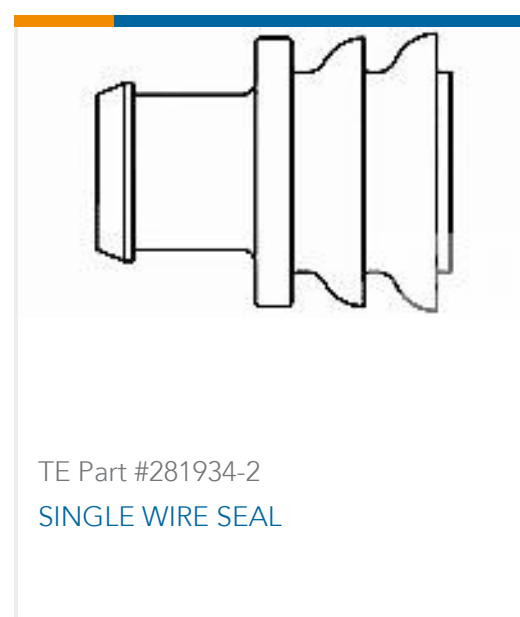
Compatible Parts



Also in the Series | ZHD-SCE



Customers Also Bought



Documents

Product Drawings

ZHD-SCE-1K-12.7-50-S1-4

English

Datasheets & Catalog Pages

IDENTIFICATION SELECTION GUIDE

English

TTDS for ZHD-SCE, LOW FIRE HAZARD, DIESEL RESISTANT

English

Product Specifications

Product Specification

English

IDENTIFICATION PRINTER PRODUCT RIBBON MATRIX

English

Instruction Sheets



[Instruction Sheet \(non U.S.\)](#)

English