



Identification & Labeling > Printable Tubing > Fluid Resistant Sleeves, ZHD-SCE



Printable Tubing Type: **Ladder**

Printable Tubing Grade: **Low Fire Hazard**

Shrink Ratio: **2:1**

Primary Product Color: **Yellow**

Markers per Sleeve: **1**

[All Fluid Resistant Sleeves, ZHD-SCE \(88\)](#)

## Features

### Product Type Features

Printable Tubing Type	Ladder
Printable Tubing Grade	Low Fire Hazard

### Body Features

Shrink Ratio	2:1
Primary Product Color	Yellow
Markers per Sleeve	1

### Dimensions

Product Length	50 mm[2 in]
Expanded Inside Diameter (Min)	19 mm[.75 in]
Recovered Inside Diameter (Max)	9.53 mm[.375 in]
Compatible Cable Diameter Range	10.16 – 16.25 mm[.4 – .64 in]

### Usage Conditions

Operating Temperature Range	-55 – 125 °C[-67 – 257 °F]
-----------------------------	----------------------------

### Printer/Label Features

Printer Technology	Thermal Transfer
--------------------	------------------



### Packaging Features

Packaging Quantity	250
--------------------	-----

### Product Compliance

[For compliance documentation, visit the product page on TE.com>](#)

EU RoHS Directive 2011/65/EU	Compliant
EU ELV Directive 2000/53/EC	Compliant
China RoHS 2 Directive MIIT Order No 32, 2016	No Restricted Materials Above Threshold
EU REACH Regulation (EC) No. 1907/2006	Current ECHA Candidate List: JUNE 2023 (235) Candidate List Declared Against: JUNE 2023 (235) Does not contain REACH SVHC
Halogen Content	Low Halogen - Br, Cl, F, I < 900 ppm per homogenous material. Also BFR/CFR/PVC Free
Solder Process Capability	Not applicable for solder process capability

#### Product Compliance Disclaimer

This information is provided based on reasonable inquiry of our suppliers and represents our current actual knowledge based on the information they provided. This information is subject to change. The part numbers that TE has identified as EU RoHS compliant have a maximum concentration of 0.1% by weight in homogenous materials for lead, hexavalent chromium, mercury, PBB, PBDE, DBP, BBP, DEHP, DIBP, and 0.01% for cadmium, or qualify for an exemption to these limits as defined in the Annexes of Directive 2011/65/EU (RoHS2). Finished electrical and electronic equipment products will be CE marked as required by Directive 2011/65/EU. Components may not be CE marked. Additionally, the part numbers that TE has identified as EU ELV compliant have a maximum concentration of 0.1% by weight in homogenous materials for lead, hexavalent chromium, and mercury, and 0.01% for cadmium, or qualify for an exemption to these limits as defined in the Annexes of Directive 2000/53/EC (ELV). Regarding the REACH Regulation, the information TE provides on SVHC in articles for this part number is based on the latest European Chemicals Agency (ECHA) 'Guidance on requirements for substances in articles' posted at this URL: <https://echa.europa.eu/guidance-documents/guidance-on-reach>

### Compatible Parts

 <p>TE Part # 1-2186500-1 T3212-PRINTER</p>	 <p>TE Part # 1-2186503-1 T3224-SWARE-PRINTER</p>	 <p>TE Part # 1-2186501-1 T3212-SWARE-PRINTER</p>	 <p>TE Part # 1-2186502-1 T3224-PRINTER</p>
--	--	--	--

### Also in the Series | ZHD-SCE



Printable Tubing(88)

## Customers Also Bought



TE Part #DT04-2P  
REC, 2P, GRY, N



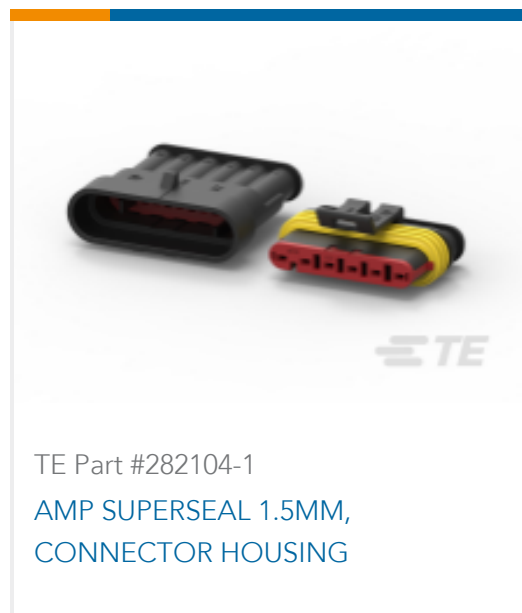
TE Part #DT06-2S  
PLG, 2P, GRY, N



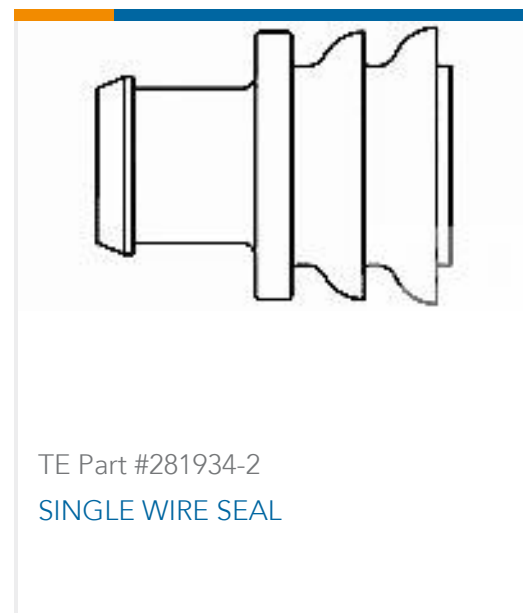
TE Part #W2S  
Wedgelocks: DEUTSCH DT



TE Part #0462-201-16141  
DEUTSCH Solid Contacts



TE Part #282104-1  
AMP SUPERSEAL 1.5MM,  
CONNECTOR HOUSING



TE Part #281934-2  
SINGLE WIRE SEAL

## Documents

### Product Drawings

ZHD-SCE-19.0-50-4

English

### Datasheets & Catalog Pages

TTDS for ZHD-SCE, LOW FIRE HAZARD, DIESEL RESISTANT

English

### Product Specifications

Product Specification

English

IDENTIFICATION PRINTER PRODUCT RIBBON MATRIX

English

### Instruction Sheets

Instruction Sheet (non U.S.)

English

