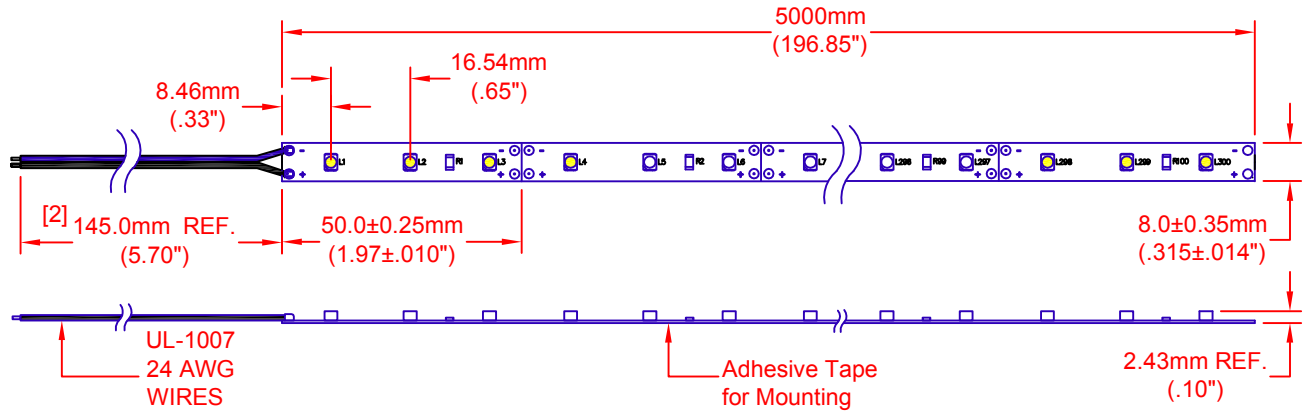


LED FLEX RIBBON

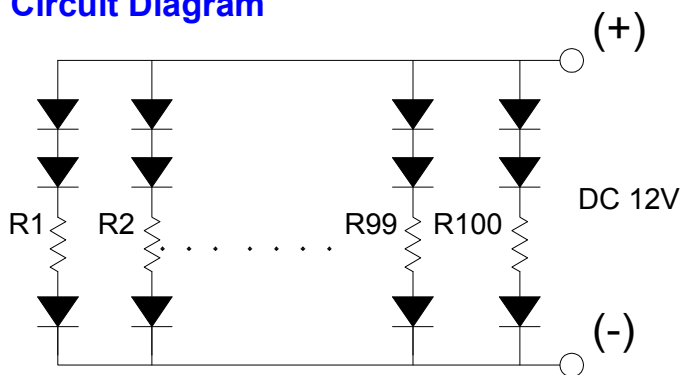
Dimensions



Electro-Optical Characteristics (Ta = 25°C)

JKL Part Number	Color	Number of LED's	Input Voltage (V DC)	Power (W)	Current (mA)	Radiance Angle	CCT (K)	Lumen Flux (lm)
ZFS-8500-CW	Cool White	300	12	21.60	1800	120°	6000	1092
ZFS-8500-NW	Neutral White	300	12	21.60	1800	120°	4100	1014
ZFS-8500-WW	Warm White	300	12	21.60	1800	120°	3050	936

Circuit Diagram



JKL COMPONENTS CORPORATION

DRAWING NO.

ZFS-8500 MULTI

RELEASED DATE

8/18/10

REVISION DATE

6/13/14

REV. NO. G

SHEET 2 OF 2