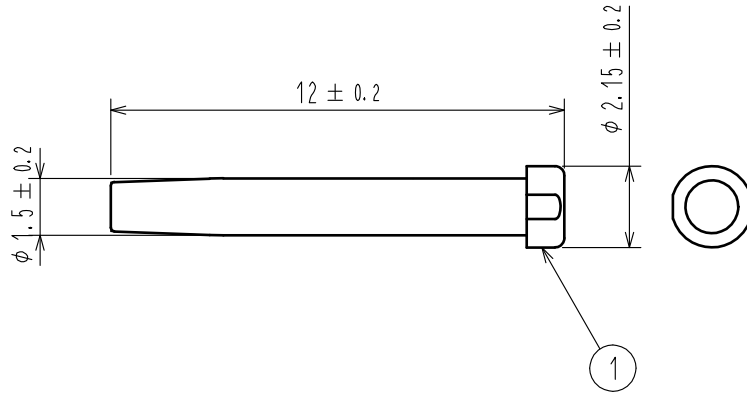
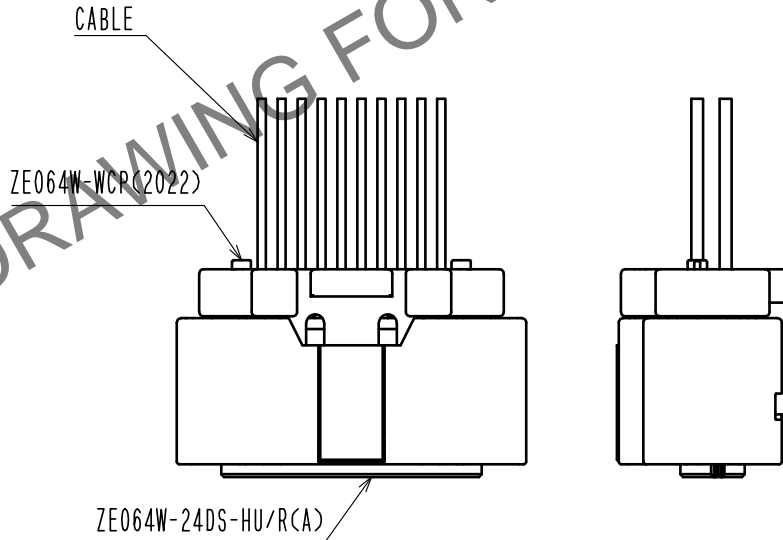


Dec.1.2024 Copyright 2024 HIROSE ELECTRIC CO., LTD. All Rights Reserved.  
 In case of consideration for using Automotive equipment / device which demand high reliability, kindly contact our sales window correspondents.

ELV. RoHS COMPLIANT



WITH WATERPROOF CAP INSERTED (FREE)



NOTE 1. 1,000 PCS/PACK.

| 1                         | PBT      | BROWN          |                |                          |             |                  |         |      |
|---------------------------|----------|----------------|----------------|--------------------------|-------------|------------------|---------|------|
| NO.                       | MATERIAL | FINISH .       | REMARKS        | NO.                      | MATERIAL    | FINISH .         | REMARKS |      |
| UNITS<br>mm               |          | SCALE<br>5 : 1 | COUNT<br>      | DESCRIPTION OF REVISIONS |             | DESIGNED         | CHECKED | DATE |
| HIROSE ELECTRIC CO., LTD. |          | APPROVED       | ·HK. UMEHARA   | 18.03.23                 | DRAWING NO. | EDC-374261-00-00 |         |      |
|                           |          | CHECKED        | ·HH. TSUKUMO   | 18.03.23                 | PART NO.    | ZE064W-WCP(2022) |         |      |
|                           |          | DESIGNED       | ·AS. SHIBAHARA | 18.03.23                 | CODE NO.    | CL753-2007-0-00  |         | 1/1  |
|                           |          | DRAWN          | ·SK. HANAWA    | 18.03.23                 |             |                  |         |      |