

# DTS24W09-98PN [V001] ✓ ACTIVE

DEUTSCH | DEUTSCH 38999 Series III

TE Internal #: YDTS24W09-98PNV001

Standard Circular Connectors, Cable-to-Panel, 3 Position, Sealable, Wire & Cable, Signal, Panel Mount, Cadmium, O.D., Aluminum 6061-T6

[View on TE.com >](#)



Connectors > Circular Connectors > Standard Circular Connectors > Jam Nut: D38999, 09-98 Insert



Connector System: **Cable-to-Panel**

Number of Positions: **3**

Sealable: **Yes**

Connector & Contact Terminates To: **Wire & Cable**

Contact Current Rating (Max): **7.5 A**

[All Jam Nut: D38999, 09-98 Insert \(20\)](#)

## Features

### Product Type Features

Product Type	Connector Assembly
Connector System	Cable-to-Panel
Sealable	Yes
Connector & Contact Terminates To	Wire & Cable
Circular Connector Type	Receptacle
Shell Type	Jam Nut Receptacle

### Configuration Features

Number of Positions	3
Number of Power Positions	0
Number of Signal Positions	3
Contacts Preloaded	No

### Body Features

Shell Plating Material	Cadmium, O.D.
Shell Base Material	Aluminum 6061-T6
Circular Connector Insulation Material Type	Hard Dielectric/Silicone
Hermetically Sealed	No



### Contact Features

Contact Current Rating (Max)	7.5 A
Reverse Gender	No
Contact Layout Arrangement	9 – 98
Circular Connector Contact Type	Pin

### Mechanical Attachment

Connector Mounting Type	Panel Mount
Polarization Code	N
Mating Alignment Type	Keyed
Mating Retention	With

### Housing Features

Circular Connector Shell Size	9
Alignment Keyed	Clocking

### Dimensions

Wire Size	.2 – .52 mm <sup>2</sup>
-----------	--------------------------

### Usage Conditions

Operating Temperature Range	-65 – 200 °C[-85 – 392 °F]
-----------------------------	----------------------------

### Operation/Application

Circuit Application	Signal
Shielded	Yes

### Product Compliance

[For compliance documentation, visit the product page on TE.com>](#)

EU RoHS Directive 2011/65/EU	Not Compliant
EU ELV Directive 2000/53/EC	Not Compliant
China RoHS 2 Directive MIIT Order No 32, 2016	Restricted Materials Above Threshold
EU REACH Regulation (EC) No. 1907/2006	Current ECHA Candidate List: JUNE 2023 (235) Candidate List Declared Against: JUNE 2022 (224) SVHC > Threshold: Cd (2.6% in Plating) Pb (1.2% in Pin Copper Alloy)

#### Article Safe Usage Statements:

Use personal protective equipment as required. Do not eat, drink or smoke when using this product. Wash thoroughly after handling. Recycle if possible and dispose of the article by following all applicable governmental regulations relevant to your geographic location.

Halogen Content

Not Yet Reviewed for halogen content

Solder Process Capability

Not reviewed for solder process capability

Product Compliance Disclaimer


This information is provided based on reasonable inquiry of our suppliers and represents our current actual knowledge based on the information they provided. This information is subject to change. The part numbers that TE has identified as EU RoHS compliant have a maximum concentration of 0.1% by weight in homogenous materials for lead, hexavalent chromium, mercury, PBB, PBDE, DBP, BBP, DEHP, DIBP, and 0.01% for cadmium, or qualify for an exemption to these limits as defined in the Annexes of Directive 2011/65/EU (RoHS2). Finished electrical and electronic equipment products will be CE marked as required by Directive 2011/65/EU. Components may not be CE marked. Additionally, the part numbers that TE has identified as EU ELV compliant have a maximum concentration of 0.1% by weight in homogenous materials for lead, hexavalent chromium, and mercury, and 0.01% for cadmium, or qualify for an exemption to these limits as defined in the Annexes of Directive 2000/53/EC (ELV). Regarding the REACH Regulation, the information TE provides on SVHC in articles for this part number is based on the latest European Chemicals Agency (ECHA) 'Guidance on requirements for substances in articles' posted at this URL: <https://echa.europa.eu/guidance-documents/guidance-on-reach>

## Compatible Parts



TE Part # CAT-D38999-DTS23H  
D38999: Straight Plug, 09-98 Insert

## Also in the Series | DEUTSCH 38999 Series III

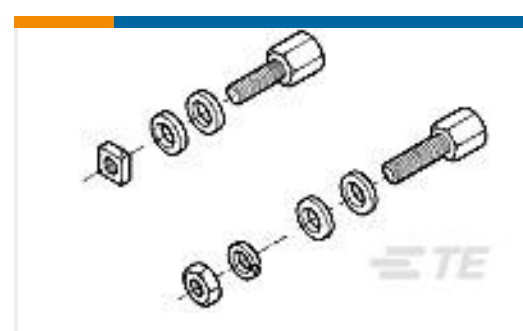


Standard Circular Connectors(9206)

## Customers Also Bought



TE Part #3-1825910-1  
FSM16JH=6MM TACT SWITCH, HIGH TEMP



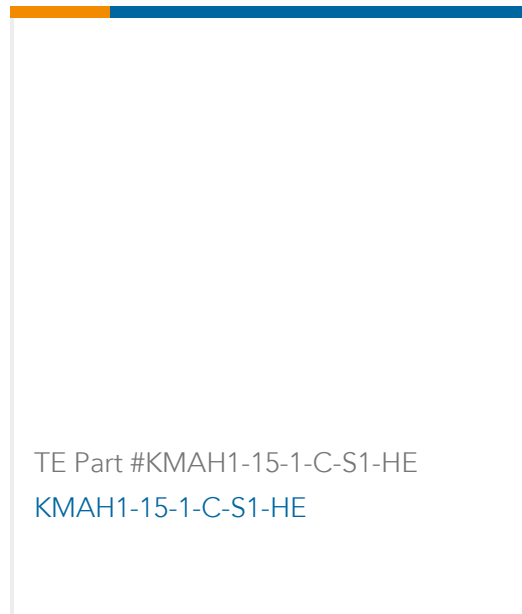
TE Part #212452-1  
SCREWLOCK,FEMALE NON-MAG



TE Part #1437664-4  
NC6-P107-02=NC6 ASSEMBLY



TE Part #1616029-3  
B233P=RELAY



## Documents

### Product Drawings

[RECP ASSY](#)

English

### CAD Files

[3D PDF](#)

3D

Customer View Model

[ENG\\_CVM\\_CVM\\_YDTS24W09-98PNV001\\_99.2d\\_dxf.zip](#)

English

Customer View Model

[ENG\\_CVM\\_CVM\\_YDTS24W09-98PNV001\\_99.3d\\_igs.zip](#)

English

Customer View Model

[ENG\\_CVM\\_CVM\\_YDTS24W09-98PNV001\\_99.3d\\_stp.zip](#)

English

By downloading the CAD file I accept and agree to the [Terms and Conditions](#) of use.

### Datasheets & Catalog Pages

[DEUTSCH DTS Series Connectors for 38999 QRG](#)

English