



DEUTSCH | DEUTSCH 369

TE Internal #: YD369-R99-AP000000

Standard Rectangular Connectors, Connector Assembly, Receptacle, Mating Alignment, Keyed Mating Alignment Type, Mating Retention, Crimp, DEUTSCH 369

[View on TE.com >](#)

Connectors > Rectangular Connectors > Standard Rectangular Connectors > Rectangular Connectors, 9 Way Receptacle



Connector Product Type: **Connector Assembly**

Connector & Housing Type: **Receptacle**

Mating Alignment: **With**

Mating Alignment Type: **Keyed**

Mating Retention: **With**

[All Rectangular Connectors, 9 Way Receptacle \(23\)](#)

Features

Product Type Features

| | |
|-----------------------------------|--------------------|
| Connector Seal & Plug Type | Triple-Seal |
| Connector Shell Size | 09 |
| Connector Product Type | Connector Assembly |
| Connector & Housing Type | Receptacle |
| Connector System | Wire-to-Wire |
| Insertion Force Type | Normal |
| Sealable | Yes |
| Connector & Contact Terminates To | Wire & Cable |

Configuration Features

| | |
|---------------------------|-----|
| Number of Cavities | 9 |
| Contacts Preloaded | Yes |
| Number of Power Positions | 9 |
| Number of Columns | 3 |
| Number of Positions | 9 |
| Number of Rows | 3 |

Electrical Characteristics



| | |
|-------------------|---------|
| Operating Voltage | 400 VAC |
|-------------------|---------|

Body Features

| | |
|-------------------------|--------------------------------|
| Connector Seal Color | Natural |
| Seal Type | Grommet Seal, Interfacial Seal |
| Cable Exit Angle | 180° |
| Seal Material | Fluorosilicone |
| Connector & Keying Code | A |

Contact Features

| | |
|----------------------------------|---------|
| Contact Size | Size 22 |
| Contact Type | Pin |
| Contact Retention Within Housing | With |
| Contact Current Rating (Max) | 5 A |

Termination Features

| | |
|------------------------------------|-------|
| Termination Method to Wire & Cable | Crimp |
|------------------------------------|-------|

Mechanical Attachment

| | |
|-----------------------|--------------|
| Mating Alignment | With |
| Mating Alignment Type | Keyed |
| Mating Retention | With |
| Mating Retention Type | Button Latch |

Housing Features

| | |
|--------------------|----------------|
| Shell Material | Composite |
| Housing Material | Composite |
| Housing Color | Red |
| Centerline (Pitch) | 2.54 mm[.1 in] |

Dimensions

| | |
|--------------------------------------|-------------------------------|
| Row-to-Row Spacing | 2.54 mm[.1 in] |
| Compatible Insulation Diameter Range | .71 – 1.37 mm[.028 – .054 in] |

Usage Conditions

| | |
|-----------------------------|----------------------------|
| Operating Temperature Range | -55 – 175 °C[-67 – 347 °F] |
|-----------------------------|----------------------------|

Operation/Application

| | |
|---------------------|----------------|
| Shielded | No |
| Circuit Application | Power & Signal |



Product Compliance

[For compliance documentation, visit the product page on TE.com>](#)

| | |
|---|--|
| EU RoHS Directive 2011/65/EU | Compliant |
| EU ELV Directive 2000/53/EC | Compliant |
| China RoHS 2 Directive MIIT Order No 32, 2016 | No Restricted Materials Above Threshold |
| EU REACH Regulation (EC) No. 1907/2006 | Current ECHA Candidate List: JUNE 2024 (241) Candidate List Declared Against: JUL 2021 (219) Does not contain REACH SVHC |
| Halogen Content | Low Halogen - Br, Cl, F, I < 900 ppm per homogenous material. Also BFR/CFR/PVC Free |
| Solder Process Capability | Reflow solder capable to 245°C |

Product Compliance Disclaimer

This information is provided based on reasonable inquiry of our suppliers and represents our current actual knowledge based on the information they provided. This information is subject to change. The part numbers that TE has identified as EU RoHS compliant have a maximum concentration of 0.1% by weight in homogenous materials for lead, hexavalent chromium, mercury, PBB, PBDE, DBP, BBP, DEHP, DIBP, and 0.01% for cadmium, or qualify for an exemption to these limits as defined in the Annexes of Directive 2011/65/EU (RoHS2). Finished electrical and electronic equipment products will be CE marked as required by Directive 2011/65/EU. Components may not be CE marked. Additionally, the part numbers that TE has identified as EU ELV compliant have a maximum concentration of 0.1% by weight in homogenous materials for lead, hexavalent chromium, and mercury, and 0.01% for cadmium, or qualify for an exemption to these limits as defined in the Annexes of Directive 2000/53/EC (ELV). Regarding the REACH Regulation, the information TE provides on SVHC in articles for this part number is based on the latest European Chemicals Agency (ECHA) 'Guidance on requirements for substances in articles' posted at this URL: <https://echa.europa.eu/guidance-documents/guidance-on-reach>

Compatible Parts



Also in the Series | **DEUTSCH 369**

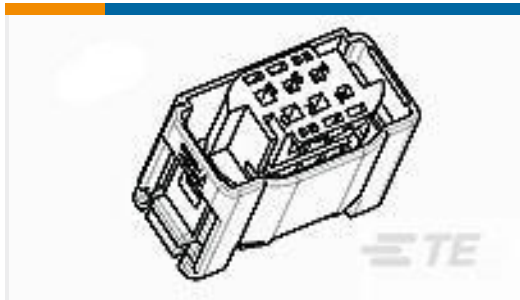


PCB Headers & Receptacles(46)



Standard Rectangular Connectors(403)

Customers Also Bought



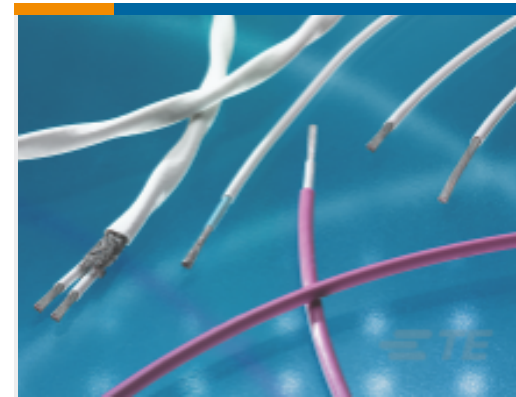
TE Part #1-967640-1
4POS MQS REC COD A



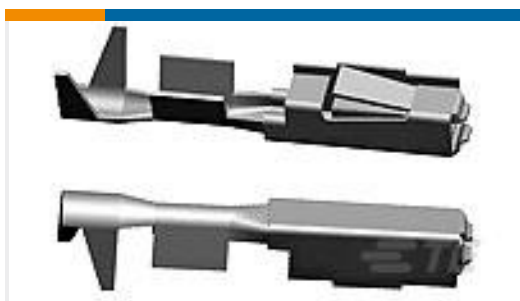
TE Part #38941-22L
CONTACTS



TE Part #216003-005
General Purpose Hookup Wire: Tin Coated Copper Wire, 22 AWG



TE Part #3160343004
General Purpose 2 Core Cable: Tin Coated Copper, 22 AWG



TE Part #5-962885-1
MQS0,63 Sn rec LL EDS 0,2-0,35

Documents

Product Drawings

369 9 WAY REC, NO CONTACTS, PIN

English

CAD Files

3D PDF

3D

Customer View Model

[ENG_CVM_CVM_YD369-R99-AP000000_1.2d_dxf.zip](#)

English

Customer View Model

[ENG_CVM_CVM_YD369-R99-AP000000_1.3d_igs.zip](#)

English

Customer View Model

[ENG_CVM_CVM_YD369-R99-AP000000_1.3d_stp.zip](#)

English

By downloading the CAD file I accept and agree to the [Terms and Conditions](#) of use.

