

# D369-HP99-NS0 ✓ ACTIVE

DEUTSCH | DEUTSCH 369

TE Internal #: YD369-HP99-NS00000

Standard Rectangular Connectors, Connector Assembly, Plug, Mating Alignment, Keyed Mating Alignment Type, Mating Retention, Crimp, DEUTSCH 369

[View on TE.com >](#)



Connectors > Rectangular Connectors > Standard Rectangular Connectors > Rectangular Connectors: Harsh 9-Way Plug



Connector Product Type: **Connector Assembly**

Connector & Housing Type: **Plug**

Mating Alignment: **With**

Mating Alignment Type: **Keyed**

Mating Retention: **With**

[All Rectangular Connectors: Harsh 9-Way Plug \(29\)](#)

## Features

### Product Type Features

Connector Seal & Plug Type	Triple-Seal
Connector Shell Size	09
Connector Product Type	Connector Assembly
Connector & Housing Type	Plug
Connector System	Wire-to-Wire
Insertion Force Type	Normal
Sealable	Yes
Connector & Contact Terminates To	Wire & Cable

### Configuration Features

Number of Cavities	9
Contacts Preloaded	Yes
Number of Power Positions	9
Number of Columns	3
Number of Positions	9
Number of Rows	3

### Electrical Characteristics



Operating Voltage	400 VAC
-------------------	---------

### Body Features

Connector Seal Color	Natural
Seal Type	Grommet Seal, Interfacial Seal
Cable Exit Angle	180°
Seal Material	Fluorosilicone
Connector & Keying Code	N

### Contact Features

Contact Size	Size 22
Contact Type	Socket
Wire Contact Termination Area Plating Material	Gold
Contact Mating Area Plating Material	Gold
Contact Retention Within Housing	With
Contact Current Rating (Max)	5 A

### Termination Features

Termination Method to Wire & Cable	Crimp
------------------------------------	-------

### Mechanical Attachment

Mating Alignment	With
Mating Alignment Type	Keyed
Mating Retention	With
Mating Retention Type	Button Latch

### Housing Features

Shell Material	Composite
Housing Material	Composite
Housing Color	Black
Centerline (Pitch)	2.54 mm[.1 in]

### Dimensions

Row-to-Row Spacing	2.54 mm[.1 in]
Compatible Insulation Diameter Range	.71 – 1.37 mm[.028 – .054 in]

### Usage Conditions

Operating Temperature Range	-55 – 175 °C[-67 – 347 °F]
-----------------------------	----------------------------

### Operation/Application



Shielded	No
Circuit Application	Power & Signal

### Product Compliance

[For compliance documentation, visit the product page on TE.com>](#)

EU RoHS Directive 2011/65/EU	Compliant
EU ELV Directive 2000/53/EC	Compliant
China RoHS 2 Directive MIIT Order No 32, 2016	No Restricted Materials Above Threshold
EU REACH Regulation (EC) No. 1907/2006	Current ECHA Candidate List: JUNE 2024 (241) Candidate List Declared Against: JUNE 2022 (224) Does not contain REACH SVHC
Halogen Content	Low Halogen - Br, Cl, F, I < 900 ppm per homogenous material. Also BFR/CFR/PVC Free
Solder Process Capability	Reflow solder capable to 245°C

#### Product Compliance Disclaimer

This information is provided based on reasonable inquiry of our suppliers and represents our current actual knowledge based on the information they provided. This information is subject to change. The part numbers that TE has identified as EU RoHS compliant have a maximum concentration of 0.1% by weight in homogenous materials for lead, hexavalent chromium, mercury, PBB, PBDE, DBP, BBP, DEHP, DIBP, and 0.01% for cadmium, or qualify for an exemption to these limits as defined in the Annexes of Directive 2011/65/EU (RoHS2). Finished electrical and electronic equipment products will be CE marked as required by Directive 2011/65/EU. Components may not be CE marked. Additionally, the part numbers that TE has identified as EU ELV compliant have a maximum concentration of 0.1% by weight in homogenous materials for lead, hexavalent chromium, and mercury, and 0.01% for cadmium, or qualify for an exemption to these limits as defined in the Annexes of Directive 2000/53/EC (ELV). Regarding the REACH Regulation, the information TE provides on SVHC in articles for this part number is based on the latest European Chemicals Agency (ECHA) 'Guidance on requirements for substances in articles' posted at this URL: <https://echa.europa.eu/guidance-documents/guidance-on-reach>

### Compatible Parts



Also in the Series | **DEUTSCH 369**



PCB Headers & Receptacles(46)

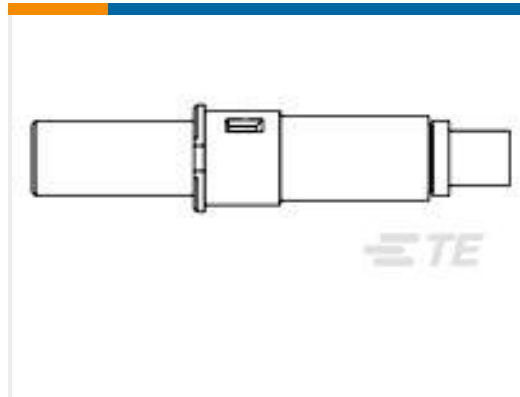


Standard Rectangular Connectors(403)

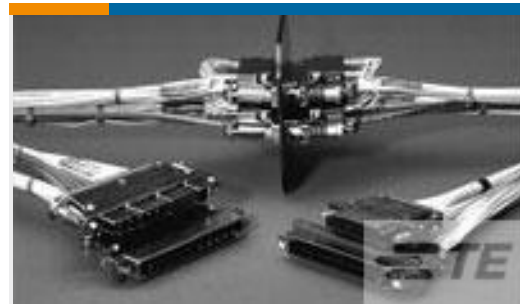
## Customers Also Bought



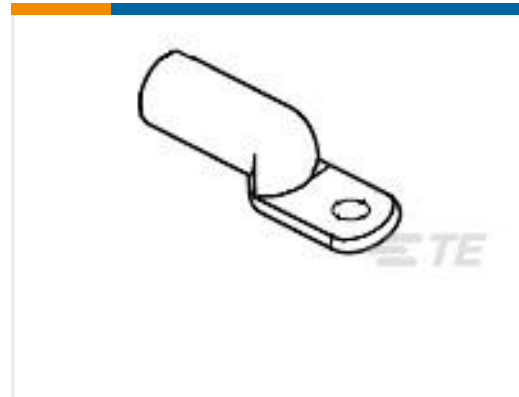
TE Part #YD369-HP99-AS00000  
369 HARSH 9 WAY PLUG, SKT - BACC65CP3SA



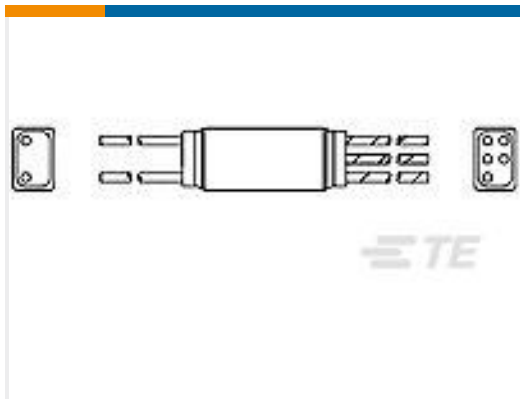
TE Part #1445692-4  
ASY,PIN,QUADRAX



TE Part #513319-000  
MTC100Q-SH2-P22



TE Part #277147-3  
TERMINAL,COPALUM R 8 1/4



TE Part #CM3249-000  
D-500-L456-5-614-120



TE Part #ZPF000000000102762  
787-8055-10M



TE Part #715325N001  
SO63-3-9036-20CS2677



TE Part #881633N001  
SO63-2-9036-22CS2677



TE Part #931289N001  
SO63-2-9036-20CS2677



TE Part #605323-000  
SO63-2-9030CS2677

## Documents

### Product Drawings

[369 HARSH 9 WAY PLUG, SKT - BACC65CP3SN](#)

English

[369 HARSH 9 WAY PLUG, SKT - BACC65CP3SN](#)

English

### CAD Files

[3D PDF](#)

[3D](#)



**Customer View Model**

[ENG\\_CVM\\_CVM\\_YD369-HP99-NS00000\\_AA.2d\\_dxf.zip](#)

English

**Customer View Model**

[ENG\\_CVM\\_CVM\\_YD369-HP99-NS00000\\_AA.3d\\_igs.zip](#)

English

**Customer View Model**

[ENG\\_CVM\\_CVM\\_YD369-HP99-NS00000\\_AA.3d\\_stp.zip](#)

English

By downloading the CAD file I accept and agree to the [Terms and Conditions](#) of use.