

XVR3B05S

Harmony XVR, Illuminated beacon with buzzer, orange, Ø100, 70...90 dB, integral LED, 12...24 V DC



Main

Range of product	Harmony XVR
Product or component type	Beacon
Device short name	XVR3
Beacon or indicator bank unit type	LED unit
Sound signalling	Buzzer: 70...90 dB at 1 m
Mounting diameter	100 mm
Light source	LED, orange
Device application	Forklift Bulldozer Automated guided vehicle (AGV)

Complementary

Signalling type	Rotating Blinking Flashing
Assembly style	Ready assembled
Material	PC (polycarbonate): lenses PBT (polybutylene terephthalate) + PC (polycarbonate): body EPDM (ethylene propylene diene monomer): base
[Us] rated supply voltage	12...24 V DC
[Ue] rated operational voltage	10...30 V DC
Inrush current	3 A
Power consumption in W	3.1 W
Marking	CE
Installation direction	Upright indoor Sideways indoor Inverted indoor Upright outdoor
Electrical insulation class	Class II
Current consumption	3000 mA
Length	100 mm
Width	100 mm
Height	139 mm
Net weight	0.538 kg

Environment

Ambient air temperature for operation	-20...50 °C
Ambient air temperature for storage	-35...70 °C
Relative humidity	35...85 % without condensation
Vibration resistance	4.6 gn (sideways) 4.6 gn (inverted) 7.1 gn (upright)
IP degree of protection	IP23 (sideways) IP23 (inverted) IP23 (upright)

The information provided in this documentation contains general descriptions and/or technical characteristics of the performance of the products contained herein. This documentation is not intended as a substitute for and is not to be used for determining suitability or reliability of these products for specific user applications. It is the duty of any such user or integrator to perform the appropriate and complete risk analysis, evaluation and testing of the products with respect to the relevant specific application or use thereof. Neither Schneider Electric Industries SAS nor any of its affiliates or subsidiaries shall be responsible or liable for misuse of the information contained herein.

Packing Units

Unit Type of Package 1	PCE
Number of Units in Package 1	1
Package 1 Height	13.5 cm
Package 1 Width	13.85 cm
Package 1 Length	18.5 cm
Package 1 Weight	660 g

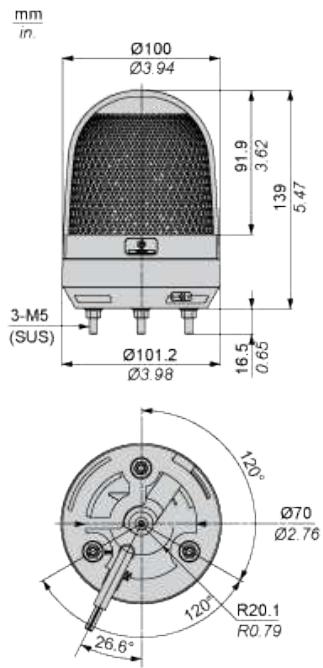
Offer Sustainability

Sustainable offer status	Green Premium product
REACH Regulation	REACH Declaration
EU RoHS Directive	Pro-active compliance (Product out of EU RoHS legal scope) EU RoHS Declaration
Toxic heavy metal free	Yes
Mercury free	Yes
China RoHS Regulation	China RoHS Declaration
RoHS exemption information	Yes
Environmental Disclosure	Product Environmental Profile
Circularity Profile	End Of Life Information

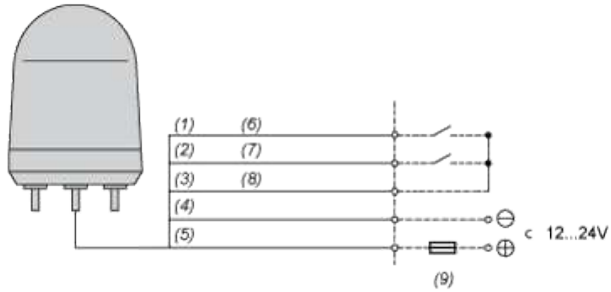
Contractual warranty

Warranty	18 Monate
----------	-----------

Dimensions



Wiring Diagram



- (1) Green
- (2) Red
- (3) Yellow
- (4) Black
- (5) White
- (6) LED
- (7) Buzzer
- (8) Com
- (9) Fuse(Rated Current>2A)