

# XVR3B03

Harmony XVR, Illuminated beacon without buzzer, orange, Ø100, integral LED, 12...24 V DC



## Main

|                                    |   |
|------------------------------------|---|
| Range of product                   | Harmony XVR   |
| Product or component type          | Beacon  |
| Device short name                  | XVR3  |
| Beacon or indicator bank unit type | LED unit  |
| Mounting diameter                  | 100 mm  |
| Light source                       | LED, green  |
| Device application                 | Forklift<br>Bulldozer<br>Automated guided vehicle (AGV) |

## Complementary

|                                |  |
|--------------------------------|--|
| Signalling type                | Flashing<br>Rotating<br>Blinking   |
| Assembly style                 | Ready assembled  |
| Material                       | PC (polycarbonate): lenses<br>PBT (polybutylene terephthalate) + PC (polycarbonate): body<br>EPDM (ethylene propylene diene monomer): base |
| [Us] rated supply voltage      | 12...24 V DC   |
| [Ue] rated operational voltage | 10...30 V DC   |
| Inrush current                 | 3 A  |
| Power consumption in W         | 2.8 W  |
| Marking                        | CE   |
| Installation direction         | Upright indoor<br>Sideways indoor<br>Inverted indoor<br>Upright outdoor  |
| Electrical insulation class    | Class II   |
| Current consumption            | 3000 mA  |
| Length                         | 100 mm   |
| Width                          | 100 mm   |
| Height                         | 139 mm   |
| Net weight                     | 0.484 kg   |

## Environment

|                                       |  |
|---------------------------------------|--|
| Ambient air temperature for operation | -20...50 °C  |
| Ambient air temperature for storage   | -35...70 °C  |
| Relative humidity                     | 35...85 % without condensation                             |
| Vibration resistance                  | 4.6 gn (sideways)<br>4.6 gn (inverted)<br>7.1 gn (upright) |
| IP degree of protection               | IP65 (upright)<br>IP23 (sideways)<br>IP23 (inverted)       |

The information provided in this documentation contains general descriptions and/or technical characteristics of the performance of the products contained herein. This documentation is not intended as a substitute for and is not to be used for determining suitability or reliability of these products for specific user applications. It is the duty of any such user or integrator to perform the appropriate and complete risk analysis, evaluation and testing of the products with respect to the relevant specific application or use thereof. Neither Schneider Electric Industries SAS nor any of its affiliates or subsidiaries shall be responsible or liable for misuse of the information contained herein.

## Packing Units

|                              |          |
|------------------------------|----------|
| Unit Type of Package 1       | PCE      |
| Number of Units in Package 1 | 1        |
| Package 1 Height             | 18.5 cm  |
| Package 1 Width              | 14.3 cm  |
| Package 1 Length             | 13.8 cm  |
| Package 1 Weight             | 3.68 kg  |
| Unit Type of Package 2       | S04      |
| Number of Units in Package 2 | 8        |
| Package 2 Height             | 30.0 cm  |
| Package 2 Width              | 40.0 cm  |
| Package 2 Length             | 60.0 cm  |
| Package 2 Weight             | 29.44 kg |

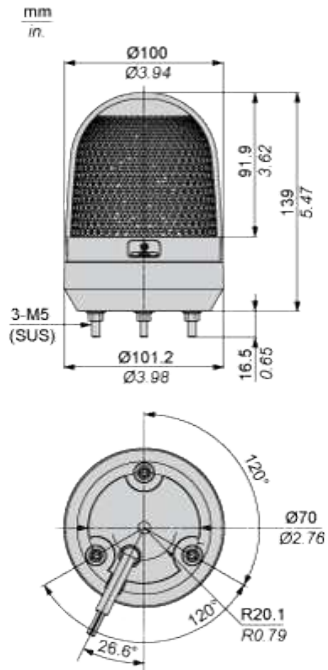
## Offer Sustainability

|                            |   |
|----------------------------|---|
| REACH Regulation           | <a href="#">REACH Declaration</a>   |
| EU RoHS Directive          | Compliant <a href="#">EU RoHS Declaration</a>   |
| Toxic heavy metal free     | Yes   |
| Mercury free               | Yes   |
| China RoHS Regulation      | <a href="#">China RoHS Declaration</a>  |
| RoHS exemption information | <a href="#">Yes</a>   |
| WEEE                       | The product must be disposed on European Union markets following specific waste collection and never end up in rubbish bins |

## Contractual warranty

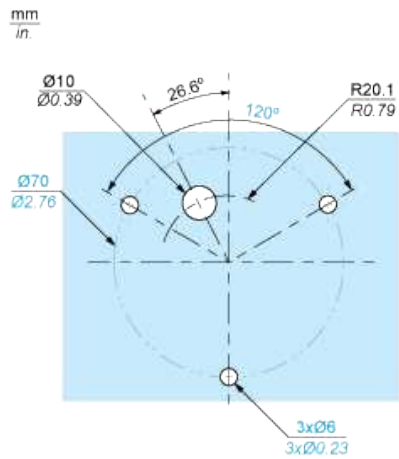
|          |           |
|----------|-----------|
| Warranty | 18 Monate |
|----------|-----------|

Dimensions

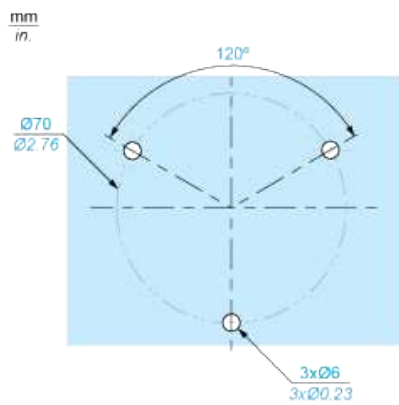


Panel Cut-out

Straight wiring



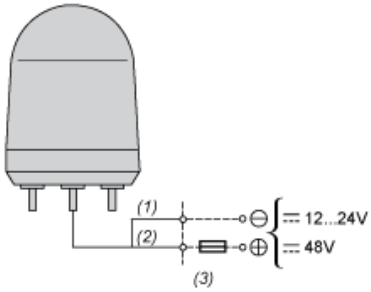
Side wiring



---

Wiring Diagram

---



- (1) Black
- (2) White
- (3) Fuse(Rated Current>2A)