

XS8C4A1MPP20

inductive sensor XS8 40x40x117 - PBT - Sn20
mm - 24..240VAC/DC - terminals



Main

| | |
|------------------------------------|---|
| Range of product | OsiSense XS |
| Series name | General purpose |
| Sensor type | Inductive proximity sensor |
| Device application | - |
| Sensor name | XS8 |
| Sensor design | Form 40 x 40 x 117 |
| Size | 117 mm |
| Body type | Fixed |
| Detector flush mounting acceptance | Flush mountable |
| Material | Plastic |
| Enclosure material | PBT |
| Type of output signal | Discrete |
| Wiring technique | 2-wire |
| [Sn] nominal sensing distance | 20 mm |
| Discrete output function | 1 NO or 1 NC programmable |
| Output circuit type | AC/DC |
| Electrical connection | Screw-clamp terminals, clamping capacity: 4 x 1.5 mm ² |
| [Us] rated supply voltage | 24...240 V AC 50/60 Hz 24...240 V DC |
| Switching capacity in mA | 5...200 mA DC 5...300 mA AC |
| IP degree of protection | IP67 conforming to IEC 60529 IP65 conforming to IEC 60529 IP69K conforming to DIN 40050 |

Complementary

| | |
|-----------------------|---|
| Detection face | 5 positions turret head |
| Front material | PBT |
| Operating zone | 0...16 mm |
| Differential travel | 3...15% of Sr |
| Repeat accuracy | <= 3% of Sr |
| Cable entry number | 1 tapped entry for M20 x 1.5 cable gland |
| Status LED | 1 LED green for supply on 1 LED yellow for output state |
| Supply voltage limits | 20...264 V AC/DC |
| Residual current | <= 1.5 mA for open state 120 V <= 0.6 mA for open state 24 V |
| Switching frequency | <= 25 Hz AC <= 50 Hz DC |
| Voltage drop | <= 5.5 V at closed state |
| Delay first up | <= 7.5 ms |
| Delay response | <= 1.2 ms |
| Delay recovery | <= 1.8 ms |
| Marking | CE |
| Height | 40 mm |

| | |
|----------------|----------|
| Length | 40 mm |
| Width | 117 mm |
| Product weight | 0.244 kg |

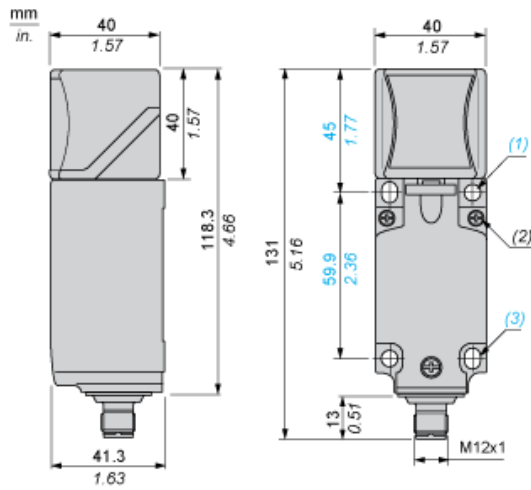
Environment

| | |
|---------------------------------------|---|
| Product certifications | CCC CSA UL |
| Ambient air temperature for operation | -25...70 °C |
| Ambient air temperature for storage | -40...85 °C |
| Vibration resistance | 25 gn amplitude = +/- 2 mm (f = 10...55 Hz) conforming to IEC 60068-2-6 |
| Shock resistance | 50 gn for 11 ms conforming to EN 60068-2-27 |

Offer Sustainability

| | |
|----------------------------------|---|
| Sustainable offer status | Green Premium product |
| RoHS (date code: YYWW) | Compliant - since 1213 - Schneider Electric declaration of conformity |
| REACH | Reference not containing SVHC above the threshold |
| Product environmental profile | Available Download Product Environmental |
| Product end of life instructions | Need no specific recycling operations |

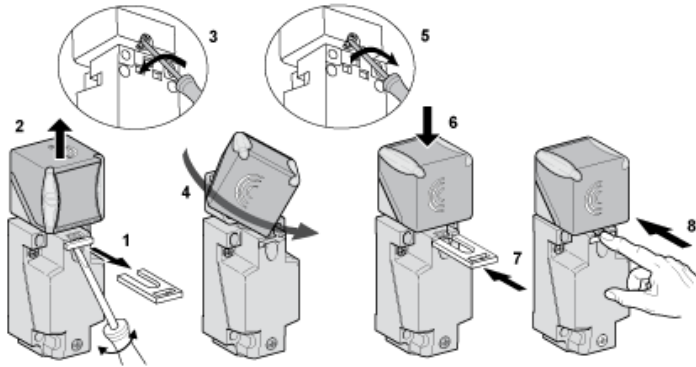
Dimensions



- (1) 2 holes \varnothing 5,45 mm / \varnothing 0.21 in. (Tightening torque: < 1,5 Nm / < 13.3 lb-in.)
- (2) 3 screws M3,5. (Tightening torque: < 1,2 Nm / < 10.6 lb-in.)
- (3) 2 elongated holes 5,4 x 7,4 mm / 0.21 x 0.29 in. (Tightening torque: < 1,5 Nm / < 13.3 lb-in.)

Mounting

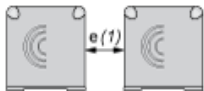
Head Positions



Setting-up Precautions

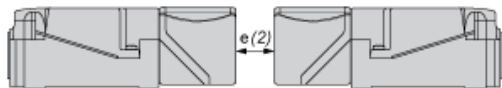
Minimum Mounting Distances (mm)

Side by Side



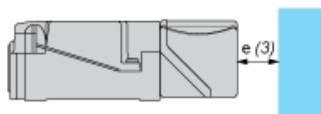
$e(1) \geq 80$

Face to Face



$e(2) \geq 160$

Facing a Metal Object



$e(3) \geq 60$

Wiring Schemes

2-Wire AC or DC (Programmable)

