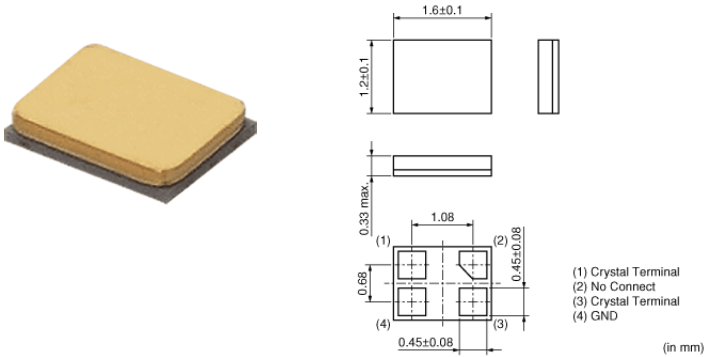


XRCMD38M400FXQ56R0

In Production RoHS REACH

Appearance & Shape



Features

The crystal unit that realized small package and highly accurate frequency.
Based on Murata's excellent package technology and high grade quartz crystal elements, achieving small size and high accuracy resonators.

Features

1. The series is available in the applications to be necessary for high accuracy resonator.
2. The resonator is extremely small size (1612), and contribute to reduction in mounting area.
3. The series complies to RoHS directive, being lead-free (phase 3).

Applications

Other Usage Consumer

Packaging Information

Packaging	Specifications	Minimum Order Quantity
R0	180mm Plastic Tape	3000

Attention

1. This datasheet is downloaded from the website of Murata Manufacturing Co., Ltd. Therefore, its specifications are subject to change or our products in it may be discontinued without advance notice. Please check with our sales representatives or product engineers before ordering.
2. This datasheet has only typical specifications because there is no space for detailed specifications.
Therefore, please review our product specifications or consult the approval sheet for product specifications before ordering.

XRCMD38M400FXQ56R0



Specifications

Product Type	Crystal Unit
Series	XRCMD
Type	MCR1612
Frequency	38.4000MHz
Frequency Tolerance	+/-20ppm max. (Total)
Operating Temperature Range	-30°C to 85°C
Frequency Aging	+/-1ppm max./year
Equivalent Series Resistance (ESR)	60ohm max.
Drive Level (DL)	30μW (100μW max.)
Load Capacitance (Cs)	10pF
Shape	SMD
Wash	Not available (Please be sure to consult with our sales representative or engineer whenever and prior to using the products.)
L x W (size)	1.6x1.2mm

Attention

1.This datasheet is downloaded from the website of Murata Manufacturing Co., Ltd. Therefore, it's specifications are subject to change or our products in it may be discontinued without advance notice. Please check with our sales representatives or product engineers before ordering.

2.This datasheet has only typical specifications because there is no space for detailed specifications.

Therefore, please review our product specifications or consult the approval sheet for product specifications before ordering.