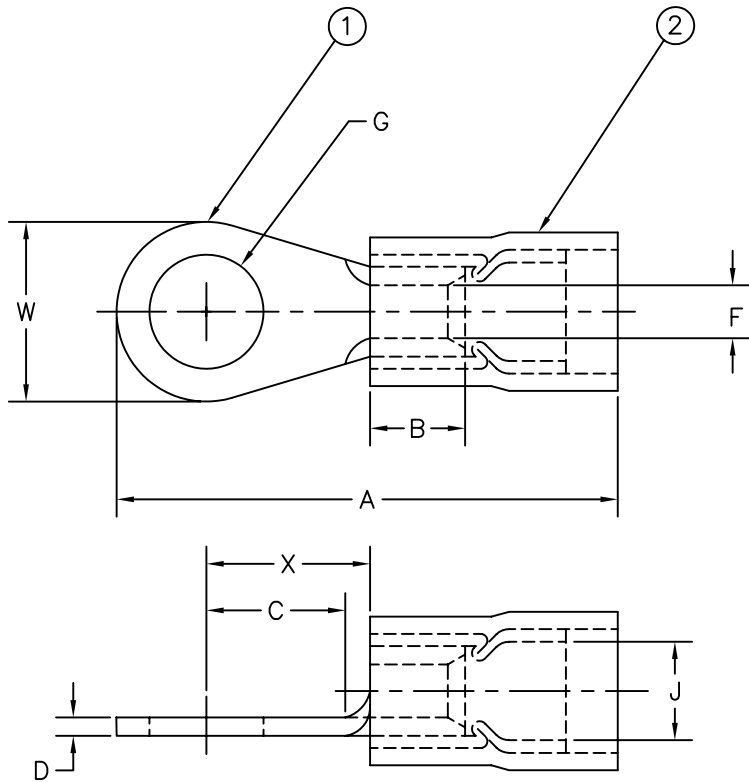


REV.	WAS	REVISION	ECO	BY	APPRV'D	DATE



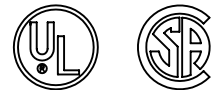
NOTES:


1. MATERIAL: COPPER
2. FINISH: ELECTRO-TIN PLATE
3. TRADEMARK AND WIRE SIZE STAMPED ON TONGUE.
4. SERRATED BARREL.
5. THIS PART IS DESIGNED TO MEET U.L. AND C.S.A. TEST CRITERIA.

CATALOG PART NO.	STUD SIZE	A	B	C	D	F	G	J	W	X	①	②
		MAX	NOM	MIN	NOM	MIN	NOM	MIN	NOM	NOM	SEE NOTES 1 & 2	RED NYLON
XR1857SN	6	.902	.165	.272	.030	.060	.148	.146	.281	.322		

CRIMPING TOOL

LOOSE PIECE	STRIP LENGTH	TAPE MOUNTED	STRIP LENGTH
H7B	9/32	27000B	9/32



<p>UNLESS OTHERWISE SPECIFIED</p> <p>ALL DIMENSIONS IN INCHES</p> <p>COMMERCIAL TOLERANCES APPLY TO ALL STOCK SIZES</p>	DATE	8-26-94	 <p>HOLLINGSWORTH AN ELECTRO-TERM COMPANY</p>			
	DRAWN	PJL				
	CHK'D					
	APPRV'D		TITLE	FIXED INSULATED INSULATION GRIP RING TONGUE TERMINAL - FFIIG		
	RELEASE DATE		WIRE SIZE RANGE:	22-18	PART NO.	XR1857SN
	FINISH	NIT - TIN PLATE	COLOR CODE:	RED	INSULATION:	
	SCALE	NONE	DO NOT SCALE			CD