

**Note:** This product is no longer recommended for new designs. It has been superseded by the XC2C64A, a device with I/O Banking and Pb-free package options.

## Features

- Optimized for 1.8V systems
  - As fast as 4.6 ns pin-to-pin logic delays
  - As low as 15  $\mu$ A quiescent current
- Industries best 0.18 micron CMOS CPLD
  - Optimized architecture for effective logic synthesis
  - Multi-voltage I/O operation — 1.5V to 3.3V
- Available in multiple package options
  - 44-pin PLCC with 33 user I/O
  - 44-pin VQFP with 33 user I/O
  - 56-ball CP BGA with 45 user I/O
  - 100-pin VQFP with 64 user I/O
- Advanced system features
  - Fastest in system programming
    - 1.8V ISP using IEEE 1532 (JTAG) interface
  - IEEE1149.1 JTAG Boundary Scan Test
  - Optional Schmitt-trigger input (per pin)
  - RealDigital™ 100% CMOS product term generation
  - Flexible clocking modes
    - Optional DualEDGE triggered registers
  - Global signal options with macrocell control
    - Multiple global clocks with phase selection per macrocell
    - Multiple global output enables
    - Global set/reset
  - Efficient control term clocks, output enables and set/resets for each macrocell and shared across function blocks
  - Advanced design security
  - Open-drain output option for Wired-OR and LED drive
  - Optional configurable grounds on unused I/Os
  - Optional bus-hold, 3-state or weak pull-up on selected I/O pins
  - Mixed I/O voltages compatible with 1.5V, 1.8V, 2.5V, and 3.3V logic levels
  - PLA architecture
    - Superior pinout retention
    - 100% product term routability across function block
  - Hot pluggable

Refer to the CoolRunner™-II family data sheet for architecture description.

## Description

The CoolRunner-II 64-macrocell device is designed for both high performance and low power applications. This lends power savings to high-end communication equipment and high speed to battery operated devices. Due to the low power stand-by and dynamic operation, overall system reliability is improved

This device consists of four Function Blocks inter-connected by a low power Advanced Interconnect Matrix (AIM). The AIM feeds 40 true and complement inputs to each Function Block. The Function Blocks consist of a 40 by 56 P-term PLA and 16 macrocells which contain numerous configuration bits that allow for combinational or registered modes of operation.

Additionally, these registers can be globally reset or preset and configured as a D or T flip-flop or as a D latch. There are also multiple clock signals, both global and local product term types, configured on a per macrocell basis. Output pin configurations include slew rate limit, bus hold, pull-up, open drain and programmable grounds. A Schmitt trigger input is available on a per input pin basis. In addition to storing macrocell output states, the macrocell registers may be configured as "direct input" registers to store signals directly from input pins.

Clocking is available on a global or Function Block basis. Three global clocks are available for all Function Blocks as a synchronous clock source. Macrocell registers can be individually configured to power up to the zero or one state. A global set/reset control line is also available to asynchronously set or reset selected registers during operation. Additional local clock, synchronous clock-enable, asynchronous set/reset and output enable signals can be formed using product terms on a per-macrocell or per-Function Block basis.

A DualEDGE flip-flop feature is also available on a per macrocell basis. This feature allows high performance synchronous operation based on lower frequency clocking to help reduce the total power consumption of the device.

The CoolRunner-II 64-macrocell CPLD is I/O compatible with standard LVTTTL and LVCMOS18, LVCMOS25, and LVCMOS33 (see [Table 1](#)). This device is also LVCOMOS15 compatible with the use of Schmitt-trigger inputs.

## RealDigital Design Technology

Xilinx CoolRunner-II CPLDs are fabricated on a 0.18 micron process technology which is derived from leading edge FPGA product development. CoolRunner-II CPLDs employ RealDigital, a design technique that makes use of CMOS technology in both the fabrication and design methodology. RealDigital design technology employs a cascade of CMOS gates to implement sum of products instead of traditional sense amplifier methodology. Due to this technology, Xilinx CoolRunner-II CPLDs achieve both high performance and low power operation.

## Supported I/O Standards

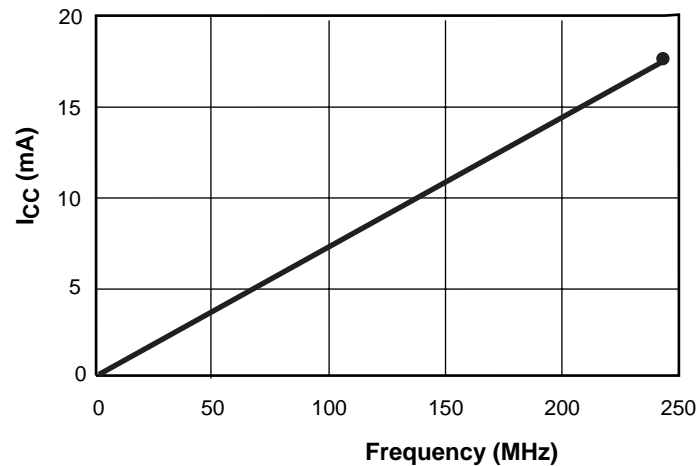
The CoolRunner-II 64 macrocell features both LVCMOS and LVTTTL I/O implementations. See [Table 1](#) for I/O standard voltages. The LVTTTL I/O standard is a general purpose EIA/JEDEC standard for 3.3V applications that use an LVTTTL input buffer and Push-Pull output buffer. The

LVCMOS standard is used in 3.3V, 2.5V, 1.8V applications. CoolRunner-II CPLDs are also 1.5V I/O compatible with the use of Schmitt-trigger inputs.

Table 1: I/O Standards for XC2C64

IOSTANDARD Attribute	Output V <sub>CCIO</sub>	Input V <sub>CCIO</sub>	Input V <sub>REF</sub>	Board Termination Voltage V <sub>T</sub>
LVTTTL	3.3	3.3	N/A	N/A
LVCMOS33	3.3	3.3	N/A	N/A
LVCMOS25	2.5	2.5	N/A	N/A
LVCMOS18	1.8	1.8	N/A	N/A
LVCMOS15 <sup>(1)</sup>	1.5	1.5	N/A	N/A

(1) Requires Schmitt-trigger inputs.



DS092\_01\_092302

Figure 1: I<sub>CC</sub> vs Frequency

Table 2: I<sub>CC</sub> vs Frequency (LVCMOS 1.8V T<sub>A</sub> = 25°C)<sup>(1)</sup>

	Frequency (MHz)									
	0	25	50	75	100	150	175	200	225	240
Typical I <sub>CC</sub> (mA)	0.015	1.8	3.7	5.5	7.48	11.0	12.7	14.6	15.3	17.77

### Notes:

- 16-bit up/down, Resettable binary counter (one counter per function block).

## Absolute Maximum Ratings

Symbol	Description	Value	Units
$V_{CC}$	Supply voltage relative to ground	-0.5 to 2.0	V
$V_{CCIO}$	Supply voltage for output drivers	-0.5 to 4.0	V
$V_{JTAG}^{(2)}$	JTAG input voltage limits	-0.5 to 4.0	V
$V_{AUX}$	JTAG input supply voltage	-0.5 to 4.0	V
$V_{IN}^{(1)}$	Input voltage relative to ground	-0.5 to 4.0	V
$V_{TS}^{(1)}$	Voltage applied to 3-state output	-0.5 to 4.0	V
$V_{STG}^{(3)}$	Storage Temperature (ambient)	-65 to +150	°C
$T_J$	Junction Temperature	+150	°C

### Notes:

- Maximum DC undershoot below GND must be limited to either 0.5V or 10 mA, whichever is easiest to achieve. During transitions, the device pins may undershoot to -2.0V or overshoot to +4.5V, provided this over or undershoot lasts less than 10 ns and with the forcing current being limited to 200 mA.
- Valid over commercial temperature range.
- For soldering guidelines and thermal considerations, see the [Device Packaging](#) information on the Xilinx website. For Pb free packages, see [XAPP427](#).

## Recommended Operating Conditions

Symbol	Parameter		Min	Max	Units
$V_{CC}$	Supply voltage for internal logic and input buffers	Commercial $T_A = 0^\circ\text{C}$ to $+70^\circ\text{C}$	1.7	1.9	V
		Industrial $T_A = -40^\circ\text{C}$ to $+85^\circ\text{C}$	1.7	1.9	V
$V_{CCIO}$	Supply voltage for output drivers @ 3.3V operation		3.0	3.6	V
	Supply voltage for output drivers @ 2.5V operation		2.3	2.7	V
	Supply voltage for output drivers @ 1.8V operation		1.7	1.9	V
	Supply voltage for output drivers @ 1.5V operation		1.4	1.6	V
$V_{AUX}$	JTAG programming pins		1.7	3.6	V

## DC Electrical Characteristics (Over Recommended Operating Conditions)

Symbol	Parameter	Test Conditions	Typical	Max.	Units
$I_{CCSB}$	Standby current Commercial	$V_{CC} = 1.9\text{V}$ , $V_{CCIO} = 3.6\text{V}$		100	$\mu\text{A}$
$I_{CCSB}$	Standby current Industrial	$V_{CC} = 1.9\text{V}$ , $V_{CCIO} = 3.6\text{V}$		165	$\mu\text{A}$
$I_{CC}^{(1)}$	Dynamic current	$f = 1\text{ MHz}$		500	$\mu\text{A}$
		$f = 50\text{ MHz}$		5	mA
$C_{JTAG}$	JTAG input capacitance	$f = 1\text{ MHz}$		10	pF
$C_{CLK}$	Global clock input capacitance	$f = 1\text{ MHz}$		12	pF
$C_{IO}$	I/O capacitance	$f = 1\text{ MHz}$		10	pF
$I_{IL}^{(2)}$	Input leakage current	$V_{IN} = 0\text{V}$ or $V_{CCIO}$ to 3.9V		+/-1	$\mu\text{A}$
$I_{IH}^{(2)}$	I/O High-Z leakage	$V_{IN} = 0\text{V}$ or $V_{CCIO}$ to 3.9V		+/-1	$\mu\text{A}$

### Notes:

- 16-bit up/down, Resettable binary counter (one counter per function block) tested at  $V_{CC}=V_{CCIO}= 1.9\text{V}$ .
- See Quality and Reliability section of the CoolRunner-II family data sheet.

## LVCMOS 3.3V and LVTTTL 3.3V DC Voltage Specifications

Symbol	Parameter	Test Conditions	Min.	Max.	Units
$V_{CCIO}$	Input source voltage		3.0	3.6	V
$V_{IH}$	High level input voltage		2	3.9	V
$V_{IL}$	Low level input voltage		-0.3	0.8	V
$V_{OH}$	High level output voltage	$I_{OH} = -8 \text{ mA}, V_{CCIO} = 3\text{V}$	$V_{CCIO} - 0.4\text{V}$	-	V
		$I_{OH} = -0.1 \text{ mA}, V_{CCIO} = 3\text{V}$	$V_{CCIO} - 0.2\text{V}$	-	V
$V_{OL}$	Low level output voltage	$I_{OL} = 8 \text{ mA}, V_{CCIO} = 3\text{V}$	-	0.4	V
		$I_{OL} = 0.1 \text{ mA}, V_{CCIO} = 3\text{V}$	-	0.2	V

## LVCMOS 2.5V DC Voltage Specifications

Symbol	Parameter	Test Conditions	Min.	Max.	Units
$V_{CCIO}$	Input source voltage		2.3	2.7	V
$V_{IH}$	High level input voltage		1.7	3.9	V
$V_{IL}$	Low level input voltage		-0.3	0.7	V
$V_{OH}$	High level output voltage	$I_{OH} = -8 \text{ mA}, V_{CCIO} = 2.3\text{V}$	$V_{CCIO} - 0.4\text{V}$	-	V
		$I_{OH} = -0.1 \text{ mA}, V_{CCIO} = 2.3\text{V}$	$V_{CCIO} - 0.2\text{V}$	-	V
$V_{OL}$	Low level output voltage	$I_{OL} = 8 \text{ mA}, V_{CCIO} = 2.3\text{V}$	-	0.4	V
		$I_{OL} = 0.1 \text{ mA}, V_{CCIO} = 2.3\text{V}$	-	0.2	V

## LVCMOS 1.8V DC Voltage Specifications

Symbol	Parameter	Test Conditions	Min.	Max.	Units
$V_{CCIO}$	Input source voltage		1.7	1.9	V
$V_{IH}$	High level input voltage		$0.65 \times V_{CCIO}$	3.9	V
$V_{IL}$	Low level input voltage		-0.3	$0.35 \times V_{CCIO}$	V
$V_{OH}$	High level output voltage	$I_{OH} = -8 \text{ mA}, V_{CCIO} = 1.7\text{V}$	$V_{CCIO} - 0.45$	-	V
		$I_{OH} = -0.1 \text{ mA}, V_{CCIO} = 1.7\text{V}$	$V_{CCIO} - 0.2$	-	V
$V_{OL}$	Low level output voltage	$I_{OL} = 8 \text{ mA}, V_{CCIO} = 1.7\text{V}$	-	0.45	V
		$I_{OL} = 0.1 \text{ mA}, V_{CCIO} = 1.7\text{V}$	-	0.2	V

## LVCMOS 1.5V DC Voltage Specifications<sup>(1)</sup>

Symbol	Parameter	Test Conditions	Min.	Max.	Units
$V_{CCIO}$	Input source voltage		1.4	1.6	V
$V_{T+}$	Input hysteresis threshold voltage		$0.5 \times V_{CCIO}$	$0.8 \times V_{CCIO}$	V
$V_{T-}$			$0.2 \times V_{CCIO}$	$0.5 \times V_{CCIO}$	V
$V_{OH}$	High level output voltage	$I_{OH} = -4 \text{ mA}, V_{CCIO} = 1.4\text{V}$	$V_{CCIO} - 0.45$	-	V
		$I_{OH} = -0.1 \text{ mA}, V_{CCIO} = 1.4\text{V}$	$V_{CCIO} - 0.2$	-	V
$V_{OL}$	Low level output voltage	$I_{OL} = 8 \text{ mA}, V_{CCIO} = 1.4\text{V}$	-	0.4	V
		$I_{OL} = 0.1 \text{ mA}, V_{CCIO} = 1.4\text{V}$	-	0.2	V

### Notes:

- Hysteresis used on 1.5V inputs.

## Schmitt Trigger Input DC Voltage Specifications

Symbol	Parameter	Test Conditions	Min.	Max.	Units
$V_{CCIO}$	Input source voltage		1.4	3.9	V
$V_{T+}$	Input hysteresis threshold voltage		$0.5 \times V_{CCIO}$	$0.8 \times V_{CCIO}$	V
$V_{T-}$			$0.2 \times V_{CCIO}$	$0.5 \times V_{CCIO}$	V

## AC Electrical Characteristics Over Recommended Operating Conditions

Symbol	Parameter	-5		-7		Units
		Min.	Max.	Min.	Max.	
$T_{PD1}$	Propagation delay single p-term	-	4.6	-	6.7	ns
$T_{PD2}$	Propagation delay OR array	-	5.0	-	7.5	ns
$T_{SUD}$	Direct input register clock setup time	2.4	-	3.3	-	ns
$T_{SU1}$	Setup time (single p-term)	2.0	-	2.5	-	ns
$T_{SU2}$	Setup time (OR array)	2.4	-	3.3	-	ns
$T_{HD}$	Direct input register hold time	0	-	0	-	ns
$T_H$	P-term hold time	0	-	0	-	ns

Symbol	Parameter	-5		-7		Units
		Min.	Max.	Min.	Max.	
$T_{CO}$	Clock to output	-	3.9	-	6.0	ns
$F_{TOGGLE}^{(1)}$	Internal toggle rate <sup>(1)</sup>	-	333	-	200	MHz
$F_{SYSTEM1}^{(2)}$	Maximum system frequency <sup>(2)</sup>	-	263	-	159	MHz
$F_{SYSTEM2}^{(2)}$	Maximum system frequency <sup>(2)</sup>	-	238	-	141	MHz
$F_{EXT1}^{(3)}$	Maximum external frequency <sup>(3)</sup>	-	169	-	118	MHz
$F_{EXT2}^{(3)}$	Maximum external frequency <sup>(3)</sup>	-	159	-	108	MHz
$T_{PSUD}$	Direct input register p-term clock setup time	0.9	-	1.7	-	ns
$T_{PSU1}$	P-term clock setup time (single p-term)	0.5	-	0.9	-	ns
$T_{PSU2}$	P-term clock setup time (OR array)	0.9	-	1.7	-	ns
$T_{PHD}$	Direct input register p-term clock hold time	1.1	-	0.9	-	ns
$T_{PH}$	P-term clock hold	1.5	-	1.7	-	ns
$T_{PCO}$	P-term clock to output	-	6.0	-	8.4	ns
$T_{OE}/T_{OD}$	Global OE to output enable/disable	-	8.0	-	10.0	ns
$T_{POE}/T_{POD}$	P-term OE to output enable/disable	-	9.0	-	11.0	ns
$T_{MOE}/T_{MOD}$	Macrocell driven OE to output enable/disable	-	9.0	-	11.0	ns
$T_{PAO}$	P-term set/reset to output valid	-	7.3	-	9.7	ns
$T_{AO}$	Global set/reset to output valid	-	6.0	-	8.3	ns
$T_{SUEC}$	Register clock enable setup time	3.0	-	3.7	-	ns
$T_{HEC}$	Register clock enable hold time	0	-	0	-	ns
$T_{CW}$	Global clock pulse width High or Low	1.5	-	2.5	-	ns
$T_{PCW}$	P-term pulse width High or Low	5.0	-	7.5	-	ns
$T_{APRPW}$	Asynchronous preset/reset pulse width (High or Low)	5.0	-	7.5	-	ns
$T_{CONFIG}^{(4)}$	Configuration time	-	50.0	-	50.0	$\mu$ s

**Notes:**

- $F_{TOGGLE}$  ( $1/2 \cdot T_{CW}$ ) is the maximum frequency of a dual edge triggered T flip-flop with output enabled.
- $F_{SYSTEM}$  ( $1/T_{CYCLE}$ ) is the internal operating frequency for a device fully populated with 16-bit up/down, Resettable binary counter (one counter per function block).
- $F_{EXT}$  ( $1/T_{SU1} + T_{CO}$ ) is the maximum external frequency.
- Typical configuration current during  $T_{CONFIG}$  is 2.3 mA.

## Internal Timing Parameters

Symbol	Parameter <sup>(1)</sup>	-5		-7		Units
		Min.	Max.	Min.	Max.	
<b>Buffer Delays</b>						
$T_{IN}$	Input buffer delay	-	1.7	-	2.4	ns
$T_{DIN}$	Direct data register input delay	-	2.6	-	4.0	ns
$T_{GCK}$	Global clock buffer delay	-	1.6	-	2.5	ns
$T_{GSR}$	Global set/reset buffer delay	-	2.4	-	3.5	ns
$T_{GTS}$	Global 3-state buffer delay	-	2.7	-	3.9	ns
$T_{OUT}$	Output buffer delay	-	1.9	-	2.8	ns
$T_{EN}$	Output buffer enable/disable delay	-	5.3	-	6.1	ns
<b>P-term Delays</b>						
$T_{CT}$	Control term delay	-	2.0	-	2.5	ns
$T_{LOGI1}$	Single P-term delay adder	-	0.5	-	0.8	ns
$T_{LOGI2}$	Multiple P-term delay adder	-	0.4	-	0.8	ns
<b>Macrocell Delay</b>						
$T_{PDI}$	Input to output valid	-	0.5	-	0.7	ns
$T_{SUI}$	Setup before clock	1.4	-	1.8	-	ns
$T_{HI}$	Hold after clock	0.0	-	0.0	-	ns
$T_{ECSU}$	Enable clock setup time	0.9	-	1.3	-	ns
$T_{ECHO}$	Enable clock hold time	0	-	0	-	ns
$T_{COI}$	Clock to output valid	-	0.4	-	0.7	ns
$T_{AOI}$	Set/reset to output valid	-	1.7	-	2.0	ns
$T_{CDBL}$	Clock doubler delay	-	0	-	0	ns
<b>Feedback Delays</b>						
$T_F$	Feedback delay	-	1.5	-	2.0	ns
$T_{OEM}$	Macrocell to global OE delay	-	1.7	-	1.7	ns
<b>I/O Standard Time Adder Delays 1.5V CMOS</b>						
$T_{HYS15}$	Hysteresis input adder	-	4.0	-	6.0	ns
$T_{OUT15}$	Output adder	-	0.9	-	1.5	ns
$T_{SLEW15}$	Output slew rate adder	-	4.0	-	6.0	ns
<b>I/O Standard Time Adder Delays 1.8V CMOS</b>						
$T_{HYS18}$	Hysteresis input adder	-	3.0	-	4.0	ns
$T_{OUT18}$	Output adder	-	0	-	0	ns
$T_{SLEW}$	Output slew rate adder	-	3.5	-	5.0	ns

## Internal Timing Parameters (Continued)

Symbol	Parameter <sup>(1)</sup>	-5		-7		Units
		Min.	Max.	Min.	Max.	
<b>I/O Standard Time Adder Delays 2.5V CMOS</b>						
T <sub>IN25</sub>	Standard input adder	-	0.5	-	1.0	ns
T <sub>HYS25</sub>	Hysteresis input adder	-	2.5	-	3.0	ns
T <sub>OUT25</sub>	Output adder	-	4.8	-	6.0	ns
T <sub>SLEW25</sub>	Output slew rate adder	-	2.5	-	4.0	ns
<b>I/O Standard Time Adder Delays 3.3V CMOS/TTL</b>						
T <sub>IN33</sub>	Standard input adder	-	0.5	-	1.0	ns
T <sub>HYS33</sub>	Hysteresis input adder	-	2.0	-	3.0	ns
T <sub>OUT33</sub>	Output adder	-	7.0	-	10.0	ns
T <sub>SLEW33</sub>	Output slew rate adder	-	2.5	-	4.0	ns

**Notes:**

1. 1.5 ns input pin signal rise/fall.

### Switching Characteristics

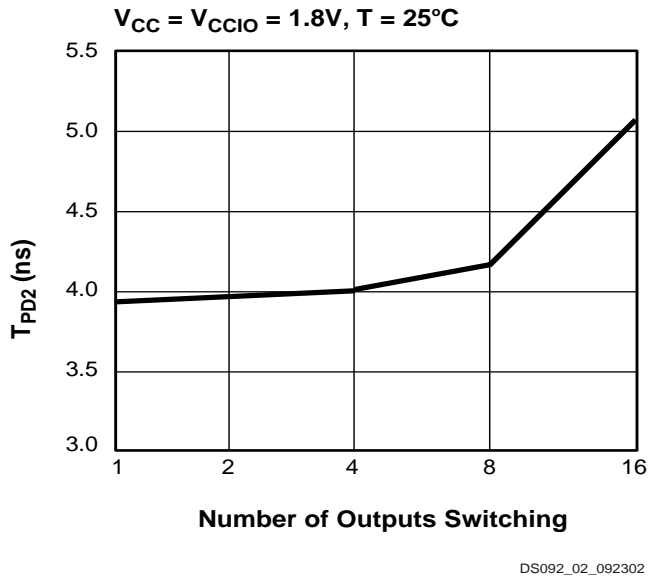


Figure 2: Derating Curve for  $T_{PD}$

### Typical I/O Output Curves

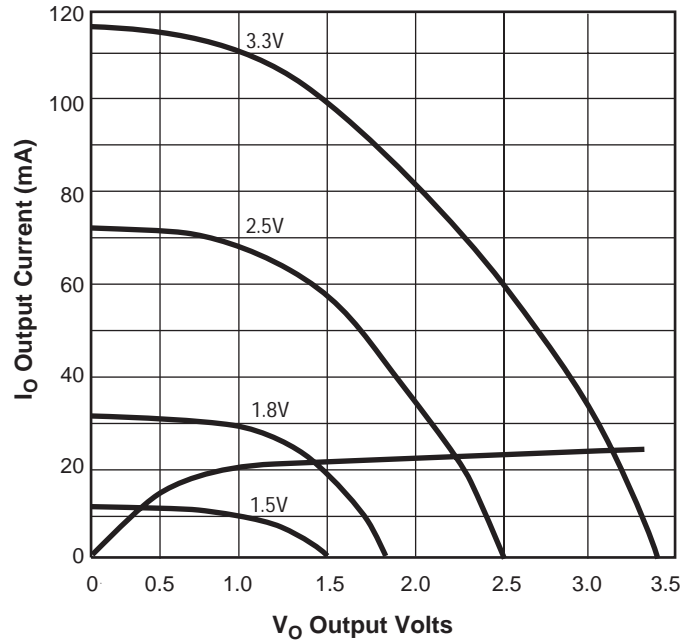
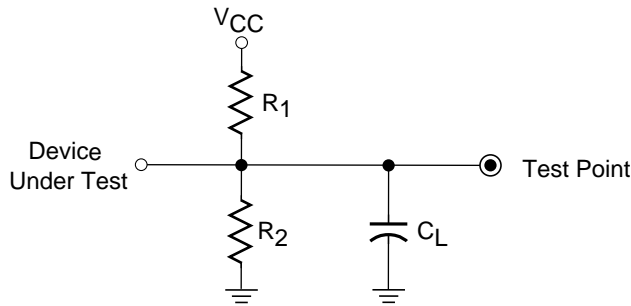


Figure 4: Typical I/O Output Curves

### AC Test Circuit



Output Type	$R_1$	$R_2$	$C_L$
LVTTTL33	268Ω	235Ω	35 pF
LVC MOS33	275Ω	275Ω	35 pF
LVC MOS25	188Ω	188Ω	35 pF
LVC MOS18	112.5Ω	112.5Ω	35 pF
LVC MOS15	150Ω	150Ω	35 pF

- Notes:
1.  $C_L$  includes test fixtures and probe capacitance.
  2. 1.5 nsec maximum rise/fall times on inputs.

DS092\_03\_092302

Figure 3: AC Load Circuit

## Pin Descriptions

Function Block	Macrocell	PC44	VQ44	CP56	VQ100
1	1	44	38	F1	13
1	2	43	37	E3	12
1	3	42	36	E1	11
1	4	-	-	-	10
1	5	-	-	-	9
1	6	-	-	-	8
1	7	-	-	-	7
1	8	-	-	-	6
1(GTS1)	9	40	34	D1	4
1(GTS0)	10	39	33	C1	3
1(GTS3)	11	38	32	A3	2
1(GTS2)	12	37	31	A2	1
1(GSR)	13	36	30	B1	99
1	14	-	-	A1	97
1	15	-	-	C3	94
1	16	-	-	-	92
2	1	1	39	G1	14
2	2	2	40	F3	15
2	3	-	-	-	16
2	4	-	-	-	17
2	5	3	41	H1	18
2	6	4	42	G3	19
2(GCK0)	7	5	43	J1	22
2(GCK1)	8	6	44	K1	23
2	9	-	-	K4	24
2(GCK2)	10	7	1	K2	27
2	11	-	-	-	28
2	12	8	2	K3	29
2	13	9	3	H3	30
2	14	-	-	K5	32
2	15	-	-	-	33
2	16	-	-	-	34

**Pin Descriptions (Continued)**

Function Block	Macrocell	PC44	VQ44	CP56	VQ100
3	1	35	29	C4	91
3	2	34	28	A4	90
3	3	33	27	C5	89
3	4	-	-	A7	81
3	5	-	-	C8	79
3	6	29	23	A8	78
3	7	-	-	A9	77
3	8	-	-	-	76
3	9	-	-	A5	74
3	10	28	22	A10	72
3	11	27	21	B10	71
3	12	26	20	C10	70
3	13	-	-	D8	68
3	14	25	19	E8	67
3	15	24	18	D10	64
3	16	-	-	-	61
4	1	11	5	K6	35
4	2	12	6	H5	36
4	3	-	-	K7	37
4	4	-	-	-	39
4	5	-	-	H7	40
4	6	-	-	-	41
4	7	14	8	H8	42
4	8	-	-	-	43
4	9	-	-	-	49
4	10	-	-	K8	50
4	11	18	12	H10	52
4	12	-	-	-	53
4	13	19	13	G10	55
4	14	20	14	-	56
4	15	22	16	F10	58
4	16	-	-	E10	60

1. GTS = global output enable, GSR = global set reset, GCK = global clock.

## XC2C64 Global, JTAG, Power/Ground and No Connect Pins

Pin Type	PC44	VQ44	CP56	VQ100
TCK	17	11	K10	48
TDI	15	9	J10	45
TDO	30	24	A6	83
TMS	16	10	K9	47
V <sub>AUX</sub> (JTAG supply voltage)	41	35	D3	5
Power internal (V <sub>CC</sub> )	21	15	G8	26,57
Power external I/O (V <sub>CCIO</sub> )	13, 32	7, 26	H6, C6	38, 51, 88, 98
Ground	10, 23, 31	4,17,25	H4, F8, C7	21, 31, 62, 69, 84,100
No connects				20, 25, 44, 46, 54, 59, 63, 65, 66, 73, 75, 80, 82, 85, 86, 87, 93, 95, 96
Total user I/O	33	33	45	64

## Ordering Information

Device Ordering No. and Part Marking No.	Pin/Ball Spacing	$\theta_{JA}$ (C/Watt)	$\theta_{JC}$ (C/Watt)	Package Type	Package Body Dimensions	I/O	Comm. (C) Ind. (I) <sup>(1)</sup>
XC2C64-5PC44C	1.27mm	53.1	28.7	Plastic Leaded Chip Carrier	16.5mm x 16.5mm	33	C
XC2C64-7PC44C	1.27mm	53.1	28.7	Plastic Leaded Chip Carrier	16.5mm x 16.5mm	33	C
XC2C64-5VQ44C	0.8mm	46.6	8.2	Very Thin Quad Flat Pack	10mm x 10mm	33	C
XC2C64-7VQ44C	0.8mm	46.6	8.2	Very Thin Quad Flat Pack	10mm x 10mm	33	C
XC2C64-5CP56C	0.5mm	65.0	15.0	Chip Scale Package	6mm x 6mm	45	C
XC2C64-7CP56C	0.5mm	65.0	15.0	Chip Scale Package	6mm x 6mm	45	C
XC2C64-5VQ100C	0.5mm	53.2	14.6	Very Thin Quad Flat Pack	14mm x 14mm	64	C
XC2C64-7VQ100C	0.5mm	53.2	14.6	Very Thin Quad Flat Pack	14mm x 14mm	64	C
XC2C64-7PC44I	1.27mm	53.1	28.7	Plastic Leaded Chip Carrier	16.5mm x 16.5mm	33	I
XC2C64-7VQ44I	0.8mm	46.6	8.2	Very Thin Quad Flat Pack	10mm x 10mm	33	I
XC2C64-7CP56I	0.5mm	65.0	15.0	Chip Scale Package	6mm x 6mm	45	I
XC2C64-7VQ100I	0.5mm	53.2	14.6	Very Thin Quad Flat Pack	14mm x 14mm	64	I

### Notes:

1. C = Commercial (T<sub>A</sub> = 0°C to +70°C); I = Industrial (T<sub>A</sub> = -40°C to +85°C).

Standard Example: XC2C128 -4 TQ 144 C

Device \_\_\_\_\_ ↑  
 Speed Grade \_\_\_\_\_ ↑  
 Package Type \_\_\_\_\_ ↑  
 Number of Pins \_\_\_\_\_ ↑  
 Temperature Range \_\_\_\_\_ ↑

Pb-Free Example: XC2C128 -4 TQ G 144 C

Device \_\_\_\_\_ ↑  
 Speed Grade \_\_\_\_\_ ↑  
 Package Type \_\_\_\_\_ ↑  
 Pb-Free \_\_\_\_\_ ↑  
 Number of Pins \_\_\_\_\_ ↑  
 Temperature Range \_\_\_\_\_ ↑

## Device Part Marking

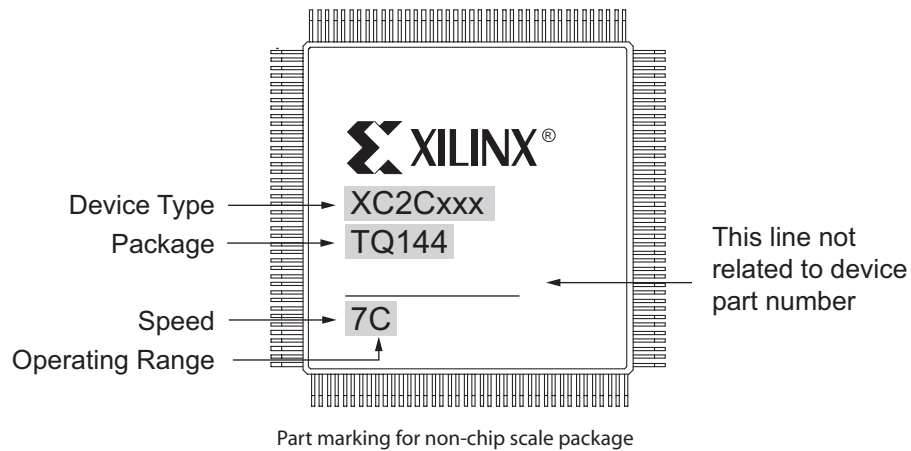


Figure 5: Sample Package with Part Marking

**Note:** Due to the small size of chip scale packages, the complete ordering part number cannot be included on the package marking. Part marking on chip scale packages by line are:

1. X (Xilinx logo) Truncated device part number
2. Not related to device part number
3. Not related to device part number
4. Device code, speed, operating temperature, three digits not related to device part number. Device codes: C3 = CP56, C4 = CPG56.

## Package Pinout Diagrams

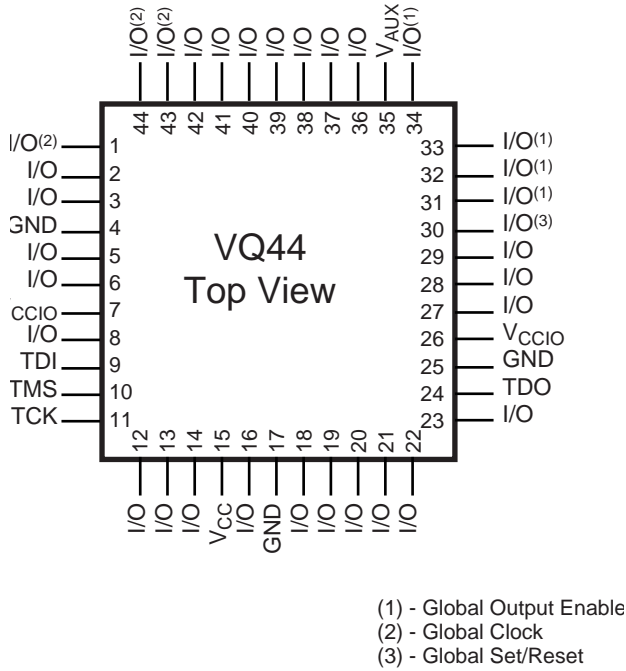


Figure 6: VQ44 Package

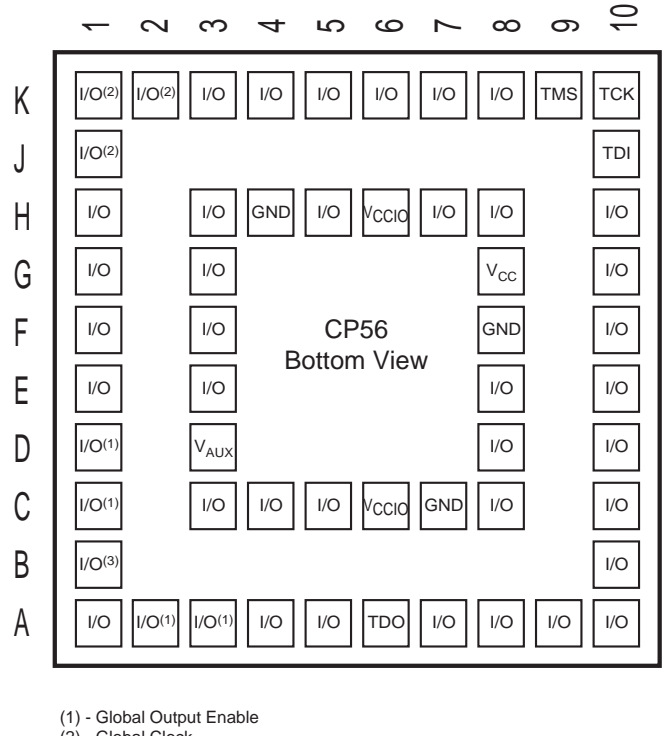


Figure 8: CP56 Package

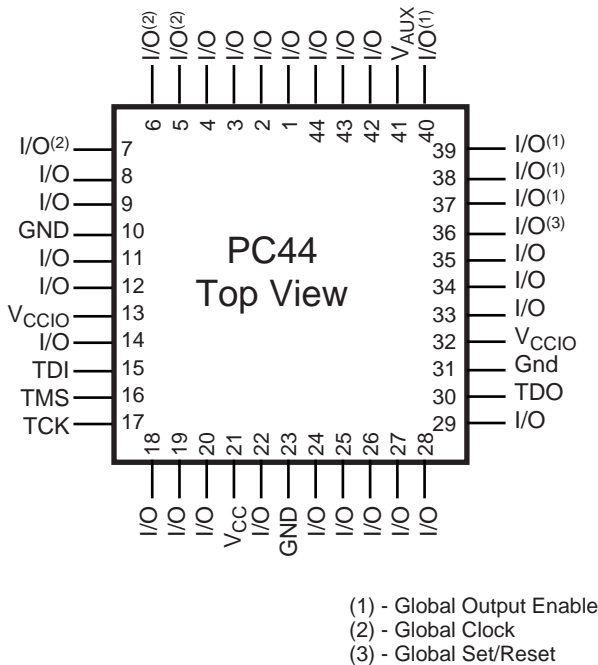
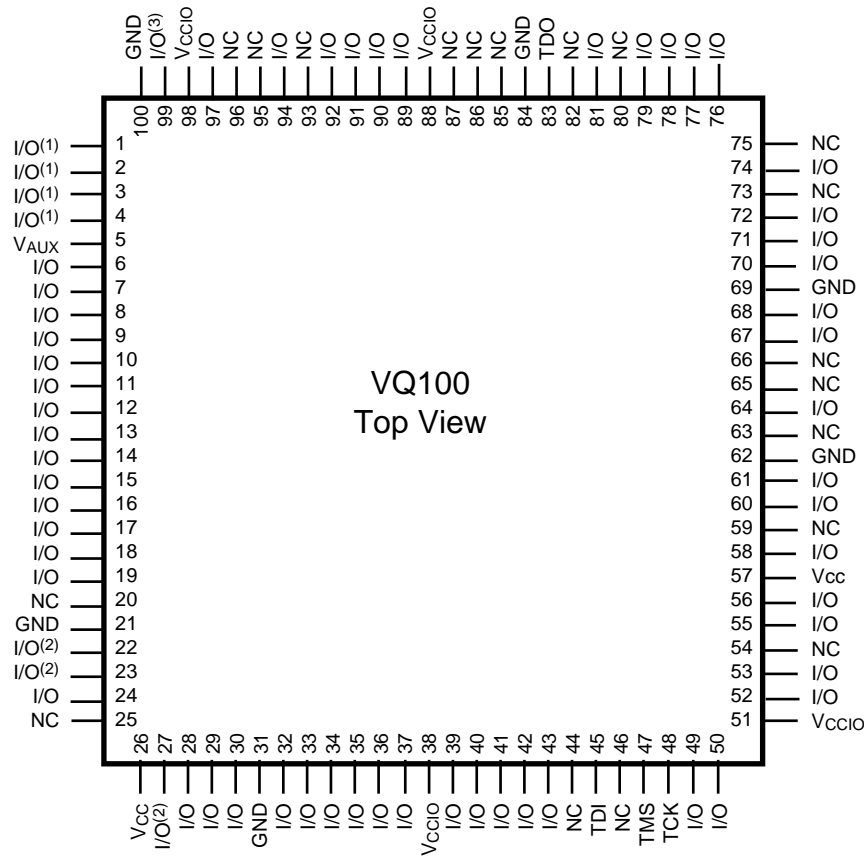


Figure 7: PC44 Package



- (1) - Global Output Enable
- (2) - Global Clock
- (3) - Global Set/Reset

Figure 12: VQ100 Package

## Additional Information

[CoolRunner-II Data Sheets and Application Notes](#)

[Package Drawings](#)

[Online Store](#)

## Revision History

The following table shows the revision history for this document.

Date	Version	Revision
01/03/02	1.0	Initial Xilinx release.
03/04/02	1.1	Removed A4 from the FB1, MC16, and CP56 in the Pinout tables. Updated $V_{OH}$ and $V_{OL}$ for LVCMOS 2.5V, LVCMOS 1.8V, and 1.5V DC Voltage Specifications.
04/09/02	1.2	Removed fast Industrial speed grade. Updated 1.5 DC Voltage, $V_{OH}$ parameter from $I_{OH} = -0.8$ mA to $-0.4$ mA.
9/24/02	1.3	Update AC characteristics and minor edits
9/27/02	1.4	Changed AC Characteristic $T_{H2}$ to $T_H$ , Packaging: changed VQ100 dimensions from 12mm x 12mm to 14mm x 14mm.
01/26/04	1.5	Added Device Part Marking information; T <sub>sol</sub> update; Added links.
7/1/04	1.6	Changed t <sub>FIN</sub> to t <sub>DIN</sub> . Added note recommending use of new XC2C64A device. Removed Advance Specification of -4 speed grade.
10/01/04	1.7	Add Asynchronous Preset/Reset Pulse Width specification to AC Electrical Characteristics.
10/07/04	1.8	Deleted note, page 1.
11/08/04	1.9	Note added to recommend XC2C64A for new designs.
01/30/05	2.0	Addition of $I_{CCSB}$ MAX for Industrial grade.
03/07/05	2.1	Modifications to IOSTANDARD table.