

Product availability: Stock - Normally stocked in distribution facility



Main

Range of product	Magelis XBTN
Product or component type	Small panel with keypad
Software type	Configuration software
Software designation	Vijeo Designer Lite
Operating system	Magelis

Complementary

Display type	Extra-bright alphanumeric backlit LCD
Display colour	Green
Character font	ASCII Katakana
[Us] rated supply voltage	5 V DC
Supply	From PLC (terminal port)
Number of key	8
Number of fixed keys	4
Number of customisable keys	4
Number of pages	128 application pages
Memory type	Flash
Memory capacity	512 kB
Integrated connection type	Serial link female RJ45, asynchronous RS232C/RS485)point-to-point
Realtime clock	Access to the PLC real-time clock
Product mounting	Flush mounting
Fixing mode	By 2 spring clips
Display material	Polyester
Front material	PPT
Keypad material	Polyester
Marking	CE
Width	5.20 in (132 mm)
Height	2.91 in (74 mm)
Depth	1.69 in (43 mm)
Cut-out dimensions	119.4 (+/- 0.5) x 63 (+/- 0.4) mm
Net weight	0.79 lb(US) (0.36 kg)

The information provided in this documentation contains general descriptions and/or technical characteristics of the performance of the products contained herein. This documentation is not intended as a substitute for and is not to be used for determining suitability or reliability of these products for specific user applications. It is the duty of any such user or integrator to perform the appropriate and complete risk analysis, evaluation and testing of the products with respect to the relevant specific application or use thereof. Neither Schneider Electric Industries SAS nor any of its affiliates or subsidiaries shall be responsible or liable for misuse of the information contained herein.

Environment

Messages display capacity	2 lines of 20 characters
Downloadable protocols	Uni-TE Modbus
Standards	IEC 60068-2-27 UL 508 IEC 61131-2 CSA C22.2 No 14 IEC 60068-2-6
Product certifications	ATEX zone 2/22 UL 1604 CSA Class 1 Division 2 UL Class 1 Division 2
Ambient air temperature for operation	32...131 °F (0...55 °C)
Ambient air temperature for storage	-4...140 °F (-20...60 °C)
Relative humidity	0...85 % without condensation
IP degree of protection	IP20 IEC 60529 rear panel) IP65 IEC 60529 front panel)
NEMA degree of protection	NEMA 4X front panel outdoor use)
Shock resistance	15 gn 11 ms
Vibration resistance	+/- 3.5 mm 2...8.45 Hz) 1 gn 8.45...150 Hz)

Ordering and shipping details

Category	22570 - MAGELIS TEXT DISPLAYS & ACCESS
Discount Schedule	MC2
GTIN	00785901485049
Package weight(Lbs)	0.38 kg (0.83 lb(US))
Returnability	Yes
Country of origin	CN

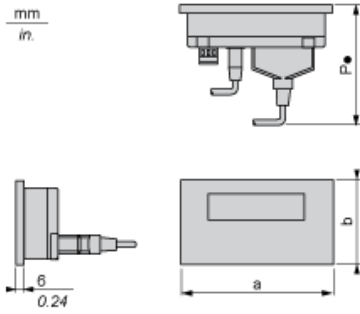
Offer Sustainability

California proposition 65	WARNING: This product can expose you to chemicals including: Lead and lead compounds which is known to the State of California to cause Carcinogen & Reproductive harm. For more information go to www.p65warnings.ca.gov
REACH Regulation	REACH Declaration
REACH free of SVHC	Yes
EU RoHS Directive	Pro-active compliance (Product out of EU RoHS legal scope) EU RoHS Declaration
Toxic heavy metal free	Yes
Mercury free	Yes
RoHS exemption information	Yes
China RoHS Regulation	China RoHS Declaration
WEEE	The product must be disposed on European Union markets following specific waste collection and never end up in rubbish bins.

Contractual warranty

Warranty	18 months
----------	-----------

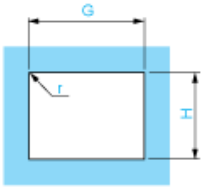
Dimensions



a		b		b1 (1)		P1 (2)	
mm	in.	mm	in.	mm	in.	mm	in.
132	5.19	74	3	104	4.09	78	3.07

- (1) With fixing clips (included with product)
 (2) P1: depth with RJ45 cable XBTZ9780 (for Twido, TSX Micro and Premium)

Cut-out for Flush Mounting



Panel thickness = 1.5...6 mm / 0.05...0.23 in.

H		G		r max.	
±0.4 mm	±0.02 in.	±0.5 mm	±0.02 in.	mm	in.
63	2.48	119.4	5	1.5	0.05