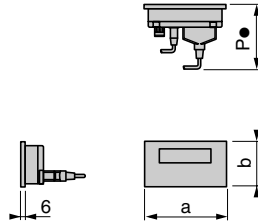
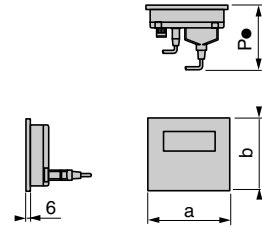


Dimensions

XBT N



XBT R



	a	a1 (1)	b	b1 (1)	P1 (2)	P2 (3)	P3 (4)	P4 (5)
XBT N200/N400	132	–	74	104	78	–	–	–
XBT N401/N410	132	–	74	104	–	–	58	104
XBT NU400	132	–	74	104	–	104	–	–
XBT R400	137	160	118	146	78	–	–	–
XBT R410/R411	137	160	118	146	–	–	58	104

(1) With 2 fixing clips (included with product).

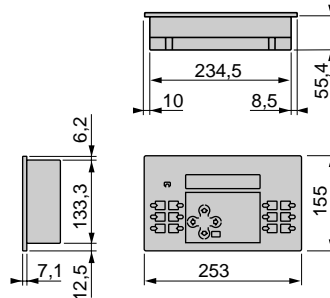
(2) P1 : depth with RJ45 cable, **XBT Z9780** (for Twido, TSX Micro and Premium).

(3) P2 : depth with 25-way SUB-D cable, **XBT Z938** (for TeSys model U and ATV 61/71 variable speed drives).

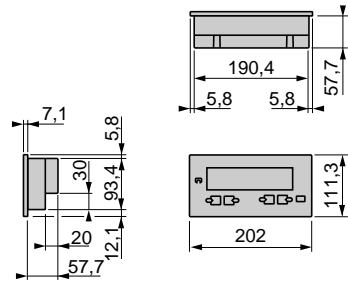
(4) P3 : depth with 25-way SUB-D elbow cable, **XBT Z9680** (for Twido, TSX Micro and Premium) or **XBT Z998** (for Advantys STB).

(5) P4 : depth with 25-way SUB-D cable, **XBT Z68/Z9681** (for Twido, TSX Micro and Premium).

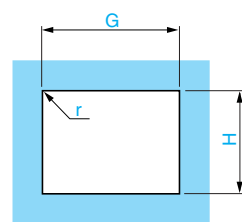
XBT PM



XBT HM



Mounting

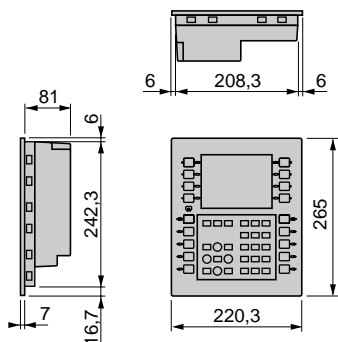


panel thickness: 1.5...6 mm

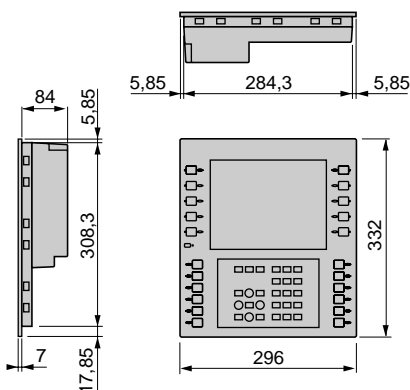
Display units and terminals	Cut-out for flush mounting		
	H (± 0.4 mm)	G (± 0.5 mm)	r
XBT N	63	119.4	1.5 maxi
XBT R	105.2	119.6	1.5 maxi
XBT PM	134	235	2 < r < 3.5
XBT HM	99.2	190.9	2 < r < 3.5

Dimensions

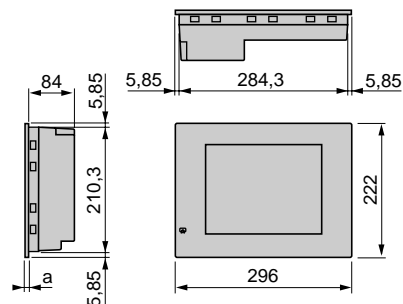
XBT F011●10



XBT F023/024

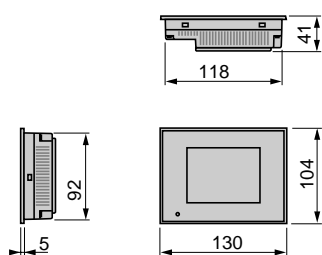


XBT F034/FC0●4

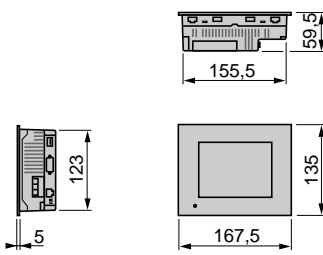


	a
XBT F034	7
XBT FC0●4	11

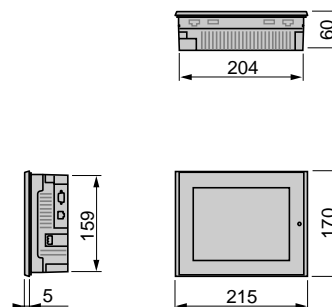
XBT GT1100/GT1130



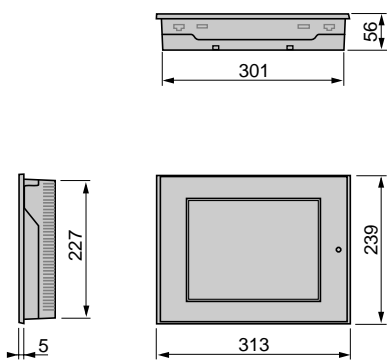
XBT GT2110 XBT GT2120/GT2130/GT2220/GT2330



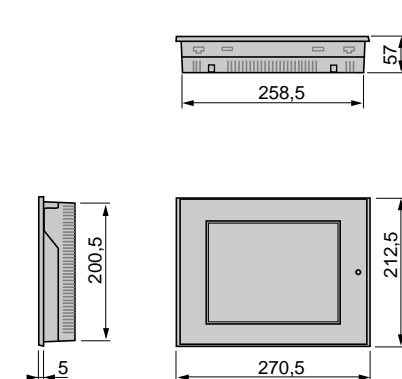
XBT GT4230/GT4330/GT4340



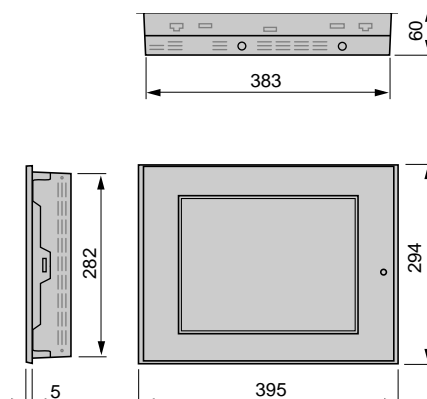
XBT GT5230 and XBT GT6330/G6340



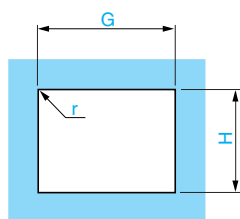
XBT GT5330/GT5340



XBT GT7340



Mounting



T = panel thickness

Graphic terminals

Cut-out for flush mounting

	H	G	r	T
XBT F011●10	243 (± 0.4)	209 (± 0.4)	2 < r < 3.5	1.6...6
XBT F024	309 (± 0.4)	285 (± 0.4)	2 < r < 3.5	1.6...6
XBT F034/FC0●4	210.9 (± 0.4)	284.9 ± 0.4	2 < r < 3.5	1.6...6
XBT GT1100/GT1130	92.5 (+ 1/- 0)	118 (+ 1/- 0)	3 maxi	1.6...5
XBT GT2110/GT2120/GT2130/GT2220/GT2330	123.5(+ 1/- 0)	156 (+ 1/- 0)	3 maxi	1.6...5
XBT GT4230/GT4330/GT4340	159.5(+ 1/- 0)	204.5 (+ 1/- 0)	3 maxi	1.6...10
XBT GT5230/GT6330/G6340	201 (+ 1/- 0)	259 (+ 1/- 0)	3 maxi	1.6...10
XBT GT5330/GT5340	227.5 (+ 1/- 0)	301.5 (+ 1/- 0)	3 maxi	1.6...10
XBT GT7340	282.5 (+ 1/- 0)	383.5 (+ 1/- 0)	3 maxi	1.6...10