



## Main

Range of product	Harmony XB5
Product or component type	Annunciator
Bezel material	Plastic
Mounting diameter	22 mm
Cap/operator or lens colour	Red

## Complementary

[Us] rated supply voltage	24 V +/- 10 %
Supply circuit type	AC/DC
Supply frequency	50/60 Hz
Current consumption	<= 58 mA
Signalling type	Continuous or intermittent tone
Noise level	90 dB 6.8 kHz 0.1 m +/- 10 %
Resistance to high pressure washer	9000000 Pa at 80 °C, distance : 0.1 m
Height	29 mm
Width	29 mm
Depth	55 mm
Net weight	0.024 kg

## Environment

Protective treatment	TH
Ambient air temperature for storage	-40...70 °C
Ambient air temperature for operation	-40...70 °C
Overtoltage category	Class II conforming to IEC 60536
NEMA degree of protection	NEMA 4X NEMA 13
Standards	CSA C22.2 No 14 IEC 60947-5-1 EN 60947-5-4 JIS C8201-5-1 EN 60947-1 UL 508 IEC 60947-5-4 EN 60947-5-1 IEC 60947-1 JIS C8201-1 IEC 60529 EN 50102 IEC 50102
Product certifications	UL listed CSA BV

## Packing Units

Unit Type of Package 1	PCE
Number of Units in Package 1	1
Package 1 Height	3.3 cm
Package 1 Width	3.4 cm
Package 1 Length	6 cm
Package 1 Weight	27 g
Unit Type of Package 2	S01
Number of Units in Package 2	88
Package 2 Height	15 cm
Package 2 Width	15 cm
Package 2 Length	40 cm
Package 2 Weight	2.629 kg
Unit Type of Package 3	P06
Number of Units in Package 3	1408
Package 3 Height	70 cm
Package 3 Width	80 cm
Package 3 Length	60 cm
Package 3 Weight	43.016 kg

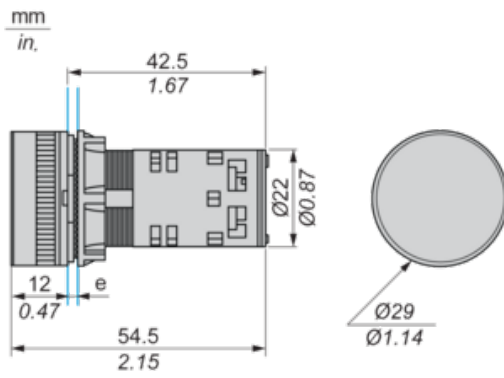
## Offer Sustainability

Sustainable offer status	Green Premium product
REACH Regulation	<a href="#">REACH Declaration</a>
EU RoHS Directive	Pro-active compliance (Product out of EU RoHS legal scope) <a href="#">EU RoHS Declaration</a>
Mercury free	Yes
China RoHS Regulation	<a href="#">China RoHS Declaration</a>
RoHS exemption information	<a href="#">Yes</a>
Environmental Disclosure	<a href="#">Product Environmental Profile</a>
WEEE	The product must be disposed on European Union markets following specific waste collection and never end up in rubbish bins

## Contractual warranty

Warranty	18 Monate
----------	-----------

Dimensions



e: Clamping thickness: 1 to 6 mm / 0.04 to 0.24 in.

Panel Cut-out for Buzzer

Connection by Screw Clamp Terminals



(1) Diameter on finished panel or support

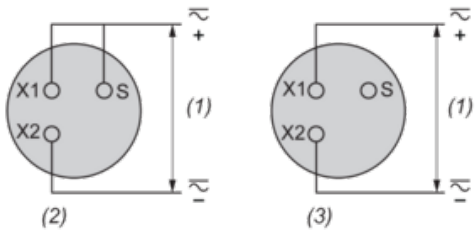
(2)  $\text{Ø}22.5 \text{ mm}$  recommended ( $\text{Ø}22.3 \text{ }_0^{+0.4}$ ) /  $\text{Ø}0.89 \text{ in.}$  recommended ( $\text{Ø}0.88 \text{ in. }_0^{+0.016}$ )

Connections	a in mm	a in in.	b in mm	b in in.
By screw clamp terminals or plug-in connector	40	1.57	30	1.18

---

Cabling of Annunciators

---



- (1) Supply
- (2) Intermittent
- (3) Continuous