

# XB5AS84449

red Ø40 emergency stop turn to release 2NC  
1NO monitoring contacts



Product availability: Stock - Normally stocked in distribution facility



## Main

Range of product	Harmony XB5
Product or component type	Emergency stop push-button
Device short name	XB5
Bezel material	Plastic
Fixing collar material	Plastic
Head type	Standard
Mounting diameter	0.87 in (22 mm)
Sale per indivisible quantity	1
Shape of signaling unit head	Round
Type of operator	Trigger action and mechanical latching with mechanical state indicator
Reset	Push-pull Turn to release
Operator profile	Red mushroom Ø 40 mm, unmarked
Contacts type and composition	2 NC + 1 NO
Contact operation	Slow-break
Connections - terminals	Screw clamp terminals, <= 1.25 mm <sup>2</sup> with cable end EN/IEC 60947-1 Screw clamp terminals, <= 1.25 mm <sup>2</sup> without cable end EN/IEC 60947-1
Device presentation	Complete product

## Complementary

Height	1.65 in (42 mm)
Width	1.65 in (42 mm)
Depth	3.13 in (79.5 mm)
Terminals description ISO n°1	(13-14)NO (21-22)NC (11-12)NC
Net weight	0.20 lb(US) (0.0905 kg)
Contacts usage	Monitoring contact
Positive opening	With EN/IEC 60947-5-1 appendix K
Mechanical durability	100000 cycles
Tightening torque	7.08... 13.28 lbf.in (0.8... 1.5 N.m) EN/IEC 60947-1
Shape of screw head	Slotted flat Ø 5.5 mm Cross JIS No 2 Cross Philips No 2
Contacts material	Silver alloy - gold plated (Ag/Cu)
Short-circuit protection	10 A cartridge fuse gG EN/IEC 60947-5
[I <sub>th</sub> ] conventional free air thermal current	5 A EN/IEC 60947-5-1
[U <sub>i</sub> ] rated insulation voltage	250 V 2) IEC 61140
[U <sub>imp</sub> ] rated impulse withstand voltage	2.5 kV EN/IEC 60947-1

The information provided in this documentation contains general descriptions and/or technical characteristics of the performance of the products contained herein. This documentation is not intended as a substitute for and is not to be used for determining suitability or reliability of these products for specific user applications. It is the duty of any such user or integrator to perform the appropriate and complete risk analysis, evaluation and testing of the products with respect to the relevant specific application or use thereof. Neither Schneider Electric Industries SAS nor any of its affiliates or subsidiaries shall be responsible or liable for misuse of the information contained herein.

[I <sub>e</sub> ] rated operational current	1.5 A 240 V, AC-15, B300 EN/IEC 60947-5-1 3 A 120 V, AC-15, B300 EN/IEC 60947-5-1 0.1 A 250 V, DC-13, R300 EN/IEC 60947-5-1 0.22 A 125 V, DC-13, R300 EN/IEC 60947-5-1
Electrical durability	100000 Cycles, AC-15, 1.5 A 240 V 1800 cyc/h 0.4 EN/IEC 60947-5-1 appendix C 100000 Cycles, AC-15, 3 A 120 V 1800 cyc/h 0.4 EN/IEC 60947-5-1 appendix C 100000 Cycles, DC-13, 0.1 A 250 V 1800 cyc/h 0.4 EN/IEC 60947-5-1 appendix C 100000 cycles, DC-13, 0.22 A 125 V 1800 cyc/h 0.4 EN/IEC 60947-5-1 appendix C

## Environment

Ambient air temperature for storage	-40...176 °F (-40...80 °C)
Ambient air temperature for operation	-4...140 °F (-20...60 °C)
Overvoltage category	Class II IEC 61140
IP degree of protection	IP65 IEC 60529 front face) IP2x back face)
Standards	EN/IEC 60947-5-1 CSA C22.2 No 14 UL 508 JIS C8201-5-1 EN/IEC 60947-5-5 EN/IEC 60204-1 EN/IEC 60947-1 EN/ISO 13850 JIS C8201-1
Product certifications	CSA UL listed
Vibration resistance	50 m/s <sup>2</sup> 10...500 Hz)IEC 60068-2-6
Shock resistance	150 m/s <sup>2</sup> 11 ms) half sine wave acceleration IEC 60068-2-27

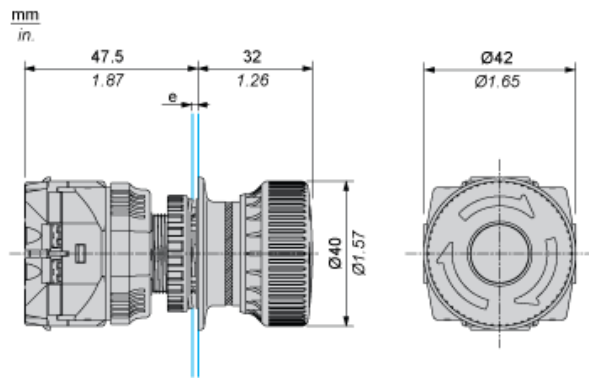
## Ordering and shipping details

Category	22000 - Temporary Category for ITS Price Promotion
Discount Schedule	I
GTIN	00785901886488
Package weight(Lbs)	0.13 kg (0.28 lb(US))
Returnability	Yes

## Offer Sustainability

Sustainable offer status	Green Premium product
California proposition 65	WARNING: This product can expose you to chemicals including: Lead and lead compounds which is known to the State of California to cause Carcinogen & Reproductive harm. For more information go to <a href="http://www.p65warnings.ca.gov">www.p65warnings.ca.gov</a>
REACH Regulation	<a href="#">REACH Declaration</a>
REACH free of SVHC	Yes
EU RoHS Directive	Pro-active compliance (Product out of EU RoHS legal scope) <a href="#">EU RoHS Declaration</a>
Toxic heavy metal free	Yes
Mercury free	Yes
RoHS exemption information	<a href="#">Yes</a>
China RoHS Regulation	<a href="#">China RoHS Declaration</a>
Environmental Disclosure	<a href="#">Product Environmental Profile</a>
Circularity Profile	<a href="#">End Of Life Information</a>
WEEE	The product must be disposed on European Union markets following specific waste collection and never end up in rubbish bins.

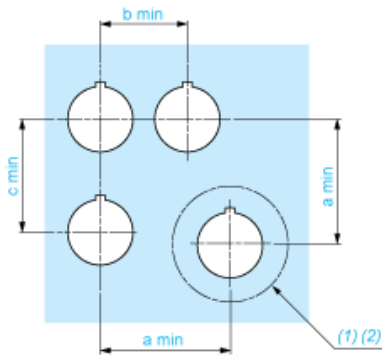
Dimensions



(e) Clamping thickness: 1 mm to 6 mm / 0.03 in to 0.24 in

Panel Cut-out for Emergency Stop Push Button (Finished Holes, Ready for Installation)

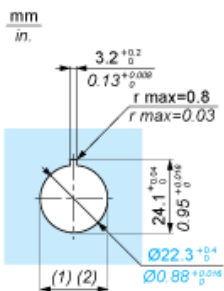
Connection by Screw Clamp Terminals



- (1) Diameter on finished panel or support
- (2) Ø42 mm recommended / Ø1.65 in. recommended (Head diameter)

Connections	a in mm	a in in.	b in mm	b in in.	c in mm	c in in.
By screw terminals	45	1.77	30	1.18	40	1.57

Connection by Screw Clamp Terminals



- (1) Diameter on finished panel or support
- (2) Ø22.5 mm recommended (Ø22.3 0+0.4) / Ø0.89 in. recommended (Ø0.88 in. 0+0.016)