



RAYCHEM | RAYCHEM SWFR X2

TE Internal #: EM7497-000

Black, 2:1, Single Wall Tubing, Shrinks To .591 in [15 mm], ZEROHAL Polyolefin, 1.244 in [31.6 mm] Inner Diameter, Flame-Retardant, RAYCHEM SWFR X2

[View on TE.com >](#)

Heat Shrink Tubing > SWFR-X2 Heat Shrink Tubing



Primary Product Color: **Black**

Wall Type: **Single Wall**

Expanded Inside Diameter (Min): **31.6 mm [1.244 in]**

Recovered Inside Diameter (Max): **15 mm [.591 in]**

Shrink Ratio: **2:1**

[All SWFR-X2 Heat Shrink Tubing \(21\)](#)

Features

Product Type Features

Wall Type	Single Wall
-----------	-------------

Electrical Characteristics

Operating Voltage (Max)	.6 kV
-------------------------	-------

Body Features

Fluid Type	Water
Primary Product Color	Black
Shrink Ratio	2:1
Primary Product Material	ZEROHAL Polyolefin
Flexibility	Very Flexible

Dimensions

Recovered Wall Thickness (Nominal)	.89 mm[.035 in]
Expanded Inside Diameter (Min)	31.6 mm[1.244 in]
Recovered Inside Diameter (Max)	15 mm[.591 in]

Usage Conditions

Shrink Temperature (Min)	70 °C
--------------------------	-------



Tubing Flammability Type	Flame-Retardant
--------------------------	-----------------

Operating Temperature Range	-30 – 125 °C
-----------------------------	--------------

Recovery Temperature	90 °C
----------------------	-------

Operation/Application

Mechanical Resistance	Abrasion
-----------------------	----------

Product Availability

Applicable Region	Global
-------------------	--------

Packaging Features

Packaging Method	Spool
------------------	-------

Other

Meets Low Outgassing Requirements	No
-----------------------------------	----

Product Source	China
----------------	-------

Product Compliance

[For compliance documentation, visit the product page on TE.com>](#)

EU RoHS Directive 2011/65/EU	Compliant
------------------------------	-----------

EU ELV Directive 2000/53/EC	Compliant
-----------------------------	-----------

China RoHS 2 Directive MIIT Order No 32, 2016	No Restricted Materials Above Threshold
-----------------------------------------------	-----------------------------------------

EU REACH Regulation (EC) No. 1907/2006	Current ECHA Candidate List: JUNE 2024 (241) Candidate List Declared Against: JUNE 2024 (241) Does not contain REACH SVHC
----------------------------------------	---------------------------------------------------------------------------------------------------------------------------------

Halogen Content	Low Halogen - Br, Cl, F, I < 900 ppm per homogenous material. Also BFR/CFR/PVC Free
-----------------	-------------------------------------------------------------------------------------

Solder Process Capability	Not applicable for solder process capability
---------------------------	----------------------------------------------

Product Compliance Disclaimer

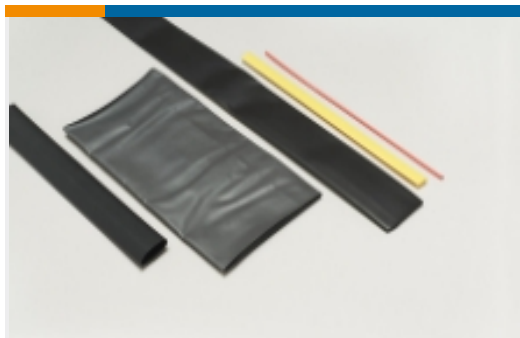
This information is provided based on reasonable inquiry of our suppliers and represents our current actual knowledge based on the information they provided. This information is subject to change. The part numbers that TE has identified as EU RoHS compliant have a maximum concentration of 0.1% by weight in homogenous materials for lead, hexavalent chromium, mercury, PBB, PBDE, DBP, BBP, DEHP, DIBP, and 0.01% for cadmium, or qualify for an exemption to these limits as defined in the Annexes of Directive 2011/65/EU (RoHS2). Finished electrical and electronic equipment products will be CE marked as required by Directive 2011/65/EU. Components may not be CE marked. Additionally, the part numbers that TE has identified as EU ELV compliant have a maximum concentration of 0.1% by weight in homogenous materials for lead, hexavalent chromium, and mercury, and 0.01% for cadmium, or qualify for an exemption to these limits as defined in the Annexes of Directive 2000/53/EC (ELV). Regarding the REACH Regulation, the information TE provides on SVHC in articles for this part number is based on the latest European Chemicals Agency (ECHA) 'Guidance on requirements for substances in articles' posted at this URL: <https://echa.europa.eu/guidance-documents/guidance-on-reach>

Compatible Parts



TE Part # EG1114-000
CV1981-ST-230V1600W-EU

Also in the Series | RAYCHEM SWFR X2



Heat Shrink Tubing(21)

Customers Also Bought



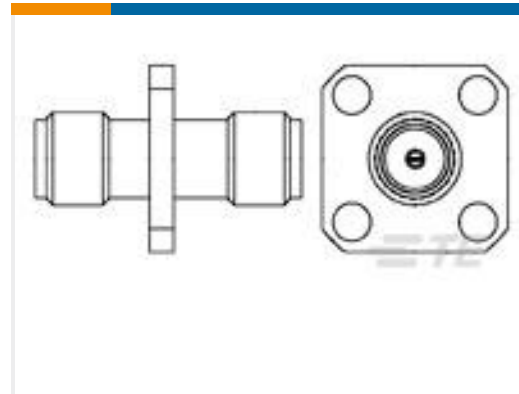
TE Part #1-2308345-7
FULL METAL HOODS SIZE 4 - 7 (RAW)



TE Part #EH9891-000
RMW-285/135-1200/U-0



TE Part #1676307-3
RN 0805 33K2 0.1% 10PPM 5KRL



TE Part #1054988-1
SMA Jack-Jack Adapter 2084 8002 92



TE Part #8-34104-1
SOLIS R 22-16 COMM 22-18 MIL 4



TE Part #ZPF000000000008192
983-6KE 08-03 SN



TE Part #ZPF000000000012330
DBAD 76-61-948 SN 1A

Documents

Product Drawings

X2-30.0-0-FSP-SM

English



[X2-30.0-0-FSP-SM](#)

English

[Datasheets & Catalog Pages](#)

[Highly Flame-Retardant, Zero halogen, Low Recovery Temperature, Metric-Sized Heat-Shrinkable Tubing](#)

English

[Product Specifications](#)

[Application Specification](#)

English