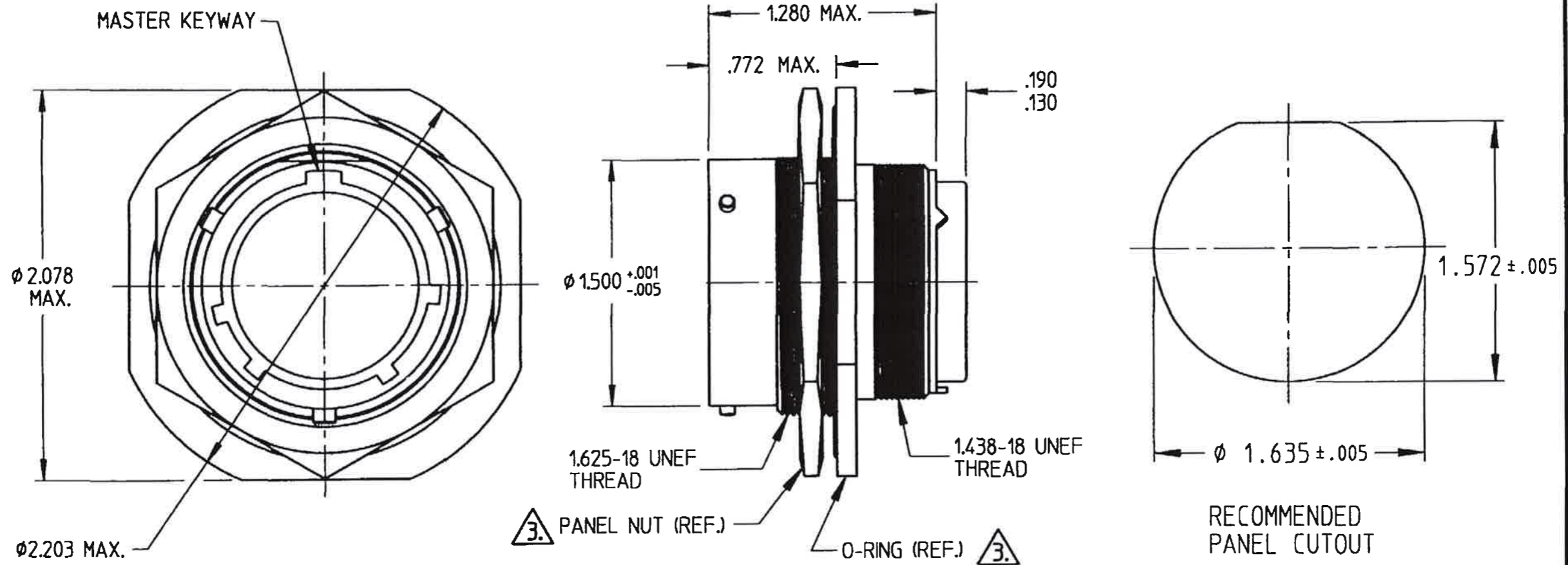


PROPERTY OF DEUTSCH E.C.D.

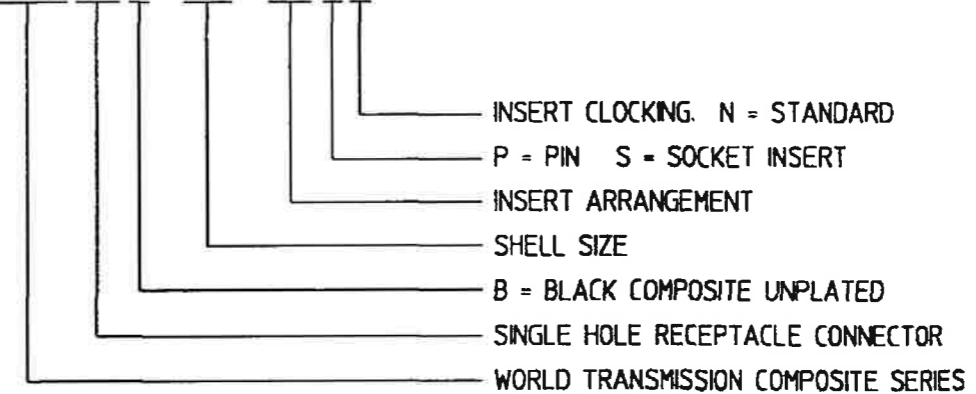
This drawing contains proprietary information that shall not be disclosed, duplicated, nor used in whole or in part for any purpose other than to evaluate this drawing.

N/C WTC04B-24**P/S*

REVISIONS		
REV	DESCRIPTION	DATE
N/C	NEW RELEASE PER E.O. C2635	1-17-97
		BTJH



WTC04B-24-31PN



4. AVAILABLE INSERT ARRANGEMENTS ARE ILLUSTRATED ON DEUTSCH INFORMATION DRAWING 0925-204-0000. ONLY SIZE 24 SHELLS AND INSERT ARRANGEMENTS ARE CURRENTLY AVAILABLE.

3. CONNECTOR IS SHIPPED LESS PANEL NUT, O-RING, BACKSHELL, CONTACTS, SEALING PLUGS, AND INSERTION/REMOVAL TOOLS.

2. MATERIALS. SHELL, PANEL NUT - COMPOSITE
 INSERTS - THERMOPLASTIC, ELASTOMER
 O-RING - SILICONE

1. DIMENSIONS ARE IN INCHES UNLESS OTHERWISE SPECIFIED.

SIGNATURE & DATE	
DR	N. CORBO 1-15-97
CHK	<i>[Signature]</i> 1-17-97
PE	N. CORBO 1-15-97
APPD	
SCALE	NONE
WT	

CONNECTOR, RECEPTACLE
 SINGLE HOLE MOUNTING
 BAYONET COUPLING
 COMPOSITE SHELL
 WORLD TERMINATION COMPOSITE SERIES
 ENVELOPE

CP		MATL CODE	
DEUTSCH ENGINEERED CONNECTING DEVICES			
36033 Whittier Ave. Hemet, California			
A DWG SIZE	WTC04B-24-**P/S*		
	CODE 1119	SHEET 1 OF 1	

WTC04B-24-XXF-SX-ENV_NC