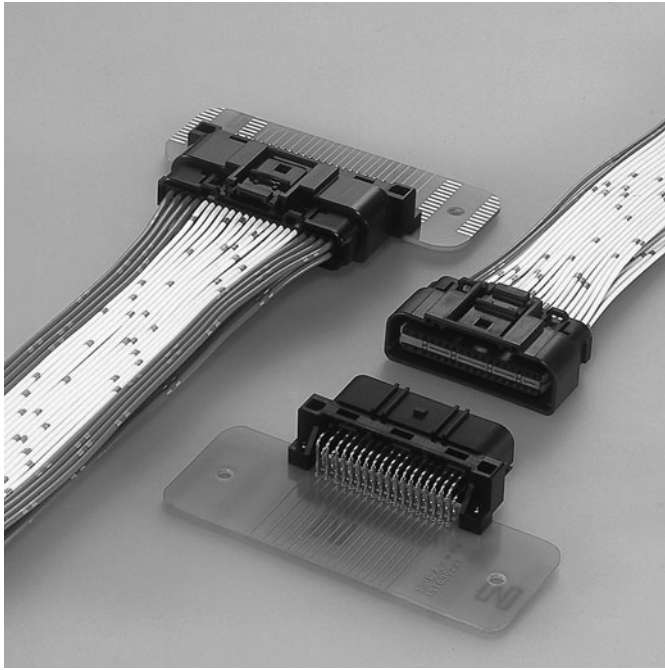


WPZ CONNECTOR

Sealed connectors/Board-to-wire



This is a multi-circuit sealed connector that achieves low profile and miniaturization.

Features

●Low insertion force, high contact reliability

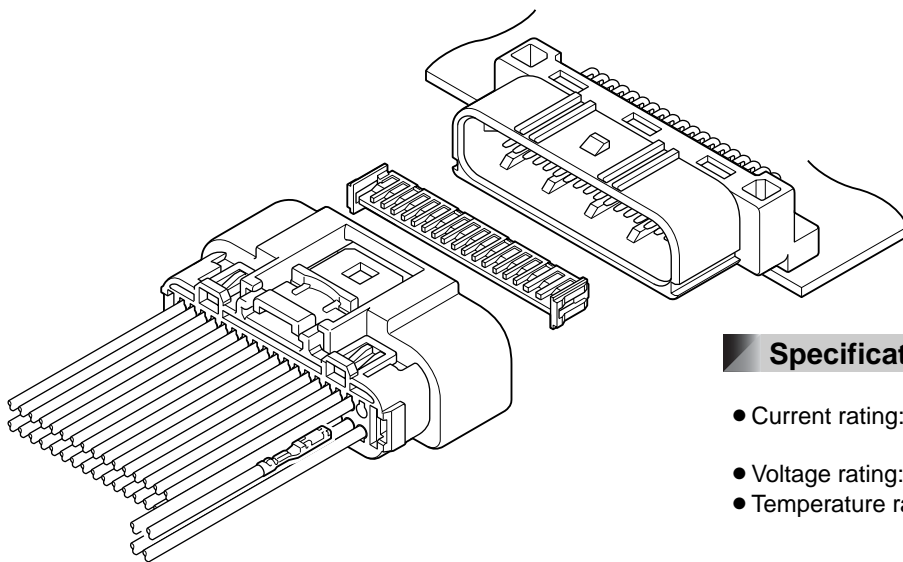
Gold plating is used for surface finish of contact part of a terminal so that low insertion force and high contact reliability are realized.

●Lock protection structure

This connector has the lock protection structure that prevents serious deformation of lock and pinching wires. When mating connector, or assembling wire harness with header, it prevents breakage of lock.

●Sealed

Mat seal is adopted for improving the workability of harness assembling.



Specifications

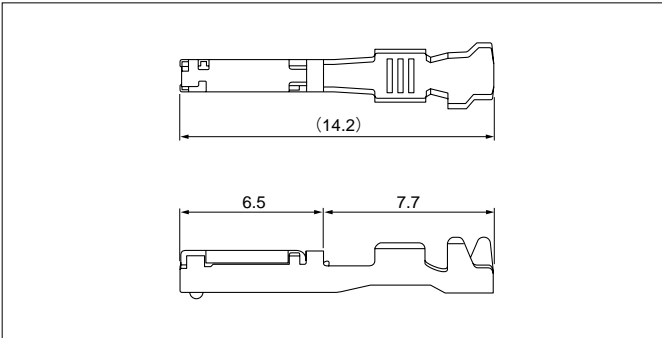
- Current rating: Signal/3A AC, DC (0.5mm², Single circuit)
Power/7A AC, DC (1.25mm², Single circuit)
- Voltage rating: 200V AC, DC
- Temperature range: -40°C to +125°C
(including temperature rise in applying electrical current)
- Contact resistance: Initial value/5mΩ max.
After environmental testing/10mΩ max.
- Insulation resistance: 100MΩ min.
- Withstanding voltage: 1,000V AC/minute
- Applicable wire: Signal/0.3mm² to 0.5mm²
Power/0.75mm² to 1.25mm²

* Compliant with ELV/RoHS.

* Contact JST for details.

WPZ CONNECTOR

Female terminal

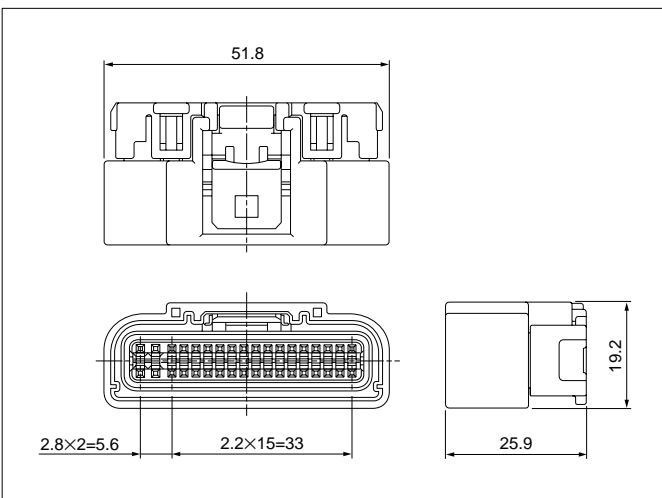


Terminal	Model No.	Applicable wire range		Q'ty/reel
		Conductor (mm ²)	Insulation O.D. (mm)	
S	SWPZ-A031GG-M025	0.3 to 0.5	1.4 to 1.8	8,000
M	SWPZ-A041GG-M025	0.75 to 1.25	1.8 to 2.2	6,000

Material and Finish

Copper alloy, nickel-undercoated,
Contact area; gold-plated
Barrel area; tin-plated (reflow treatment)

Female housing

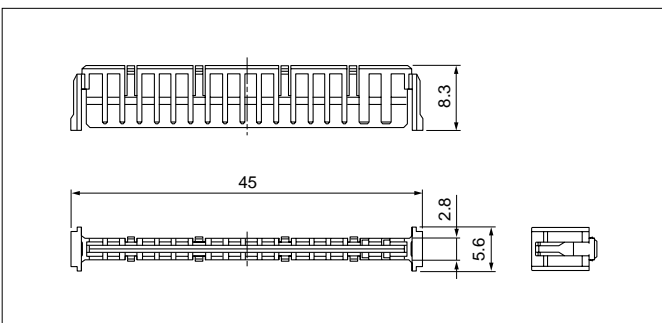


Circuits	Model No.	Q'ty/box
36	WPZFBC-36-KKA	192

Material

Housing: PBT, black
Connector seal: Silicon, brown
Seal cover: PBT, black
Wire seal: Silicon, brown

Retainer

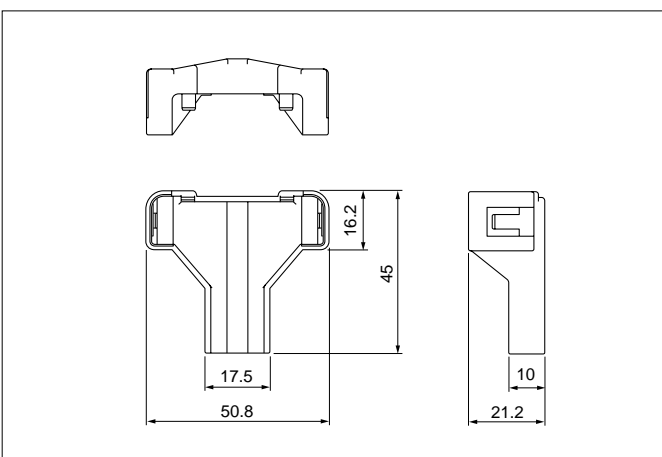


Circuits	Model No.	Q'ty/box
36	WPZT-36-P	150

Material

PBT, light purple

Wire cover

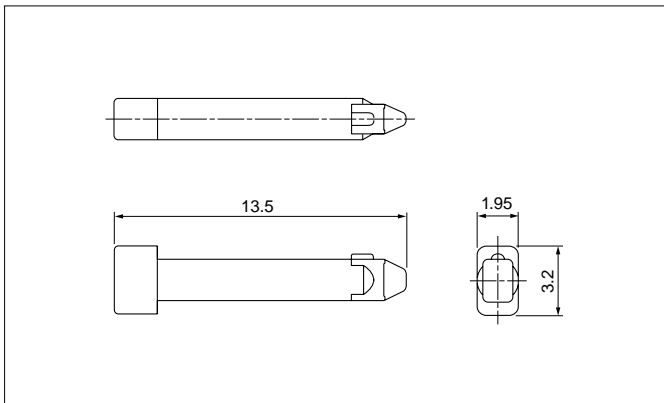


Model No.	Q'ty/box
WPZC-36-WV	100

Material

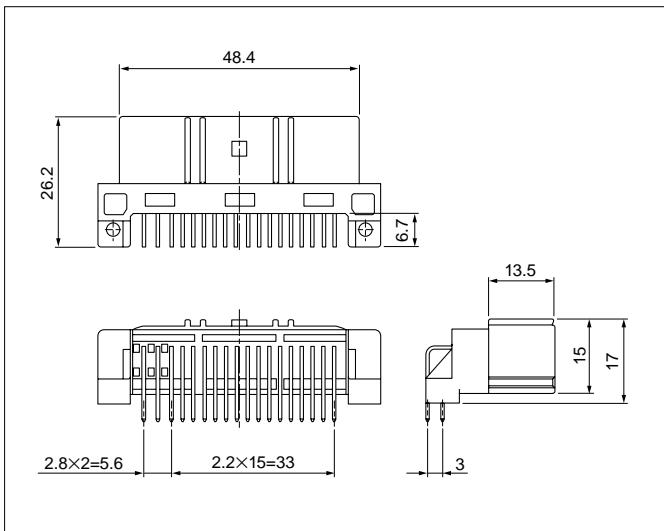
PP, white

Dummy plug



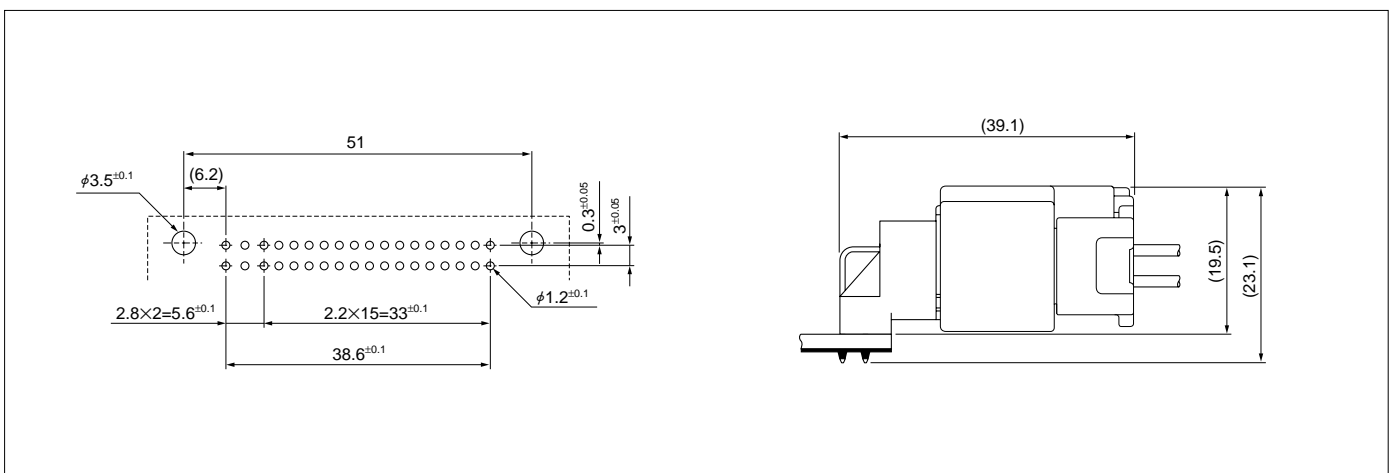
Model No.	Q'ty/box
WPZD-P	3,000
Material	
PBT, light purple	

Header



Circuits	Model No.	Q'ty/box
36	S36B-WPZK-A	192
Material and Finish		
Pin: Brass, nickel-undercoated, Contact area; gold-plated Solder tail; tin/copper plated Housing: PBT, black		

PC board layout, Assembly layout



- Note: 1. Tolerances are non-cumulative: $\pm 0.05\text{mm}$ for all centers.
 2. Hole dimensions differ according to the type of PC board and piercing method.
 The dimensions above should serve as guideline. Contact JST for details.

Crimping machine, Applicator

Strip terminal	Crimping machine	Crimp applicator MKS-L	
		Dies	Crimp applicator with dies
SWPZ-A031GG-M025	AP-K2N	MK/SWPZ-A031-025	APLMK SWPZ-A031-025
SWPZ-A041GG-M025		MK/SWPZ-A041-025	APLMK SWPZ-A041-025

Note: When crimping operation is conducted using an applicator and die set other than the above, JST cannot guarantee the performance of the terminal.