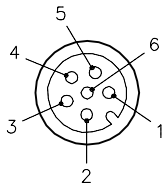
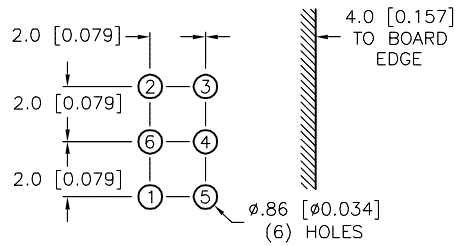


FEMALE END VIEW

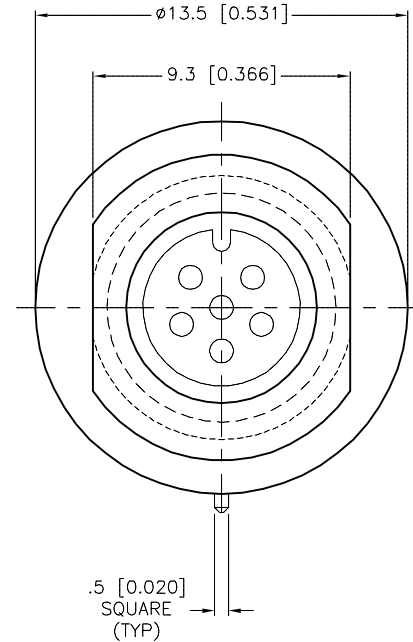
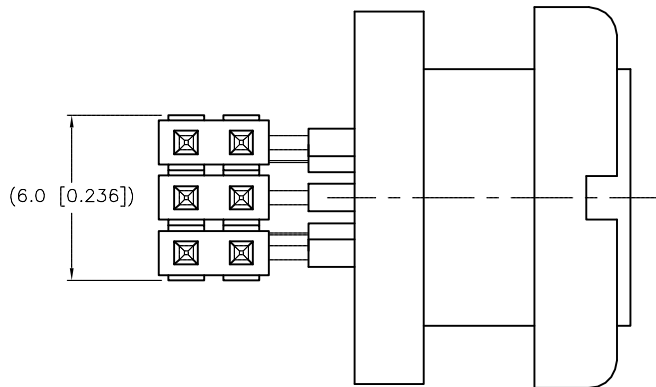
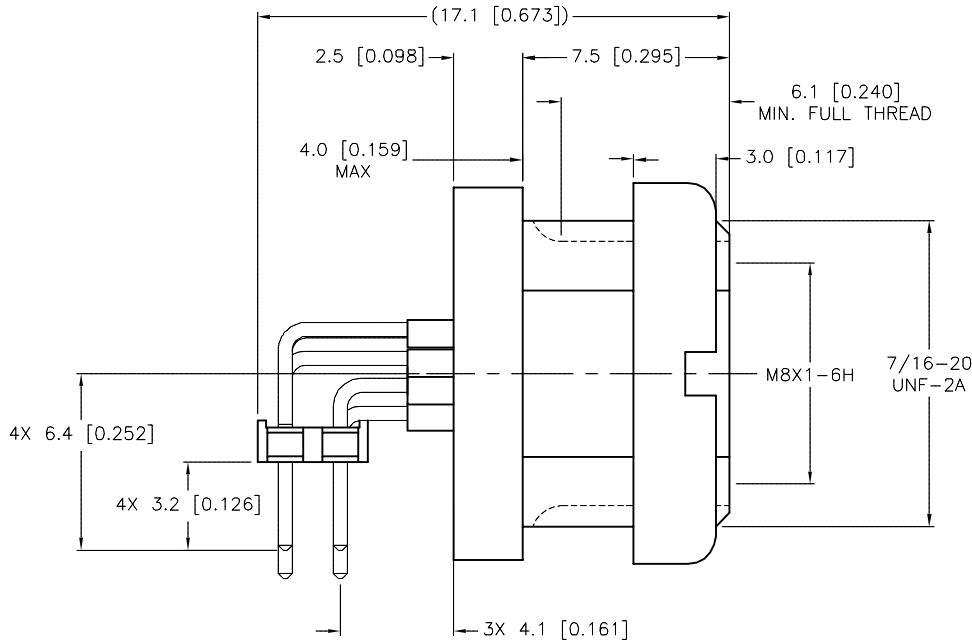


PIN-OUT DIAGRAM



SPECIFICATIONS

CONTACT CARRIER MATERIAL	TPU
CONTACT MATERIAL/PLATING	BRASS/GOLD
HOUSING MATERIAL/PLATING	BRASS/NICKEL
NUMBER OF CONTACTS	6 x 0.025 IN SQ. POSTS
RATED CURRENT [A]	1.0 A
RATED VOLTAGE [V]	24 VDC
TEMPERATURE RANGE	-30°C to +80°C (-22°F to +176°F)
PROTECTION CLASS	MEETS NEMA 1,3,4,6P AND IEC IP67



SOURCE DRAWING - FOR REFERENCE ONLY

RELATED DOCUMENTS 1. 2. 3. 4.	3RD ANGLE PROJECTION 	THIS DRAWING IS CONFIDENTIAL AND THE PROPERTY OF TURCK INC. USE OF THIS DOCUMENT WITHOUT WRITTEN PERMISSION IS PROHIBITED.		3000 CAMPUS DRIVE MINNEAPOLIS, MN 55441 1-800-544-7769 (763) 553-7300 (763) 553-0708 fax turck.com	
	MATERIAL	DRFT GC	DATE 09/24/02	DESCRIPTION WMFK 6F-PCB	
FINISH	ALL DIMENSIONS DISPLAYED ON THIS DRAWING ARE FOR REFERENCE ONLY CONTACT TURCK FOR MORE INFORMATION	APVD GC	SCALE 4=1	IDENTIFICATION NO. U0902-40	
		UNIT OF MEASUREMENT MILLIMETER [INCH]		REV D	
D UPDATE TO TPU CONTACT CARRIER		RDS	06/01/15	49046	
REV	DESCRIPTION	BY	DATE	ECO NO.	
DO NOT SCALE THIS DRAWING		FILE: PIC\U0902-40		SHEET 1 OF 1	