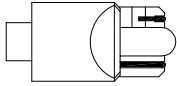
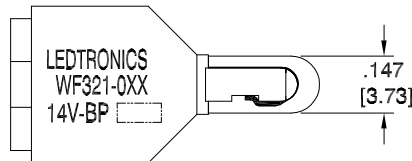
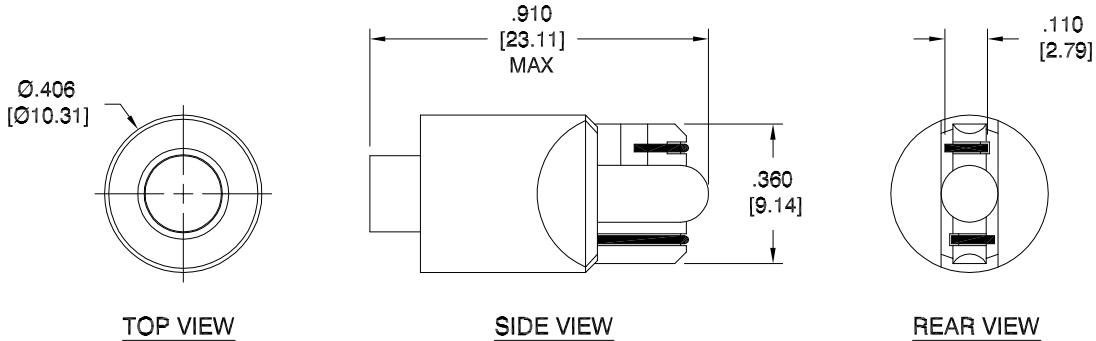


LTR	REVISION	DATE	APPD
A	053118-GP06: UPDATED TEST DATA	10-05-18	GP



ACTUAL SIZE



**NOTES:**

1. ALL DIMENSIONS ARE IN INCHES [MILLIMETERS].
2. SLEEVE MATERIAL: RYNITE

\*\*FULL BEAM WIDTH AT 50% INTENSITY

REVISION NOTIFICATION	
<input type="checkbox"/> DLC	
<input type="checkbox"/> UL/ETL	
<input type="checkbox"/> MADE IN USA	
<input type="checkbox"/> CUSTOMER _____	
<input type="checkbox"/> OTHER	
REDLINE CHECKLIST	
<input type="checkbox"/> REDLINE(YES)	
<input type="checkbox"/> DATE: _____	
<input type="checkbox"/> INITIATED BY: _____	
<input type="checkbox"/> ECR REQUIRED YES <input type="checkbox"/> NO <input type="checkbox"/>	
<input type="checkbox"/> WORK ORDER# _____	

**ELECTRICAL-OPTICAL CHARACTERISTICS (Ta = 25°C)**

WF321-OAG-014B	AQUA GREEN	(12/14Vdc@14Vdc)	0.24 W	0.017 A	1.020cd	518	110°	BipolarDC (+/-)
WF321-OCW-014B	COOL WHITE	(12/14Vdc@14Vdc)	0.24 W	0.017 A	1.870cd	8000K	100°	BipolarDC (+/-)
WF321-OUR-014B	ULTRA RED	(12/14Vdc@14Vdc)	0.27 W	0.019 A	0.109cd	652	120°	BipolarDC (+/-)
LEDTRONICS PART NO.	COLOR EMITTED	INPUT VOLTAGE, V	POWER (W)	CURRENT (A)	MAXIMUM CANDELA	$\lambda_P$ nm COLOR TEMP. (K)	VIEWING ANGLE (FULL BEAM WIDTH @ 50% INTENSITY)	CONTACT POLARITY

 LEDTRONICS,™ INC. 23105 KASHIWA COURT TORRANCE, CA 90505	-PROPRIETARY- This document contains Proprietary information of LEDTRONICS,™ INC. It may not be copied, used or disclosed for any purpose without the prior express written consent of LEDTRONICS,™ INC.		<b>TITLE</b> WF321-0XX-014B					
	.XXX ± .010 TOLERANCE PER ANSI-Y14.5 .XX ± .025 (UNLESS OTHERWISE STATED) ANGLES ± 0°,30' FRACT. ± 1/32		DWG NO WF321-14V-BP	SCALE 2:1	SHEET 1 OF 1	DATE 03-24-11		
	CODE IDENT NO. 8Z410	DWG BY GP 03-24-11	CHK BY	QA EE 10-10-18	MFG LD 10-10-18	R&D KS 10-10-18		