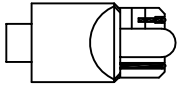
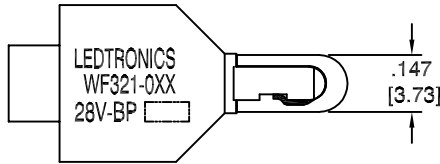
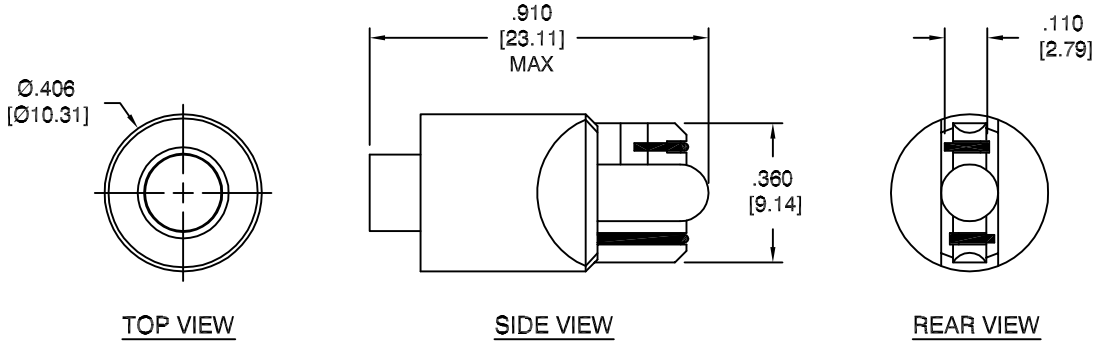


LTR	REVISION	DATE	APPD
B	112321-HF01: UPDATED ROTATED VIEW	11-23-21	HF



ACTUAL SIZE



NOTES:

1. ALL DIMENSIONS ARE IN INCHES [MILLIMETERS].
2. SLEEVE MATERIAL: RYNITE

**FULL BEAM WIDTH AT 50% INTENSITY

REVISION NOTIFICATION
<input type="checkbox"/> DLC
<input type="checkbox"/> UL/ETL
<input type="checkbox"/> MADE IN USA
<input type="checkbox"/> CUSTOMER _____
<input type="checkbox"/> OTHER _____
REDLINE CHECKLIST
<input type="checkbox"/> REDLINE(YES)
<input type="checkbox"/> DATE: _____
<input type="checkbox"/> INITIATED BY: _____
<input type="checkbox"/> ECR REQUIRED YES <input type="checkbox"/> NO <input type="checkbox"/>
<input type="checkbox"/> WORK ORDER# _____

ELECTRICAL-OPTICAL CHARACTERISTICS (Ta = 25°C)

WF321-0AG-028B	AQUA GREEN	(24/28Vdc@28Vdc)	0.45 W	0.016 A	0.960cd	518	110°	BipolarDC (+/-)
WF321-0CW-028B	COOL WHITE	(24/28Vdc@28Vdc)	0.45 W	0.016 A	1.760cd	8000K	100°	BipolarDC (+/-)
WF321-0UR-028B	ULTRA RED	(24/28Vdc@28Vdc)	0.48 W	0.017 A	0.098cd	652	80°	BipolarDC (+/-)
LEDTRONICS PART NO.	COLOR EMITTED	INPUT VOLTAGE, V	POWER (W)	CURRENT (A)	MAXIMUM CANDELA	λP nm COLOR TEMP. (K)	VIEWING ANGLE (FULL BEAM WIDTH @ 50% INTENSITY)	CONTACT POLARITY

 LEDTRONICS, INC. 23105 KASHIWA COURT TORRANCE, CA 90505	-PROPRIETARY- This document contains Proprietary Information of LEDTRONICS, INC. It may not be copied, used or disclosed for any purpose without the prior express written consent of LEDTRONICS, INC.		TITLE WF321-0XX-028B								
	.XXX ± .010 TOLERANCE PER ANSI-Y14.5 .XX ± .025 (UNLESS OTHERWISE STATED) ANGLES ± 0°,30' FRACT. ± 1/32	DWG NO WF321-28V-BP	SCALE 2:1	SHEET 1 OF 1	DATE 05-01-14	CODE IDENT NO. 8Z410	DWG BY GP 05-01-14	CHK BY	QA SB 11-29-21	MFG LD 11-23-21	R&D UF 11-23-21