

Weidmüller's LM 5.00 and 5.08 mm printed circuit board terminal blocks, featuring a low profile, provide an excellent solution in a broad range of applications where space saving and high packaging density are critical. Like other Weidmüller screw clamp terminal blocks, the LM series provides vibration-proof and gas-tight connections thanks to Weidmüller's superior mechanical clamping yoke design.

The LM series features two and three pole modules which can be dovetailed up to 24 poles laterally, while maintaining true pitch. The double-level LMs can be produced up to 48 poles, while the triple-level LMs can be dovetailed up to a maximum of 72 positions.

The single-level LM terminal blocks are available in wire entry orientations of 90, 135 and 180 degrees. The 5.08 mm series double- and triple-level products are available with a 90 degree wire orientation. The multi-level design allows for board population prior to wire termination. All LM versions provide secure connections for up to 12 AWG wire sizes.

The LM terminal blocks are footprint compatible with Weidmüller's double- and triple-level tension clamp terminal blocks. This provides the flexibility of switching between screw clamp and tension clamp without changing the existing board layout, thus allowing freedom of choice for your application.

For ease and flexibility, the terminal blocks offer a large marking area which accommodates either adhesive marking strips or pad printing directly on the terminal.

The LM series fulfills international standards UL, CSA, and VDE, so it is suitable for applications worldwide. The blocks are UL rated at 300 V and 10 A. The single-level 5.00 mm pitch version is available in black, while the single-, double-, and triple-level 5.08 mm versions are available in black and orange.

All Weidmüller PCB terminal blocks are made from Polyamide 66, a rugged and durable nylon molding material with a UL 94, V-2, self-extinguishing flammability rating.

NEW

LM 5.00/5.08 Terminal Blocks

Features

- Low profile for space savings
- Multi-level for high packaging density on PCB
- Footprint compatible with Weidmüller's tension clamp terminal blocks for added design and application flexibility
- Proven gas-tight screw clamp termination
- Multiple wire orientations
- Large marking area
- Maintenance free secure connection

For more information, contact

Weidmüller Inc.

Telephone (800) 849-9343

Facsimile (804) 379-2593

E-Mail info@weidmuller.com

Website www.weidmuller.com



ISO 9001
A2025

LM 5.00/5.08 Terminal Blocks

Technical Data / Derating Curves

Materials	
Insulation material	
Color	
Temperature range	°C
Flammability class.	UL94
Basis contact material	
Contact plating	

Technical data	
Pitch ³⁾	mm
Connection method	
Solder pin length	mm
PCB hole diameter	Ømm
Insulation stripping length	mm
Clamping screw	M
Insulation resistance	MΩ
Through resistance	mΩ
Torque ²⁾	Nm

UL Rated Data	
Rated voltage, industrial	V~
Rated current	A
Wire size	AWG

CSA Rated Data	
Rated voltage, industrial	V~
Rated current	A
Wire size	AWG

VDE 0110 1.89 Rated Data	
Rated cross-section to EN 60999	mm ²
Rated current ¹⁾	A
for LM 5.00/5.08	A
for LM2N 5.08	A
for LM2H 5.08	A
for LM3R 5.08	A

Overvoltage category / Pollution severity	
Rated voltage	V
Impulse voltage	kV

- Application notes**
- referred to 20°C ambient temperature, rated cross-section and number of poles
 - the connection point was tested at a rated torque of 0.4 Nm and thus complies with EN 60999 standard
 - max. 24 poles can be attached laterally

LM 5.00
PA 66
Black
-20...+100
V-2
CuZn
Tin

5.00
Clamping yoke system
3.5
1.3+0.1
6.0
2.5
≥ 10 ⁶
≤ 2.3
0.4

300
10
24...12

300
10
24...12

1.5
17.5
-
-
-

III/3	III/2	II/2
250	250	500
4	4	4

LM 5.08
PA 66
Orange, black
-20...+100
V-2
CuZn
Tin

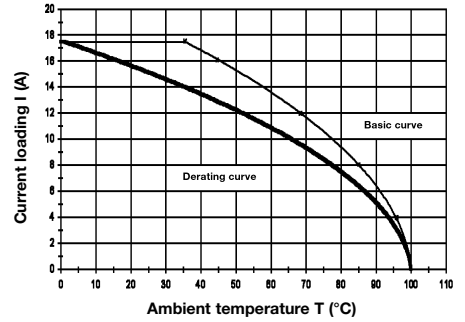
5.08
Clamping yoke system
3.5
1.3+0.1
6.0
2.5
≥ 10 ⁶
≤ 2.3
0.4

300
10
24...12

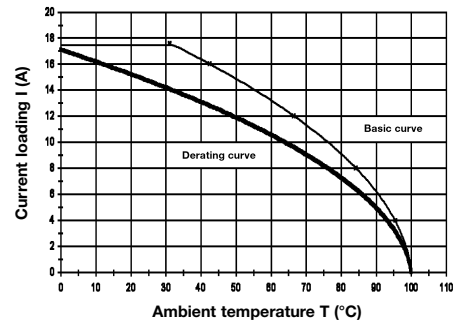
300
10
24...12

1.5
17.5
15.5
15
13.5

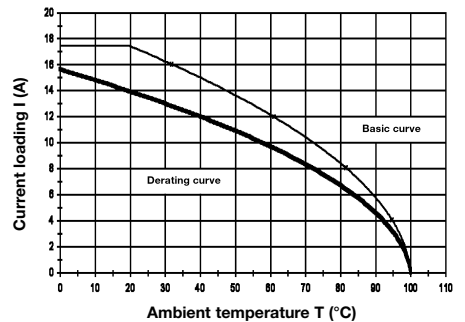
III/3	III/2	II/2
250	250	500
4	4	4



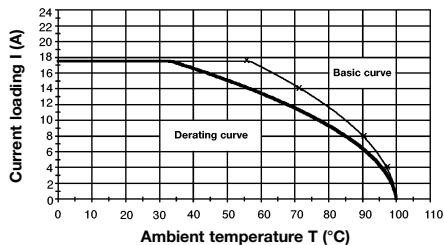
LM2N 5.08/90/6 poles
H07V-K1.5 mm² mm



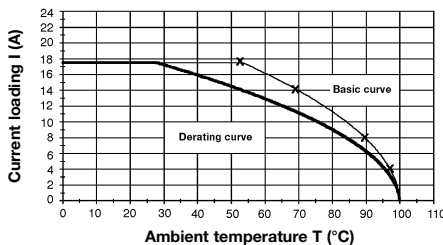
LM2H 5.08/90/6 poles
H07V-K1.5 mm² mm



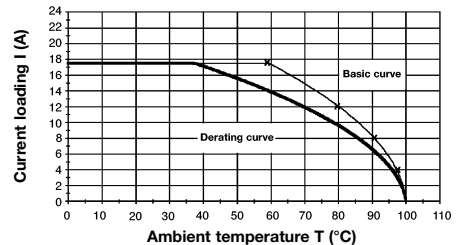
LM3R 5.08/90/6 poles
H07V-K1.5 mm² mm



LM 5.08/90/6 poles
H07V-K1.5 mm² mm



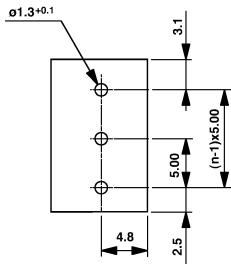
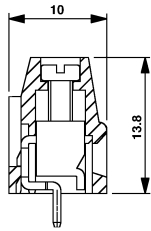
LM 5.08/180/6 poles
H07V-K1.5 mm² mm



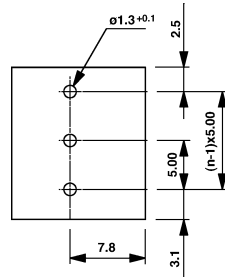
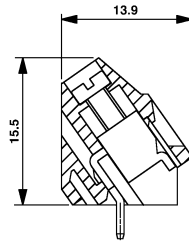
LM 5.08/135/6 poles
H07V-K1.5 mm² mm

LM 5.00/5.08 Terminal Blocks

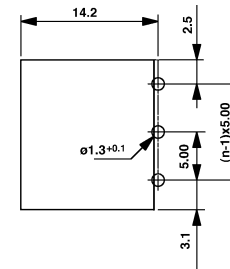
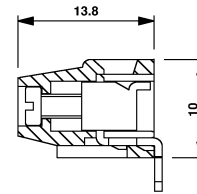
LM 5.00/90
Single-Level
90° Orientation



LM 5.00/135
Single-Level
135° Orientation



LM 5.00/180
Single-Level
180° Orientation

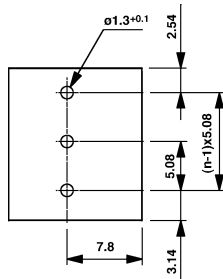
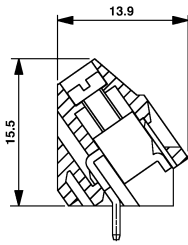


Solder pin length		3.5 mm
Poles	Description	Part No. Black
2	LM 5.00/90/2	171525
3	LM 5.00/90/3	171526
4	LM 5.00/90/4	999330
5	LM 5.00/90/5	999331
6	LM 5.00/90/6	999332
7	LM 5.00/90/7	999333
8	LM 5.00/90/8	999334
9	LM 5.00/90/9	999335
10	LM 5.00/90/10	999336
11	LM 5.00/90/11	999337
12	LM 5.00/90/12	999338
13	LM 5.00/90/13	999339
14	LM 5.00/90/14	999340
15	LM 5.00/90/15	999341
16	LM 5.00/90/16	999342
17	LM 5.00/90/17	999343
18	LM 5.00/90/18	999344
19	LM 5.00/90/19	999345
20	LM 5.00/90/20	999346
21	LM 5.00/90/21	999347
22	LM 5.00/90/22	999348
23	LM 5.00/90/23	999349
24	LM 5.00/90/24	999350

Solder pin length		3.5 mm
Poles	Description	Part No. Black
2	LM 5.00/135/2	171529
3	LM 5.00/135/3	171530
4	LM 5.00/135/4	999351
5	LM 5.00/135/5	999352
6	LM 5.00/135/6	999353
7	LM 5.00/135/7	999354
8	LM 5.00/135/8	999355
9	LM 5.00/135/9	999356
10	LM 5.00/135/10	999357
11	LM 5.00/135/11	999358
12	LM 5.00/135/12	999359
13	LM 5.00/135/13	999360
14	LM 5.00/135/14	999361
15	LM 5.00/135/15	999362
16	LM 5.00/135/16	999363
17	LM 5.00/135/17	999364
18	LM 5.00/135/18	999365
19	LM 5.00/135/19	999366
20	LM 5.00/135/20	999367
21	LM 5.00/135/21	999368
22	LM 5.00/135/22	999369
23	LM 5.00/135/23	999370
24	LM 5.00/135/24	999371

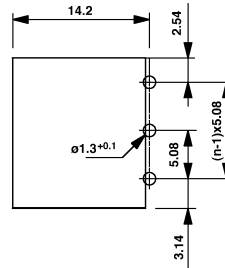
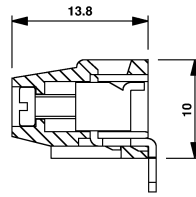
Solder pin length		3.5 mm
Poles	Description	Part No. Black
2	LM 5.00/180/2	171527
3	LM 5.00/180/3	171528
4	LM 5.00/180/4	999372
5	LM 5.00/180/5	999373
6	LM 5.00/180/6	999374
7	LM 5.00/180/7	999375
8	LM 5.00/180/8	999376
9	LM 5.00/180/9	999377
10	LM 5.00/180/10	999378
11	LM 5.00/180/11	999379
12	LM 5.00/180/12	999380
13	LM 5.00/180/13	999381
14	LM 5.00/180/14	999382
15	LM 5.00/180/15	999383
16	LM 5.00/180/16	999384
17	LM 5.00/180/17	999385
18	LM 5.00/180/18	999386
19	LM 5.00/180/19	999301
20	LM 5.00/180/20	999387
21	LM 5.00/180/21	999388
22	LM 5.00/180/22	999389
23	LM 5.00/180/23	999390
24	LM 5.00/180/24	999391

LM 5.08/135
Single-Level
135° Orientation



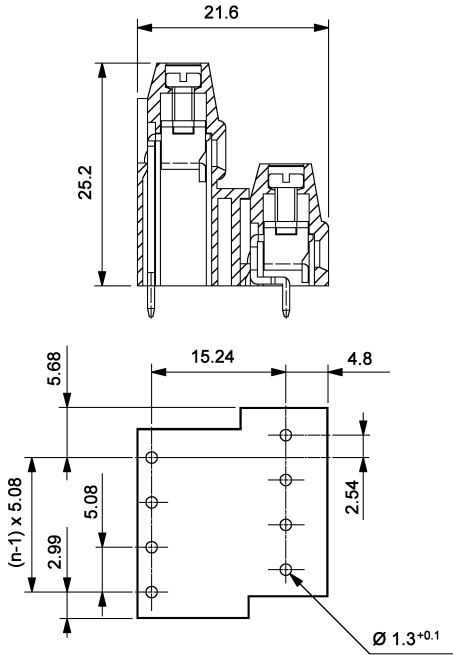
Solder pin length		3.5 mm	3.5 mm
Poles	Description	Part No. Orange	Black
2	LM 5.08/135/2	171612	171606
3	LM 5.08/135/3	171613	171607
4	LM 5.08/135/4	999455	999434
5	LM 5.08/135/5	999456	999435
6	LM 5.08/135/6	999457	999436
7	LM 5.08/135/7	999458	999437
8	LM 5.08/135/8	999459	999438
9	LM 5.08/135/9	999460	999439
10	LM 5.08/135/10	999461	999440
11	LM 5.08/135/11	999462	999441
12	LM 5.08/135/12	999463	999442
13	LM 5.08/135/13	999464	999443
14	LM 5.08/135/14	999465	999444
15	LM 5.08/135/15	999466	999445
16	LM 5.08/135/16	999467	999446
17	LM 5.08/135/17	999468	999447
18	LM 5.08/135/18	999469	999448
19	LM 5.08/135/19	999470	999449
20	LM 5.08/135/20	999471	999450
21	LM 5.08/135/21	999472	999451
22	LM 5.08/135/22	999473	999452
23	LM 5.08/135/23	999474	999453
24	LM 5.08/135/24	999475	999454

LM 5.08/180
Single-Level
180° Orientation



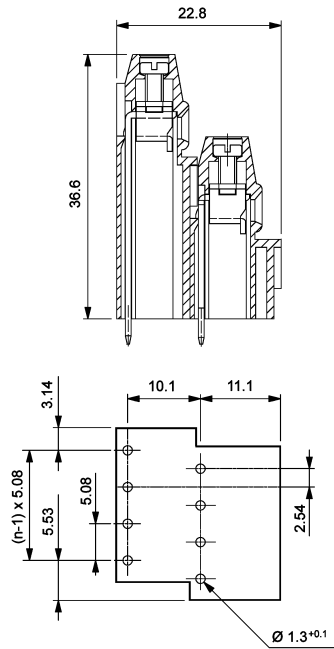
Solder pin length		3.5 mm	3.5 mm
Poles	Description	Part No. Orange	Black
2	LM 5.08/180/2	171610	171604
3	LM 5.08/180/3	171611	171605
4	LM 5.08/180/4	999497	999476
5	LM 5.08/180/5	999498	999477
6	LM 5.08/180/6	999499	999478
7	LM 5.08/180/7	999500	999479
8	LM 5.08/180/8	999501	999480
9	LM 5.08/180/9	999502	999481
10	LM 5.08/180/10	999503	999482
11	LM 5.08/180/11	999504	999483
12	LM 5.08/180/12	999505	999484
13	LM 5.08/180/13	999506	999485
14	LM 5.08/180/14	999507	999486
15	LM 5.08/180/15	999508	999487
16	LM 5.08/180/16	999509	999488
17	LM 5.08/180/17	999510	999489
18	LM 5.08/180/18	999511	999490
19	LM 5.08/180/19	999512	999491
20	LM 5.08/180/20	999513	999492
21	LM 5.08/180/21	999514	999493
22	LM 5.08/180/22	999515	999494
23	LM 5.08/180/23	999521	999495
24	LM 5.08/180/24	999522	999496

LM2N 5.08/90
Double-Level, Low Profile
90° Orientation



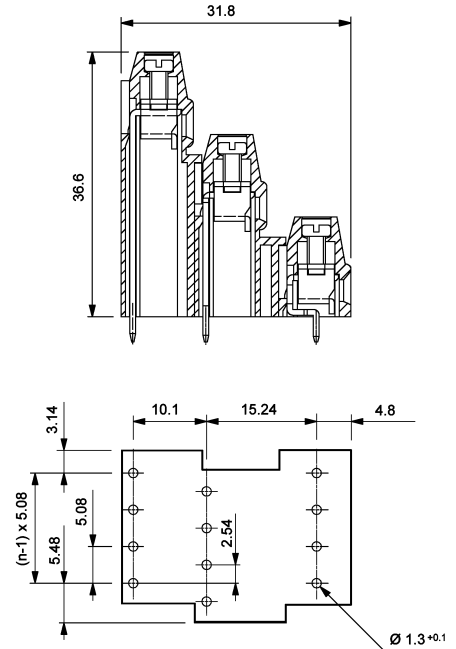
Solder pin length		3.5 mm	3.5 mm
Poles	Description	Part No.	Orange Black
4	LM2N 5.08/90/4	176885	176908
6	LM2N 5.08/90/6	176886	176909
8	LM2N 5.08/90/8	176887	176910
10	LM2N 5.08/90/10	176888	176911
12	LM2N 5.08/90/12	176889	176912
14	LM2N 5.08/90/14	176890	176913
16	LM2N 5.08/90/16	176891	176914
18	LM2N 5.08/90/18	176892	176915
20	LM2N 5.08/90/20	176893	176916
22	LM2N 5.08/90/22	176894	176917
24	LM2N 5.08/90/24	176895	176918
26	LM2N 5.08/90/26	176896	176919
28	LM2N 5.08/90/28	176897	176920
30	LM2N 5.08/90/30	176898	176921
32	LM2N 5.08/90/32	176899	-
34	LM2N 5.08/90/34	176900	-
36	LM2N 5.08/90/36	176901	-
38	LM2N 5.08/90/38	176902	-
40	LM2N 5.08/90/40	176903	-
42	LM2N 5.08/90/42	176904	-
44	LM2N 5.08/90/44	176905	-
46	LM2N 5.08/90/46	176906	-
48	LM2N 5.08/90/48	176907	-

LM2H 5.08/90
Double-Level, High Profile
90° Orientation



Solder pin length		3.5 mm	3.5 mm
Poles	Description	Part No.	Orange Black
4	LM2H 5.08/90/4	176924	176947
6	LM2H 5.08/90/6	176925	176948
8	LM2H 5.08/90/8	176926	176949
10	LM2H 5.08/90/10	176927	176950
12	LM2H 5.08/90/12	176928	176951
14	LM2H 5.08/90/14	176929	176952
16	LM2H 5.08/90/16	176930	176953
18	LM2H 5.08/90/18	176931	176954
20	LM2H 5.08/90/20	176932	176955
22	LM2H 5.08/90/22	176933	176956
24	LM2H 5.08/90/24	176934	176957
26	LM2H 5.08/90/26	176935	176958
28	LM2H 5.08/90/28	176936	176959
30	LM2H 5.08/90/30	176937	176960
32	LM2H 5.08/90/32	176938	-
34	LM2H 5.08/90/34	176939	-
36	LM2H 5.08/90/36	176940	-
38	LM2H 5.08/90/38	176941	-
40	LM2H 5.08/90/40	176942	-
42	LM2H 5.08/90/42	176943	-
44	LM2H 5.08/90/44	176944	-
46	LM2H 5.08/90/46	176945	-
48	LM2H 5.08/90/48	176946	-

LM3R 5.08/90
Triple-Level
90° Orientation



Solder pin length		3.5 mm	3.5 mm
Poles	Description	Part No.	Orange Black
6	LM3R 5.08/90/6	176962	176993
9	LM3R 5.08/90/9	176963	176994
12	LM3R 5.08/90/12	176964	176995
15	LM3R 5.08/90/15	176965	176996
18	LM3R 5.08/90/18	176966	176997
21	LM3R 5.08/90/21	176967	176998
24	LM3R 5.08/90/24	176968	176999
27	LM3R 5.08/90/27	176969	177000
30	LM3R 5.08/90/30	176970	177001
33	LM3R 5.08/90/33	176971	177002
36	LM3R 5.08/90/36	176972	177003
39	LM3R 5.08/90/39	176973	177004
42	LM3R 5.08/90/42	176974	177005
45	LM3R 5.08/90/45	176975	177006
48	LM3R 5.08/90/48	176976	-
51	LM3R 5.08/90/51	176977	-
54	LM3R 5.08/90/54	176978	-
57	LM3R 5.08/90/57	176979	-
60	LM3R 5.08/90/60	176980	-
63	LM3R 5.08/90/63	176981	-
66	LM3R 5.08/90/66	176982	-
69	LM3R 5.08/90/69	176983	-
72	LM3R 5.08/90/72	176984	-