

SPDT, DPDT & 3PDT, 15 AMPS

UL CONTACT LOAD RATINGS TABLE

POLES	CURRENT OR HORSE POWER	LOAD VOLTAGE	LOAD VOLTAGE FREQUENCY	TYPE OF LOAD
1 POLE THRU 3 POLES	15 AMP	120/240 VAC	50/60 Hz	RESISTIVE
	10AMP	28 VDC	DC	RESISTIVE
	1/3 HP	120 VAC	50/60 Hz	MOTOR
	1/2 HP	240 VAC	50/60 Hz	MOTOR

UL us
UL Recognized
File No. E13224

SP 168986

CE

UL LISTED 367G
IND. CONT. EQ.
C US
WHEN USED
WITH SOCKETS
70-463-1

COMPLIES WITH REQUIREMENTS OF
* IEC STANDARDS 947-4-1 AND 947-5-1 LOW VOLTAGE DIRECTIVE
* IEC = INTERNATIONAL ELECTROTECHNICAL COMMISSION
* CE TESTING AND EVALUATION PERFORMED BY THE UNDERWRITERS LABORATORIES AS A THIRD PARTY PARTICIPANT

CURRENT LIMITED TO RATING OF RELAY OR SOCKET WHICHEVER IS LESS.

MANUFACTURED UNDER ISO 9002 & QS 9000

GENERAL SPECIFICATIONS

COIL

Pull-in Voltage: 80% of nominal voltage or less for DC coils
85% of nominal voltage or less for AC coils

Dropout Voltage: 10% of nominal voltage or more

Max. Voltage: 110%

Resistance: ± 10 % measured at 25°C

Coil Power: 1.2 watts for DC coils,
2 VA to 2.75 VA for AC @ 25°C

Insulation System: Class "B" (130°C per UL standard 1446)

Maximum Coil Dissipation: 3.0 watts max. DC

Duty: Continuous

CONTACTS

Contact Material: 0.187 silver cadmium oxide, gold flashed

Contact Resistance: 50 milliohms maximum initial resistance at rated current

Contact Ratings: See "UL CONTACT LOAD RATINGS TABLE"

DIELECTRIC STRENGTH

Contacts to Coil: 2000 V rms

Across Open Contacts: 500 V rms

Pole to Pole: 2000 V rms

Contacts to Frame: 2000 V rms

Insulation Resistance: 1000 megohms @ 500 VDC

TEMPERATURE

Operating: -30°C to +50°C (AC), -30°C to +65°C (DC)

Storage: -30°C to 100°C

LIFE EXPECTANCY

Electrical: 100,000 operations @ rated resistive load

Mechanical: 5,000,000 operations @ no load

MISCELLANEOUS

Operating Position: Any

Insulation material: Molded plastic

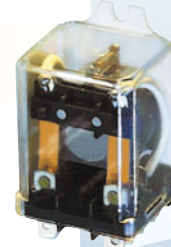
Enclosure: Polycarbonate dust cover

Terminals: 0.187 x 0.032 quick connect flange or 0.187 x 0.020 solder/plug-in. Optional printed circuit terminals available

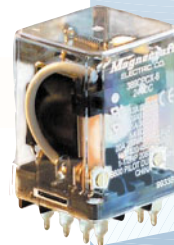
Weight: 88 grams approx.



PLUG-IN

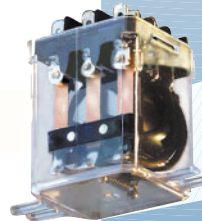


FLANGE MOUNT



OPTIONAL P.C. TERMINAL
CONSULT FACTORY.

PRINTED CIRCUIT TERMINAL



OPTIONAL TOP FLANGE
COVER CONSULT FACTORY.

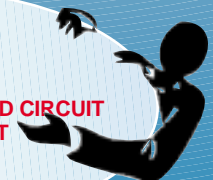
TOP FLANGE MOUNT



OPTIONAL DIN COVER
CONSULT FACTORY.

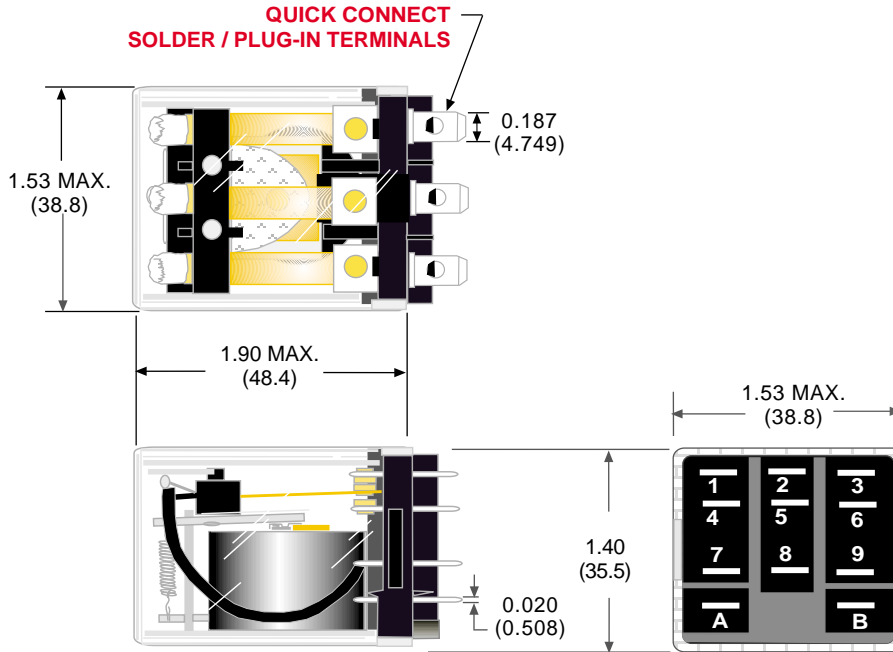
DIN MOUNT COVER

Mating Sockets
70-463-1: SCREW/DIN
70-124-1: SOLDER
70-178-1, 70-178-2: PRINTED CIRCUIT
70-124-2: QUICK CONNECT
See section 8, page 16, 17



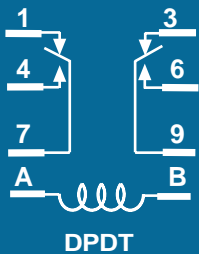
SPDT, DPDT & 3PDT, 15 AMPS

OUTLINE DIMENSIONS
DIMENSIONS SHOWN IN INCHES & (MILLIMETERS).

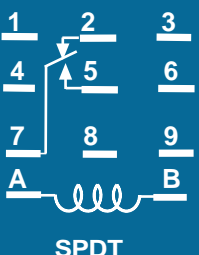


SEE CLASS 788 FOR PART NUMBERS WITH L.E.D. STATUS LAMP AND PUSH BUTTON

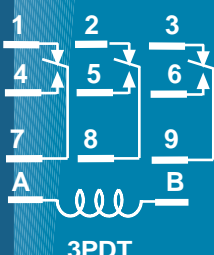
WIRING DIAGRAMS
(VIEWED FROM PIN END)



DPDT



SPDT



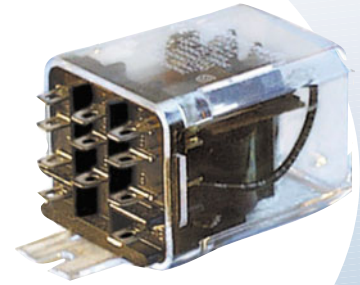
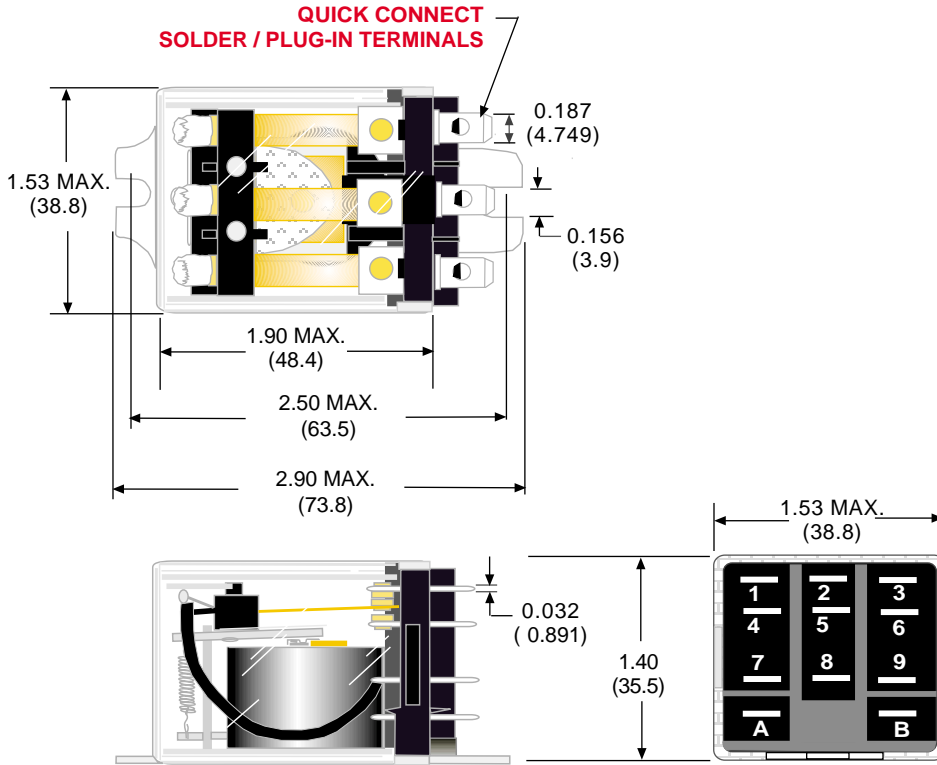
3PDT

STANDARD PART NUMBERS		CONTACT CONFIGURATION	COIL MEASURED @ 25°C	
A283	W388		NOMINAL INPUT VOLTAGE	NOMINAL RESISTANCE (OHMS)
AC OPERATED SOLDER/PLUG-IN, 15 AMP				
A283XAXC-120A	W388ACPX-4	SPDT	120 VAC, 50/60Hz	2250 Ω
A283XAXC-240A	W388ACPX-5	SPDT	220/240 VAC, 50/60Hz	9100 Ω
A283XBXC-24A	W388ACPX-8	DPDT	24 VAC, 50/60Hz	75 Ω
A283XBXC-120A	W388ACPX-9	DPDT	120 VAC, 50/60Hz	2250 Ω
A283XBXC-240A	W388ACPX-10	DPDT	220/240 VAC, 50/60Hz	9100 Ω
A283XCXC-24A	W388ACPX-13	3PDT	24 VAC, 50/60Hz	72 Ω
A283XCXC-120A	W388ACPX-14	3PDT	120 VAC, 50/60Hz	1700 Ω
A283XCXC-240A	W388ACPX-15	3PDT	220/240 VAC, 50/60Hz	7200 Ω
DC OPERATED SOLDER/PLUG-IN, 15 AMP				
A283XAXC-12D	W388CPX-2	SPDT	12 VDC	120 Ω
A283XAXC-24D	W388CPX-3	SPDT	24 VDC	472 Ω
A283XBXC-12D	W388CPX-6	DPDT	12 VDC	120 Ω
A283XBXC-24D	W388CPX-7	DPDT	24 VDC	472 Ω
A283XBXC-110D	W388CPX-8	DPDT	110 VDC	10,000 Ω
A283XCXC-12D	W388CPX-10	3PDT	12 VDC	120 Ω
A283XCXC-24D	W388CPX-11	3PDT	24VDC	472 Ω

RETROFITS POTTER & BRUMFIELD KUP.
SEE END OF SECTION 1 FOR CROSS REFERENCE

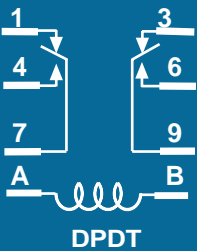
SPDT, DPDT & 3PDT, 15 AMPS

OUTLINE DIMENSIONS
DIMENSIONS SHOWN IN INCHES & (MILLIMETERS).

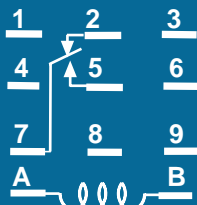


SEE CLASS 388J FOR PART NUMBERS WITH L.E.D. STATUS LAMP AND PUSH BUTTON

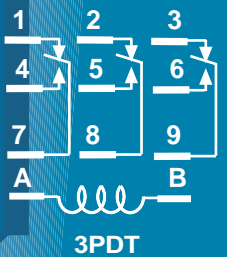
WIRING DIAGRAMS
(VIEWED FROM PIN END)



DPDT



SPDT



3PDT

STANDARD PART NUMBERS		CONTACT CONFIGURATION	COIL MEASURED @ 25°C	
A283	W388		NOMINAL INPUT VOLTAGE	NOMINAL RESISTANCE (OHMS)
AC OPERATED, 15 AMP				
A283XAXC1-120A	W388ACQX-4	SPDT	120 VAC, 50/60Hz	2250 Ω
A283XAXC1-240A	W388ACQX-5	SPDT	220/240 VAC, 50/60Hz	9100 Ω
A283XBXC1-120A	W388ACQX-9	DPDT	120 VAC, 50/60Hz	2250 Ω
A283XBXC1-240A	W388ACQX-10	DPDT	220/240 VAC, 50/60Hz	9100 Ω
A283XCXC1-120A	W388ACQX-14	3PDT	120 VAC, 50/60Hz	1700 Ω
A283XCXC1-240A	W388ACQX-15	3PDT	220/240 VAC, 50/60Hz	7200 Ω
DC OPERATED, 15 AMP				
A283XAXC1-12D	W388CQX-2	SPDT	12 VDC	120 Ω
A283XAXC1-24D	W388CQX-3	SPDT	24 VDC	472 Ω
A283XBXC1-12D	W388CQX-6	DPDT	12 VDC	120 Ω
A283XBXC1-24D	W388CQX-7	DPDT	24 VDC	472 Ω
A283XBXC1-24D	W388CQX-11	3PDT	24 VDC	472 Ω

RETROFITS POTTER & BRUMFIELD KUP.
SEE END OF SECTION 1 FOR CROSS REFERENCE