

**ebm-papst Mulfingen GmbH & Co. KG**

Bachmühle 2 · D-74673 Mulfingen

Phone +49 7938 81-0

Fax +49 7938 81-110

info1@de.ebmpapst.com

www.ebmpapst.com

Limited partnership · Headquarters Mulfingen

County court Stuttgart · HRA 590344

General partner Elektrobau Mulfingen GmbH · Headquarters Mulfingen

County court Stuttgart · HRB 590142

**Nominal data**

<b>Type</b>	<b>W2G110-AN27-13</b>	
<b>Motor</b>	<b>M2G045-BA</b>	
Nominal voltage	VDC	24
Nominal voltage range	VDC	18 .. 30
Type of data definition		fa
State		prelim.
Speed	min <sup>-1</sup>	2800
Power input	W	4.3
Current draw	A	0.18
Min. ambient temperature	°C	-25
Max. ambient temperature	°C	72

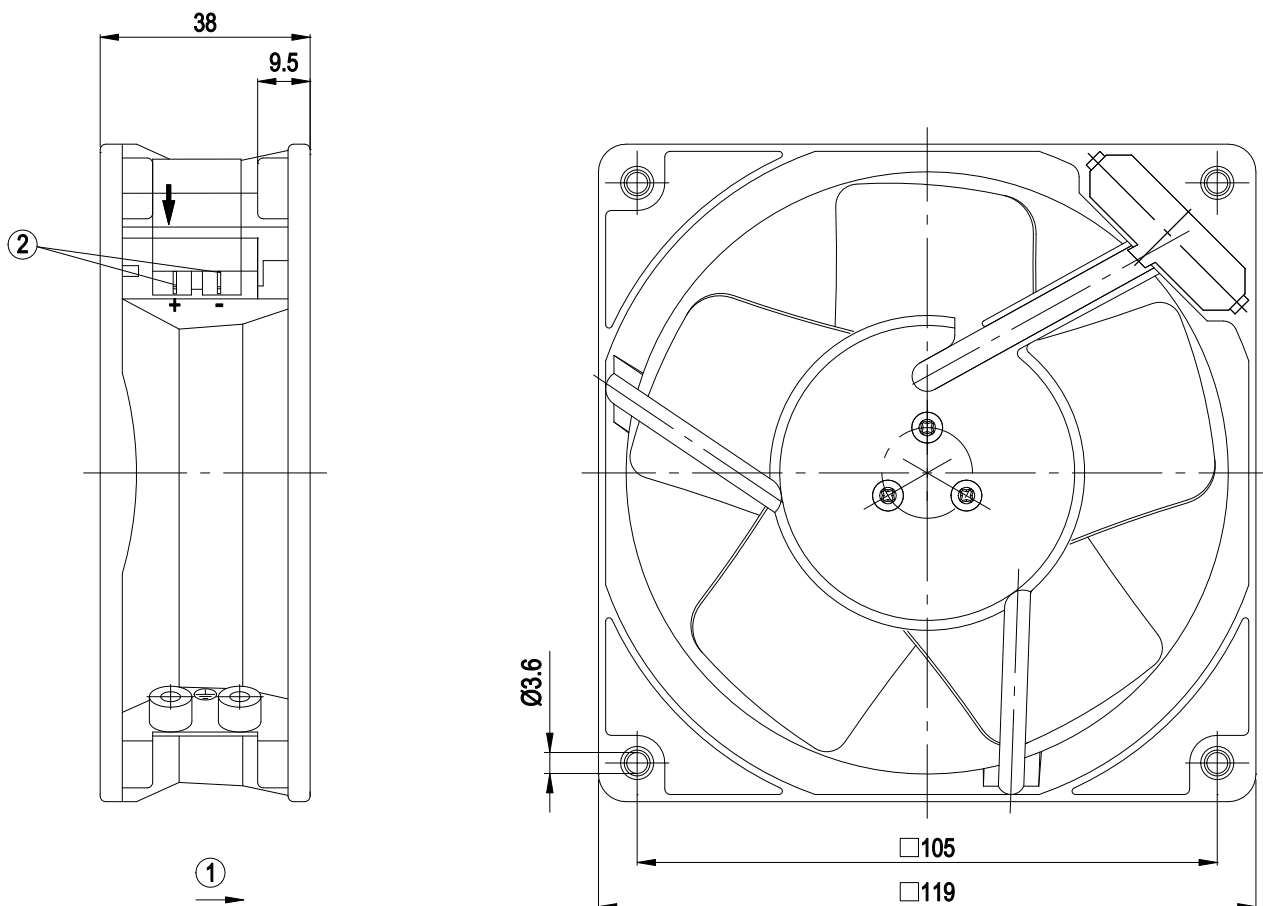
ml = Max. load · me = Max. efficiency · fa = Running at free air · cs = Customer specs · cu = Customer unit  
Subject to alterations



### Technical features

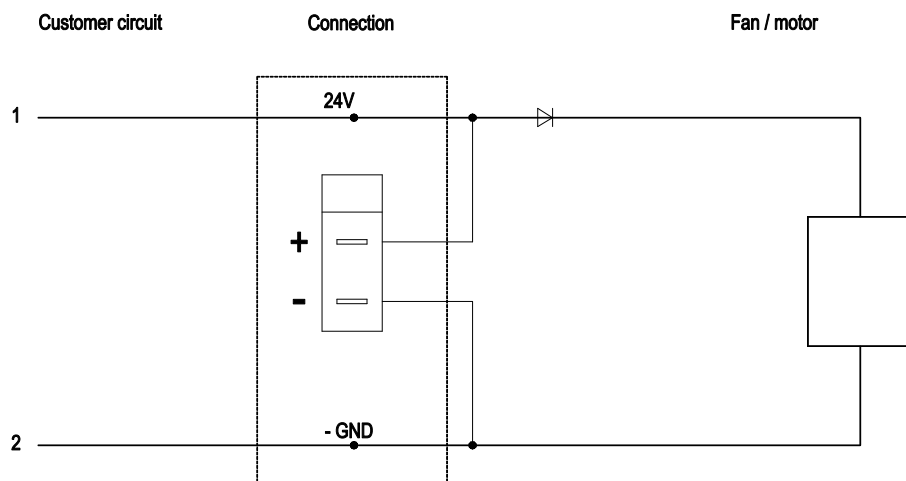
<b>Mass</b>	0.5 kg
<b>Size</b>	110 mm
<b>Surface of rotor</b>	Coated in black
<b>Material of blades</b>	Sheet steel, coated in black
<b>Material of wall ring</b>	Die-cast aluminium, coated in black
<b>Number of blades</b>	5
<b>Direction of air flow</b>	"A"
<b>Direction of rotation</b>	Counter-clockwise, seen on rotor
<b>Type of protection</b>	IP 22
<b>Insulation class</b>	"B"
<b>Max. permissible ambient motor temp. (transp./ storage)</b>	+ 80 °C
<b>Min. permissible ambient motor temp. (transp./storage)</b>	- 25 °C
<b>Mounting position</b>	Any
<b>Condensate discharge holes</b>	None
<b>Operation mode</b>	S1
<b>Motor bearing</b>	Ball bearing
<b>Technical features</b>	- Over-temperature protected electronics / motor
<b>Electrical leads</b>	With plug
<b>Motor protection</b>	Reverse polarity and locked-rotor protection
<b>Product conforming to standard</b>	EN 60950-1
<b>Approval</b>	CSA C22.2 Nr.113; UL 507; VDE

## Product drawing



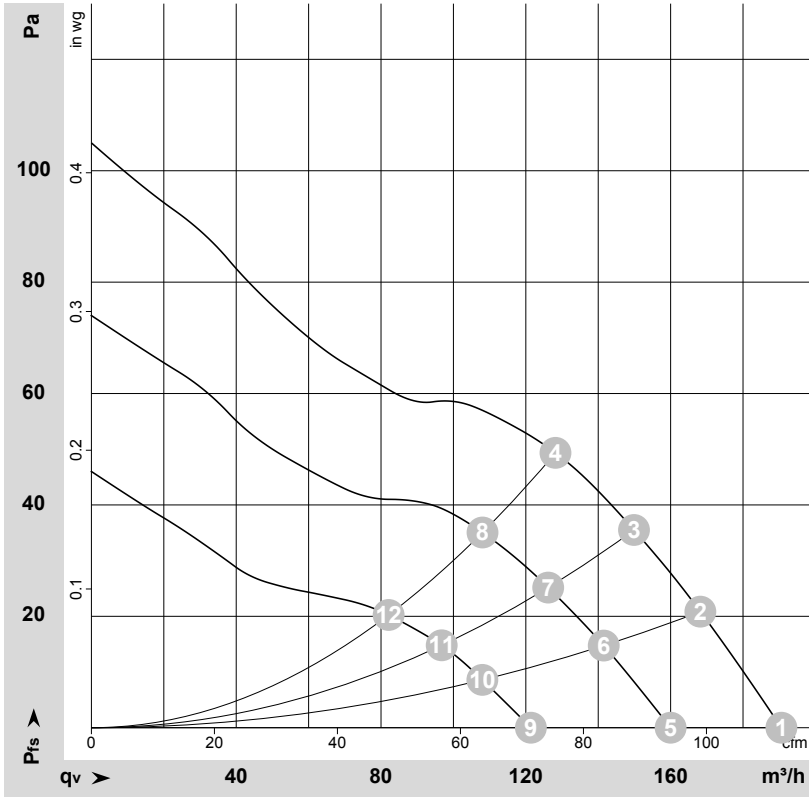
1	Direction of air flow "A"
2	2x flat connectors 2.8x0.5 (AMP no. 170058-2)

## Connection screen



No.	Conn.	Designation	Colour	Function / assignment
1	1	UN +24V	red	Power supply +24 V/voltage range refer to rating plate, residual ripple $\pm 3.5\%$
1	2	GND	blue	Reference mass

## Charts: Air flow



**$\rho = 1,15 \text{ kg/m}^3 \pm 2\%$**

Measurement: LU-9393  
 Measurement: LU-9392  
 Measurement: LU-9394

Air performance measured as per ISO 5801 Installation category A. For detailed information on the measuring set-up, please contact ebm-papst. Suction-side noise levels: LwA measured as per ISO 13347 / LpA measured with 1m distance to fan axis. The values given are valid under the measuring conditions mentioned above and may vary according to the actual installation situation. With any deviation from the standard set-up, the specific values have to be checked and reviewed with the unit installed.

## Measured values

	U	n	P <sub>ed</sub>	I	qv	p <sub>fs</sub>
	V	min <sup>-1</sup>	W	A	m <sup>3</sup> /h	Pa
1	30	3320	7.0	0.22	190	0
2	30	3235	7.0	0.24	170	21
3	30	3180	8.0	0.25	150	36
4	30	3130	8.0	0.25	130	50
5	24	2800	4.3	0.18	160	0
6	24	2705	4.5	0.18	140	15
7	24	2665	4.5	0.19	125	25
8	24	2630	5.0	0.20	110	35
9	18	2125	2.00	0.12	120	0
10	18	2080	2.00	0.12	110	9
11	18	2055	2.00	0.13	95	15
12	18	2030	2.00	0.13	80	20

U = Supply voltage · n = Speed · P<sub>ed</sub> = Power input · I = Current draw · qv = Air flow · p<sub>fs</sub> = Pressure increase

