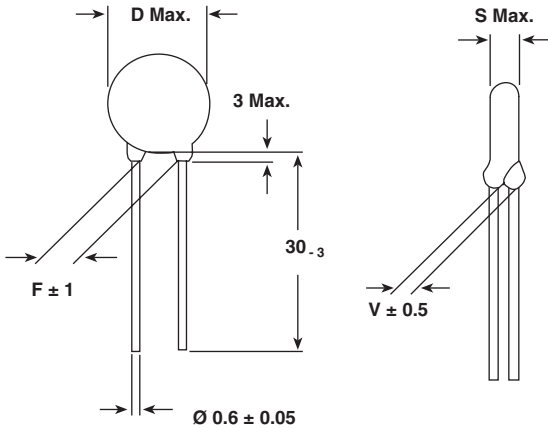


Ceramic Disc Capacitors Class X1, 275 V_{AC}



• Dimensions in mm

DESIGN:

Disc capacitors with epoxy coating

RATED VOLTAGE U_R:

(X1): 275 V_{AC}, 50 Hz (IEC 60384-14.2)

DIELECTRIC STRENGTH BETWEEN LEADS:

Component test:
4000 V_{DC}, 2 s
As repeated test admissible only once with
3500 V_{DC}, 2 s
Random sampling test (destructive test):
3500 V_{DC}, 60 s

DIELECTRIC STRENGTH OF BODY INSULATION:

2000 V_{AC}, 50 Hz, 60 s (destructive test)

DISSIPATION FACTOR tan δ:

≤ 25 • 10⁻³

INSULATION RESISTANCE R_{IS}:

≥ 6 • 10⁹ Ω

CATEGORY TEMPERATURE RANGE θ_A:

(- 40 to + 125) °C

CLIMATIC CATEGORY ACC. TO EN60068-1:

40/125/21

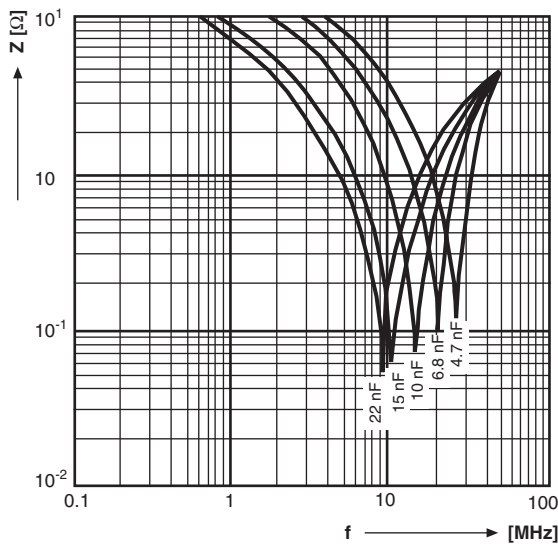
COATING:

Epoxy, dipped, insulating, flame retarding acc. to
UL 94V-0

TAPING AND SPECIAL LEAD CONFIGURATIONS:

On request

MARKING (EXAMPLE):



Impedance (Z) as a function of frequency
(f) at T_a = 20 °C (average)
Measurement with lead length 6 mm

All approved marks are also shown on the label.



Ceramic Disc Capacitors
Class X1, 275 V_{AC}

Vishay Draloric

ORDERING INFORMATION, CERAMIC X1 CAPACITORS W1X						
CAPACITANCE (pF)	TOL. (%)	D x s (mm)	F ± 1* (mm)	d ± 0.05* (mm)	V ± 0.5* (mm)	ORDERING CODE
4700 pF	- 20 + 50 %, ± 20 %	11.0 x 3.0	7.5	0.6	1.4	W1X472□□CV□□□KR
6800 pF		11.0 x 3.0				W1X682□□CV□□□KR
0.010 μF		15.0 x 3.0				W1X103□□CV□□□KR
0.015 μF		17.0 x 3.0				W1X153□□CV□□□KR
0.022 μF		20.0 x 3.0			1.6	W1X223□□CV□□□KR

* Standard lead configuration, other lead spacing and diameter available on request

ORDERING CODE			
□	7th digit	Capacitance Tolerance	± 20 % = M
□□□	10th to 12th digit	Lead Configuration (see General Information)	
R	14th digit	RoHS Compliant Component	

APPROVALS						
IEC 60384 - 14 / 2nd Issue (1993) incl. Am. 1 (1995) - Safety Tests						
EN 132 400 (1994) - Safety Tests						
That approval together with the CB Test Certificate substitutes the national approval of the following nations:						
Belgium	France	Italy	Austria	China	Japan	Spain
Denmark	Greece	Luxembourg	Portugal	Singapore	Poland	United Kingdom
Germany	Ireland	Netherlands	Sweden	Slovenia	Hungaria	Czech Republic
Finland	Iceland	Norway	Switzerland	Korea	Israel	
X1 - Capacitor: CB-Test Certificate: DE-1-11148-A1 4.7 nF ... 0.022 μF 275 Vac						

ORDERING INFORMATION						
W1X	223	M	CV	CRA	K	R
SERIES	CAP. VALUE	TOLERANCE	RATED VOLTAGE	LEAD CONFIGURATION	INTERNAL CODE	RoHS COMPLIANT



Notice

Specifications of the products displayed herein are subject to change without notice. Vishay Intertechnology, Inc., or anyone on its behalf, assumes no responsibility or liability for any errors or inaccuracies.

Information contained herein is intended to provide a product description only. No license, express or implied, by estoppel or otherwise, to any intellectual property rights is granted by this document. Except as provided in Vishay's terms and conditions of sale for such products, Vishay assumes no liability whatsoever, and disclaims any express or implied warranty, relating to sale and/or use of Vishay products including liability or warranties relating to fitness for a particular purpose, merchantability, or infringement of any patent, copyright, or other intellectual property right.

The products shown herein are not designed for use in medical, life-saving, or life-sustaining applications. Customers using or selling these products for use in such applications do so at their own risk and agree to fully indemnify Vishay for any damages resulting from such improper use or sale.