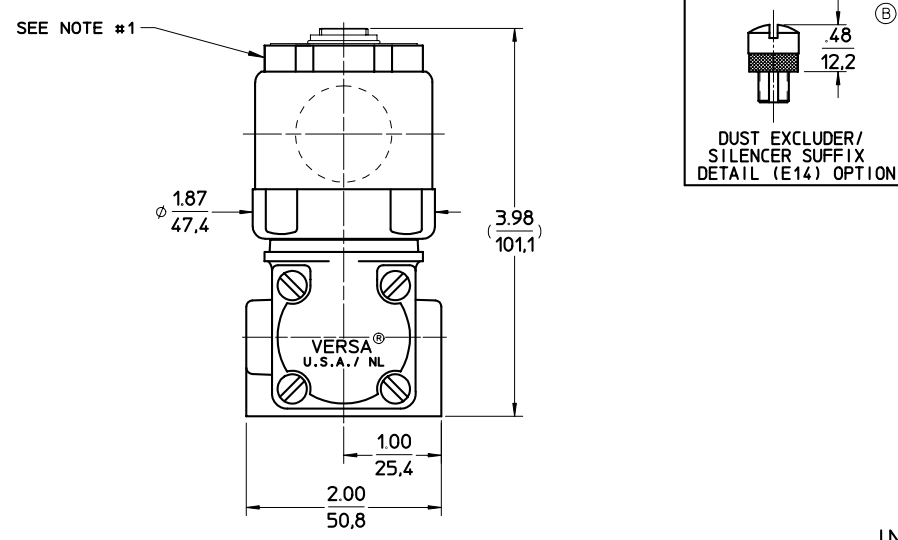
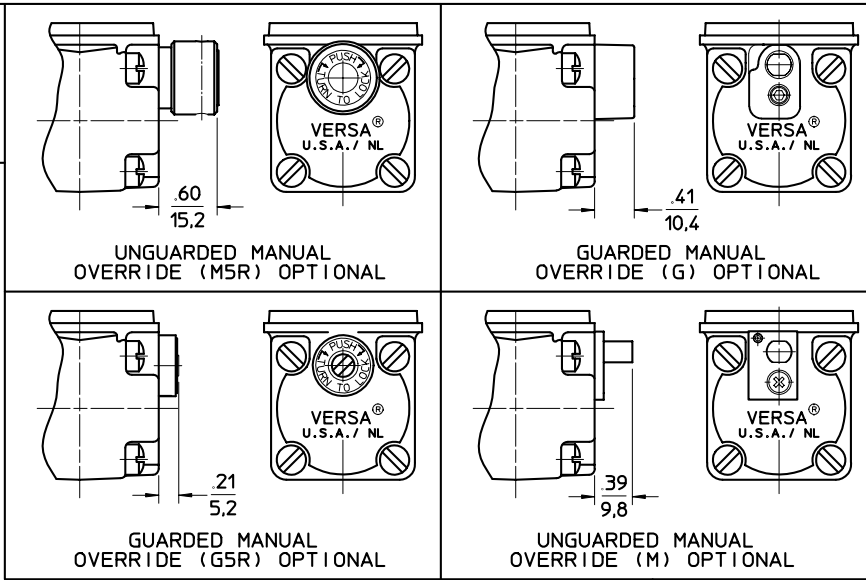
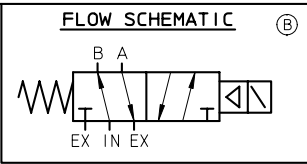
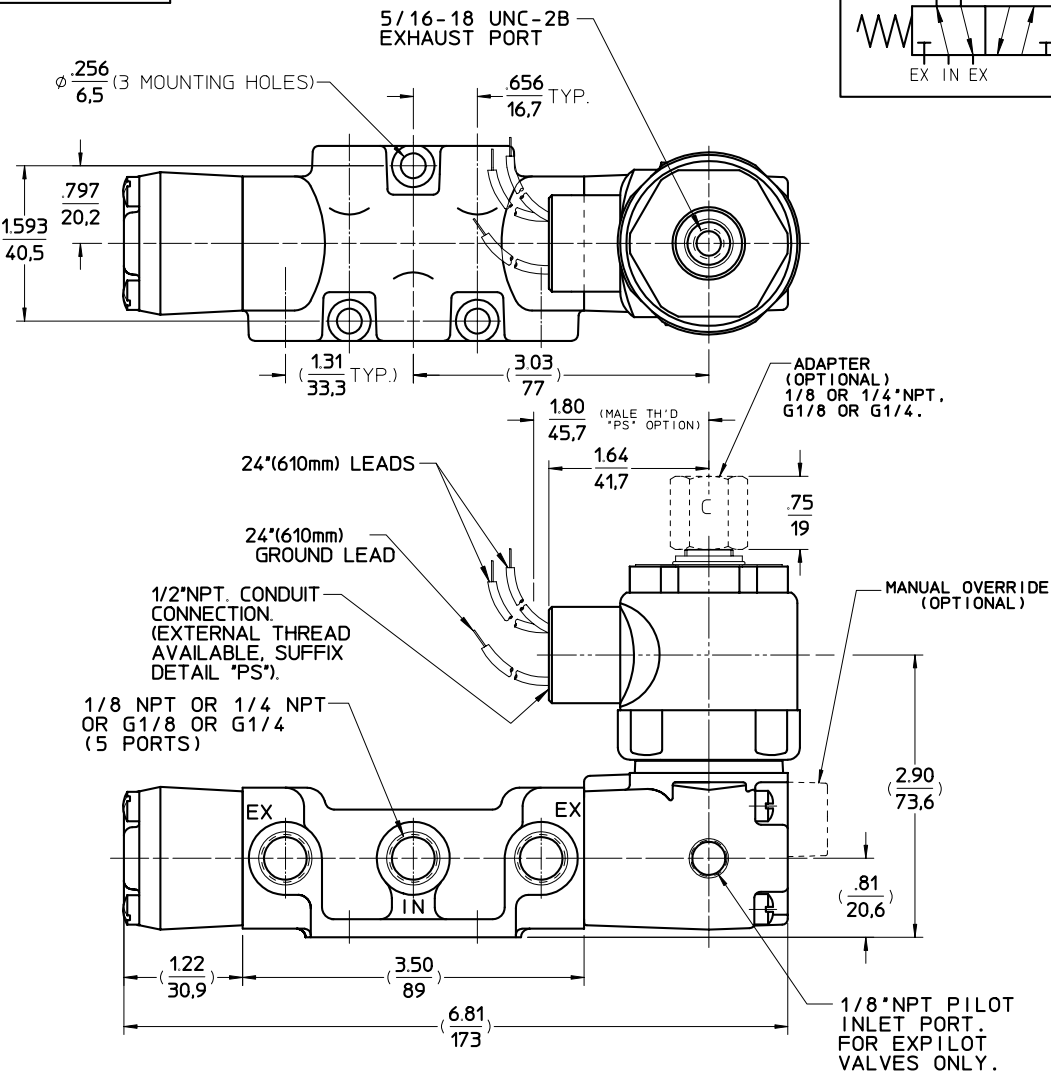


DWG. NO. GV1-0054



NOTES: 1) NUT CAN BE LOOSENED TO REORIENT CONDUIT CONNECTION, BUT MUST BE RETIGHTENED TO A TORQUE SETTING OF 75 INCH LBS. TO CONFORM TO UL REQUIREMENTS.  
 2) PRODUCT SHOWN WITH STANDARD 24\"/>

REVISION LEVEL		DESCRIPTION	DATE
B	E.Y. 07-17-08	ADDED FLOW SCHEMATIC AND E14 OPTION	14645
	A.P. 07-22-08		B.N. 07-24-08
LTR	REVD/CKD BY	DESCRIPTION	EWR NO/APPD BY

DRAWN BY NG 9-11-03	CHECKED BY JMC 9-12-03	ENG APP'D BN 9-12-03	ORIG EWR 12317	TITLE VALVE ASSEMBLY, 4-WAY
MATL	SCALE .75:1	NEXT ASSY	DWG SIZE B	
HARDNESS	UNLESS OTHERWISE SPECIFIED			
HEAT TREAT	2 PLACE DECIMAL ± .010 ANGULAR DIMENSIONS ± 1/2° 3 PLACE DECIMAL ± .003 BREAK CORNERS & EDGES .010 DIA'S ON SAME CENTERLINE CONCENTRIC WITHIN .006 T.I.R MACHINED SURFACES, FINISHED TO 64 R.M.S. MAX.			
FINAL FINISH	DO NOT SCALE DRAWING			
THIS DRAWING IS CAD GENERATED AND THE PROPERTY OF VERSA PRODUCTS CO. INC. USE AND/OR REPRODUCTION OF ANY PORTION MUST BE WITH THE APPROVAL OF VERSA				

VERSA PRODUCTS CO. INC.  
 PARAMUS N.J. U.S.A.  
 VERSA BV, NETHERLANDS  
 DWG. NO. GV1-0054