

Panel mounting frames - VS-PPC-F1-RJ45-MNNA-1C-F - 1405222

Please be informed that the data shown in this PDF Document is generated from our Online Catalog. Please find the complete data in the user's documentation. Our General Terms of Use for Downloads are valid (<http://phoenixcontact.com/download>)



RJ45 panel mounting frame, IP67, for push-pull interlocking, metal, with Freenet system, for round mounting cutout, with seal



Key commercial data

Packing unit	1 pc
GTIN	4 046356 334792
Weight per Piece (excluding packing)	53.9 g
Custom tariff number	85389099
Country of origin	Germany
Product key	ABNADE

Technical data

Mechanical characteristics

Locking type	Push Pull
Insertion/withdrawal cycles	>= 100
Color	silver

Ambient conditions

Ambient temperature (operation)	-40 °C ... 70 °C
Degree of protection	IP65/IP67

Material data

Housing material	Zinc die-cast
Housing surface material	Nickel-plated
Material	Metal
Sealing material	NBR

Electrical characteristics

Pollution degree	2
------------------	---

Panel mounting frames - VS-PPC-F1-RJ45-MNNA-1C-F - 1405222

Classifications

eCl@ss

eCl@ss 4.0	272607xx
eCl@ss 4.1	27260701
eCl@ss 5.0	27260701
eCl@ss 5.1	27260701
eCl@ss 6.0	27261207
eCl@ss 7.0	27440210
eCl@ss 8.0	27440210

ETIM

ETIM 3.0	EC002310
ETIM 4.0	EC002310
ETIM 5.0	EC002310

UNSPSC

UNSPSC 6.01	31261501
UNSPSC 7.0901	31261501
UNSPSC 11	31261501
UNSPSC 12.01	31261501
UNSPSC 13.2	31261501

Accessories

Accessories

Female insert

RJ45 socket insert - VS-08-BU/BU-RJ45-F - 1405617

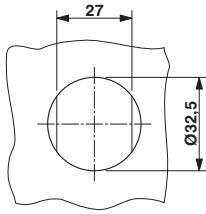


RJ45 socket insert, for Freenet system, for VS-08 and panel mounting frame CAT5e, 8-pos., socket on socket

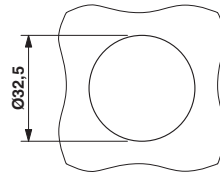
Drawings

Panel mounting frames - VS-PPC-F1-RJ45-MNNA-1C-F - 1405222

Drilling diagram



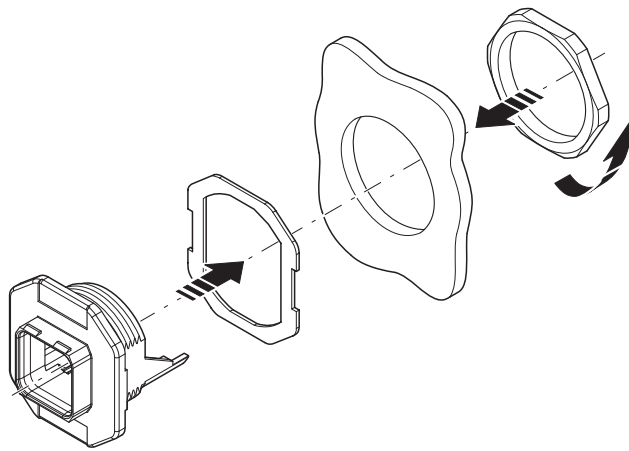
Dimensioned drawing



Panel cutout

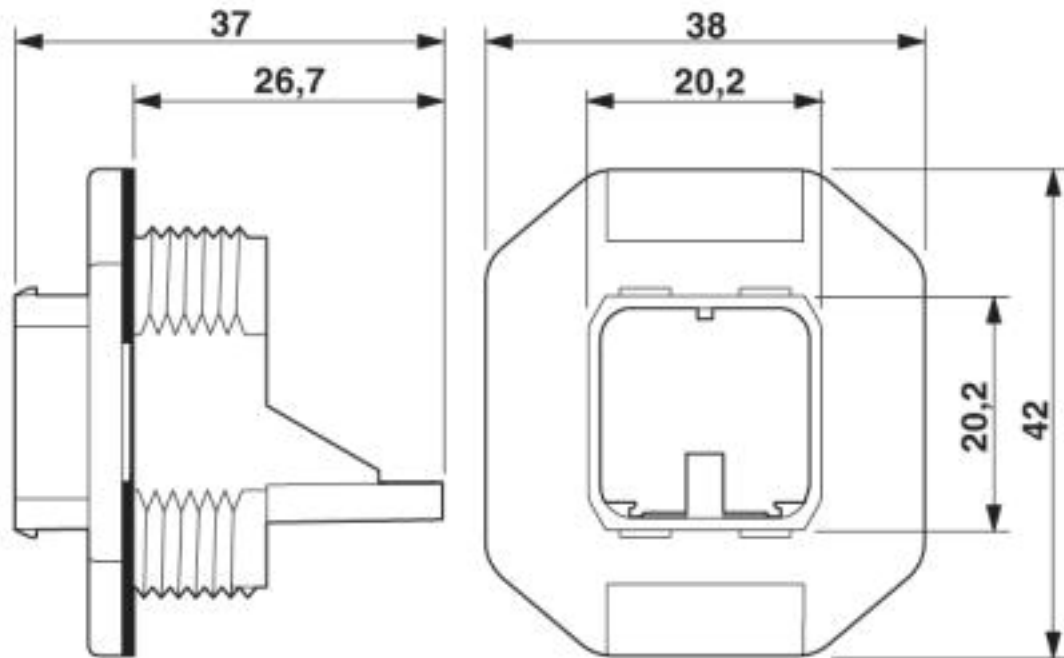
Panel cutout

Explosion drawing



Panel mounting frames - VS-PPC-F1-RJ45-MNNA-1C-F - 1405222

Dimensioned drawing



Push-Pull panel mounting frame, Freenet system, IP67