



Extract from the online catalog

VS-P1207-P1207-C934/ 5,0

Order No.: 1608595



<http://eshop.phoenixcontact.de/phoenix/treeViewClick.do?UID=1608595>

Assembled PROFINET cable, type C, CAT5e, shielded, star quad, AWG 22 highly stranded (7-wire), RAL 6018 (yellow-green), RJ45/IP67 push-pull metal housing on RJ45/IP67 push-pull metal housing, length: 5 m



Commercial data	
EAN	4046356161183
Note	Made-to-order
sales group	D514
Pack	1 pcs.
Customs tariff	85444210
Weight/Piece	0.22222 KG
Catalog page information	Page 209 (PC-2007)

Product notes

WEEE/RoHS-compliant since:
01/01/2008



<http://www.download.phoenixcontact.com>
Please note that the data given here has been taken from the online catalog. For comprehensive information and data, please refer to the user documentation. The General Terms and Conditions of Use apply to Internet downloads.

Technical data

Mechanical characteristics	
Number of positions	4
Shielded	Yes
Insertion/withdrawal cycles	≥ 500

VS-P1207-P1207-C934/ 5,0 Order No.: 1608595
<http://eshop.phoenixcontact.de/phoenix/treeViewClick.do?UID=1608595>

Cable diameter	6.70 mm
Cable structure	1x4xAWG22/7; SF-UTP
Duty cycle testing	Flexible cable conduit capable
Smallest bending radius, fixed installation	54 mm
Smallest bending radius, movable installation	54 mm
Length of cable	5 m
Ambient temperature (operation)	-40 °C ... 70 °C (cable, fixed installation) -5 °C ... 50 °C (cable, flexible installation) (plug/socket)
Material data	
Housing material	Zinc die-cast
Housing surface material	Nickel-plated
Contact carrier material	PC
Contact material	CuSn6
Contact surface material	1.2 µm gold over 1.2 µm nickel
Material, O-ring	NBR
Cable seal material	TPE
Material, housing intermediate seal	NBR
Outer sheath, material	PUR
External sheath, color	green-yellow RAL 6018
Degree of protection	IP65/67
Electrical characteristics	
Rated voltage (III/3)	50 V
Transmission characteristics (category)	CAT5 (IEC 11801:2002), CAT5e (TIA 568B:2001)
Line characteristics	
Cable type	PROFINET
Cable structure	1x4xAWG22/19; SF/Q
Conductor cross section	0.34 mm ²
AWG signal line	22
Conductor structure signal line	7x 0.25 mm
Core diameter including insulation	Approx. 1.5 mm
Thickness, insulation	Approx. 0.9 mm (Outer cable sheath)
External cable diameter	6.50 mm
Wire colors	White, yellow, blue, orange

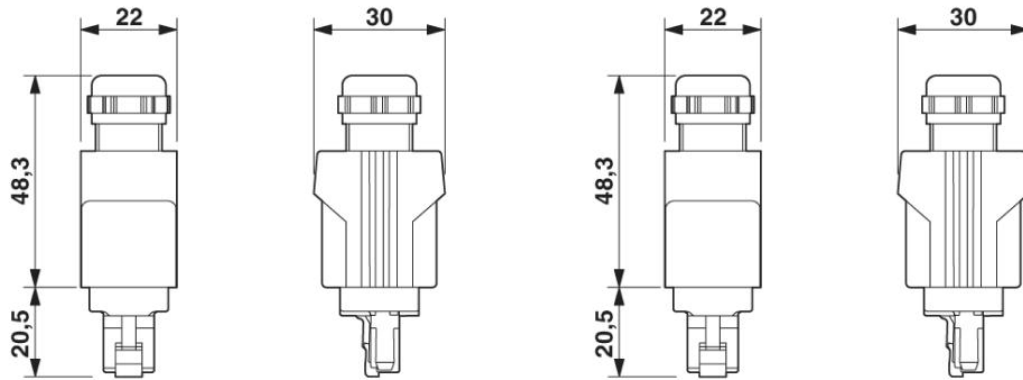
VS-P1207-P1207-C934/ 5,0 Order No.: 1608595
<http://eshop.phoenixcontact.de/phoenix/treeViewClick.do?UID=1608595>

External sheath, color	Green RAL 6018
Insulation resistance	min. 0.5 GΩ*km
Conductor resistance	≤ 120 Ω/km
Transmission characteristics (category)	CAT5 (IEC 11801:2002), CAT5e (TIA 568B:2001)
Working capacitance	52 pF
Wave impedance	100 Ω ± 15 Ω (At 1- 100 MHz)
Signal runtime	5.3 ns/m
Coupling resistance	max. 20.00 mΩ/m
Test voltage Core/Core	2000 V
Test voltage Core/Shield	2000 V
Type of pair shielding	Aluminum-lined polyester foil
Overall twist	Star quad
Shielding	Braided shielding made of tin-plated copper wires
Outer sheath, material	PUR
Material conductor insulation	PE
Conductor material	Tin-plated Cu litz wires
Cable weight	61 kg/km
Smallest bending radius, fixed installation	33 mm
Smallest bending radius, movable installation	50 mm
Max. bending cycles	3000000
Bending radius	200 mm
Traversing rate	4 m/s
Acceleration	4 m/s ²
Flame resistance	IEC 60332-1-2
Freedom from halogen	The cable is halogen-free
Resistance to oil	complying with DIN EN 60811-2-1
Other resistance	UV resistant

VS-P1207-P1207-C934/ 5,0 Order No.: 1608595
<http://eshop.phoenixcontact.de/phoenix/treeViewClick.do?UID=1608595>

Diagrams/Drawings

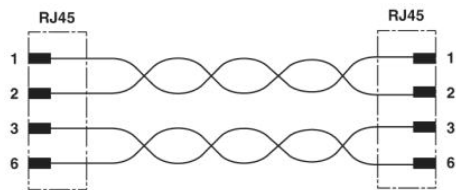
Dimensioned drawing



RJ45 Push-Pull connector, IP67

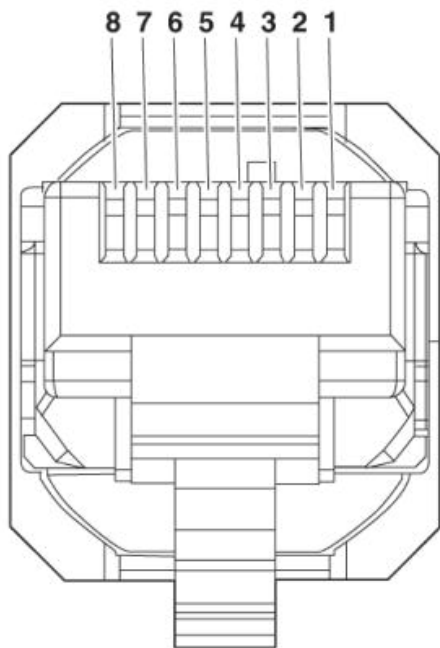
RJ45 Push-Pull connector, IP67

Circuit diagram

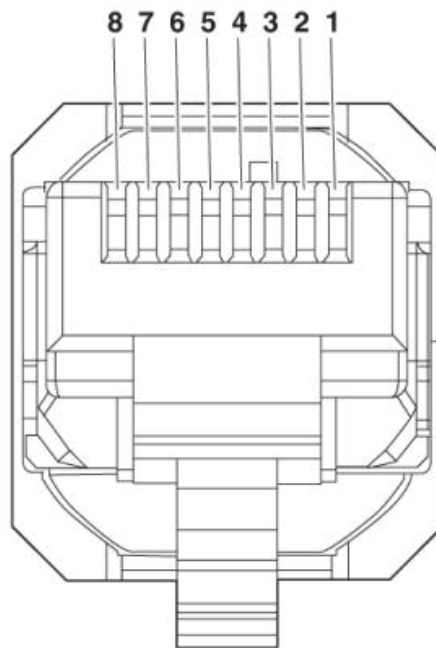


VS-P1207-P1207-C934/ 5,0 Order No.: 1608595
<http://eshop.phoenixcontact.de/phoenix/treeViewClick.do?UID=1608595>

Schematic diagram



Connector pin assignment plug RJ45



Connector pin assignment plug RJ45

onlinecomponents.com

VS-P1207-P1207-C934/ 5,0 Order No.: 1608595
<http://eshop.phoenixcontact.de/phoenix/treeViewClick.do?UID=1608595>

Address

PHOENIX CONTACT Deutschland GmbH
Flachmarktstr. 8
32825 Blomberg, Germany
Phone +49 5235 3 12000
Fax +49 5235 3 41200
<http://www.phoenixcontact.de>



© 2010 Phoenix Contact
Technical modifications reserved;

onlinecomponents.com