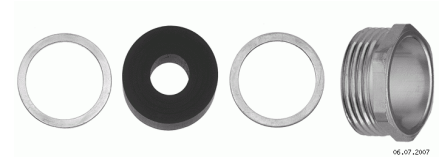


heavy|mate - C146 Accessories Metal, with variable inner diameter, Gland bushings IP 65 (Attention: not usable for hoods without stud)

Part No. VN16 135 0014 X



Series Heavy duty connectors heavy|mate - C 146

Subseries Heavy duty connector heavy|mate - C146 Accessories

COMMON CHARACTERISTICS

Thread		PG 13.5
Packaging / supplied as		10 pcs. per unit

ELECTRICAL CHARACTERISTICS

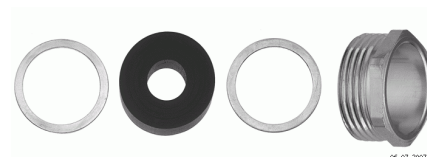
Contact resistance	DIN EN 60512-2-1, Test 2a / IEC 60512-2-1, Test 2a	0 m
--------------------	--	-----

heavy|mate - C146 Accessories Metal, with variable inner diameter, Gland bushings IP 65 (Attention: not usable for hoods without stud)

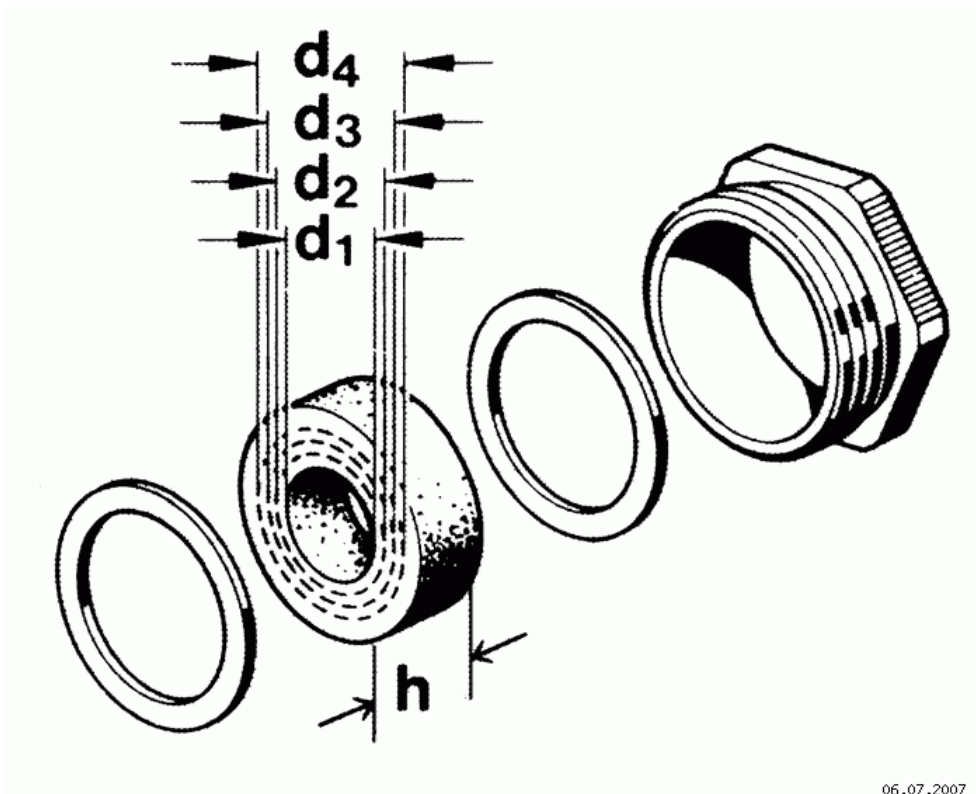
Part No. VN16 135 0014 X

Series Heavy duty connectors heavy|mate - C 146

Subseries Heavy duty connector heavy|mate - C146 Accessories



06.07.2007



Ma zeichnung Dimensions in mm (Inch)

06.07.2007