

**SERIES:** VHB150R | **DESCRIPTION:** DC-DC CONVERTER

**FEATURES**

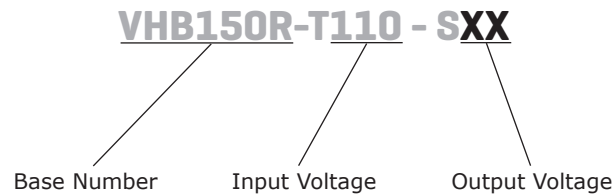
- up to 150 W isolated output
- industry standard half brick package
- 3:1 input range (66~160 Vdc)
- single output from 5~24 Vdc
- 2,250 Vdc isolation
- over current, over temperature, over voltage, and short circuit protections
- remote on/off
- efficiency up to 92.5%



MODEL	input voltage range	output voltage	output current	output power	ripple and noise <sup>1</sup>	efficiency
	(Vdc)	(Vdc)	max (A)	max (W)	max (mVp-p)	typ (%)
VHB150R-T110-S5	66 ~ 160	5	30	150	100	92.5
VHB150R-T110-S12	66 ~ 160	12	12.5	150	150	92.5
VHB150R-T110-S24	66 ~ 160	24	6.5	156	240	92

Notes: 1. ripple and noise are measured at 20 MHz BW with 10µF tantalum capacitor and 1µF ceramic capacitor across output  
 2. an external input capacitor of 120 µF is recommended to reduce the input ripple voltage.

**PART NUMBER KEY**



## INPUT

parameter	conditions/description	min	typ	max	units
operating input voltage		66	110	160	Vdc
input surge voltage	100 ms max.			180	Vdc
under voltage lockout	power up		62		Vdc
	power down		56		Vdc
start-up time			45		ms
filter	PI type				
on/off <sup>1</sup>	models ON (open circuit or 3.5~75 Vdc)				
	models OFF (0~1.8 Vdc)				

Notes: 1. logic compatibility, open collector reference to -input.

## OUTPUT

parameter	conditions/description	min	typ	max	units
output capacitance	5 Vdc output model			10,000	μF
	12 Vdc output model			5,600	μF
	24 Vdc output model			2,200	μF
line regulation	measured from high line to low line			±0.2	%
load regulation	measured from full load to zero load			±0.2	%
voltage accuracy				±1.5	%
adjustability	see application notes		±10		%
switching frequency	100% load, input voltage range		200		kHz
transient response	25% step load change	error band recover time		±5 200	% Vout μs
temperature coefficient			±0.03		%/°C

## PROTECTIONS

parameter	conditions/description	min	typ	max	units
over voltage protection	%Vo	115		140	%
over current protection	% nominal output current	110		180	%
short circuit protection	continuous				
over temperature protection			105		°C

## SAFETY AND COMPLIANCE

parameter	conditions/description	min	typ	max	units
isolation voltage	input to output	2,250			Vdc
	input to case	2,250			Vdc
	output to case	1,500			Vdc
isolation resistance		10			MΩ
isolation capacitance			1,000		pF
safety approvals	UL 60950-1				
EMC	EN50155 (EN50121-3-2) (external circuit required, see Figure 1)				
EMI	EN55011 Class A				
ESD	EN61000-4-2 Air ±8 kV Class B				
	EN61000-4-2 Contact ±6 kV Class A				
radiated immunity	EN61000-4-3 10 V/m Class A				
EFT/burst	EN61000-4-4 ±2 kV Class A				
surge	EN61000-4-5 ±1 kV Class B				
conducted immunity	EN61000-4-6 10 Vr.m.s Class A				
RoHS compliant	2011/65/EU				

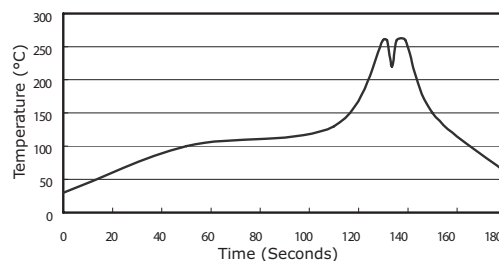
## ENVIRONMENTAL

parameter	conditions/description	min	typ	max	units
operating case temperature		-40		100	°C
storage temperature		-55		105	°C
humidity	non-condensing			95	%
stock/vibration	EN50155(EN61373)				
enviromental	EN50155(EN60068-2-1, EN60068-2-2, EN60068-2-30)				

## SOLDERABILITY

parameter	conditions/description	min	typ	max	units
wave soldering	see wave soldering profile			260	°C

- Notes:
1. Soldering materials: Sn/Cu/Ni
  2. Ramp up rate during preheat: 1.4°C/s (from 50°C to 100°C)
  3. Soaking temperature: 0.5°C/s (from 100°C to 130°C), 60±20 seconds
  4. Peak temperature: 260°C, above 250°C for 3~6 seconds
  5. Ramp down rate during cooling: -10°C/s (from 260°C to 150°C)



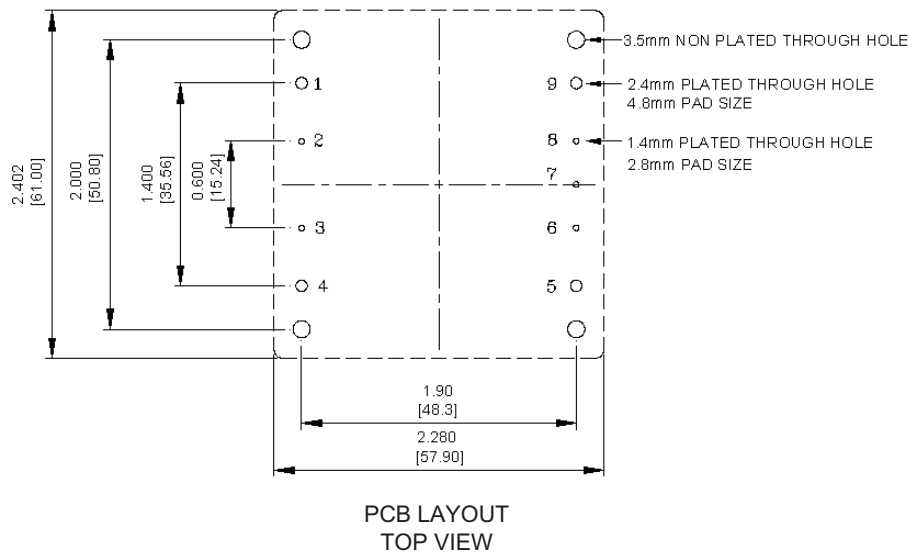
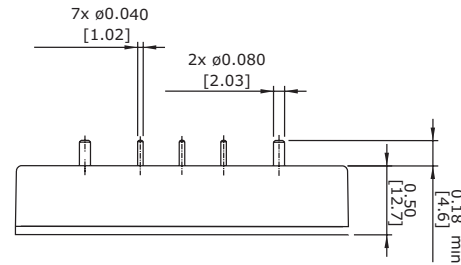
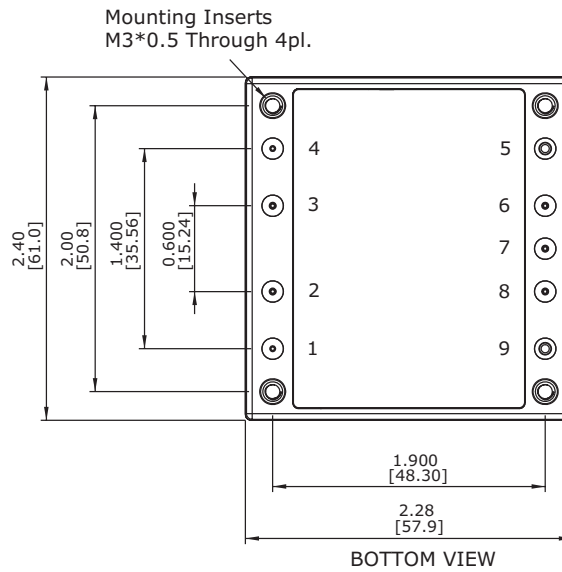
## MECHANICAL

parameter	conditions/description	min	typ	max	units
dimensions	2.28 x 2.40 x 0.5 (57.9 x 61.0 x 12.7 mm)				inch
case material	aluminum baseplate with plastic case				
weight			90		g

## MECHANICAL DRAWING

units: inches [mm]  
 tolerance: x.xx ± 0.02" [±0.5mm]  
 x.xxx ± 0.010" [±0.25mm]

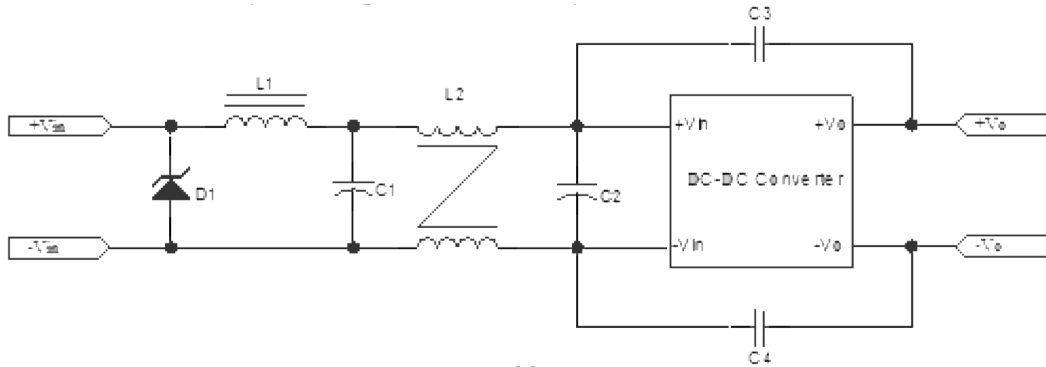
PIN CONNECTIONS	
PIN	FUNCTION
1	+Vin
2	On/Off
3	CASE
4	-Vin
5	-Vo
6	-S
7	TRIM
8	+S
9	+Vo



## EMC RECOMMENDED CIRCUITS

### EN50155 [EN50121-3-2] (EN55011 Class A)

**Figure 1**  
Recommended Circuit for EN50155 (EN50121-3-2) (EN55011 Class A)



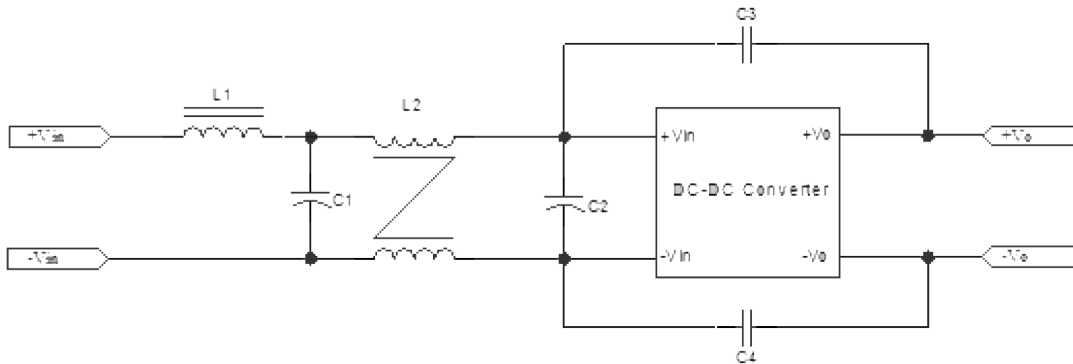
**Table 1**

Recommended External Circuit Components							
Model	D1	C1	C2	C3	C4	L1	L2
VHB150R-T110-S5	1.5KE180A Littelfuse	220uF/200V YXF	220uF/200V YXF	2200 pF	2200 pF	5 $\mu$ H	0.33 mH
VHB150R-T110-S12	1.5KE180A Littelfuse	220uF/200V YXF	220uF/200V YXF	2200 pF	2200 pF	5 $\mu$ H	0.33 mH
VHB150R-T110-S24	1.5KE180A Littelfuse	220uF/200V YXF	220uF/200V YXF	2200 pF	2200 pF	5 $\mu$ H	0.33 mH

Note: C1, C2 Aluminum Capacitors and C3, C4 Ceramic Capacitors

### EN55022 Class B

**Figure 2**  
Recommended Circuit for EN55022 Class B



**Table 2**

Recommended External Circuit Components						
Model	C1	C2	C3	C4	L1	L2
VHB150R-T110-S5	220 $\mu$ F/200 V YXF	220 $\mu$ F/200 V YXF	2200 pF	2200 pF	5 $\mu$ H	0.33 mH
VHB150R-T110-S12	220 $\mu$ F/200 V YXF	220 $\mu$ F/200 V YXF	2200 pF	2200 pF	5 $\mu$ H	0.33 mH
VHB150R-T110-S24	220 $\mu$ F/200 V YXF	220 $\mu$ F/200 V YXF	2200 pF	2200 pF	5 $\mu$ H	0.33 mH

Note: C1, C2 Aluminum Capacitors and C3, C4 Ceramic Capacitors

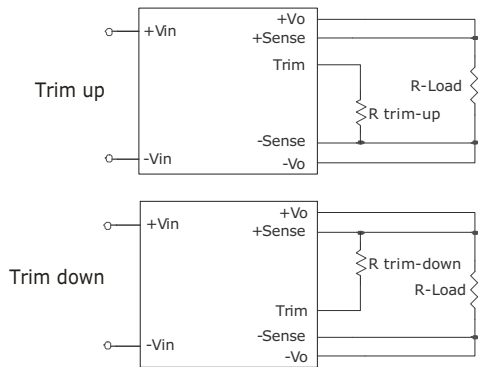
## APPLICATION NOTES

### 1. Output Voltage Trimming

Leave open if not used.

**Figure 3**

Application Circuit for Trim pin



### Formula for Trim Resistor

$$R_{trim - up} = \left( \frac{R_1(V_r - V_f(\frac{R_2}{R_2 + R_3}))}{V_o - V_{o, nom}} \right) - \frac{R_2 R_3}{R_2 + R_3} \text{ (k}\Omega\text{)}$$

$$R_{trim - down} = \frac{R_1(V_o - V_r)}{V_{o, nom} - V_o} - R_2 \text{ (k}\Omega\text{)}$$

Note:  $R_{trim-up}$  is the external resistor in  $k\Omega$   
 $R_{trim-down}$  is the external resistor in  $k\Omega$   
 $V_{o, nom}$  is the nominal output voltage  
 $V_o$  is the desired output voltage  
 $R_1, R_2, R_3,$  and  $V_r$  are internal (see Table 3).

**Table 3**

Vout (Vdc)	R1 (kΩ)	R2 (kΩ)	R3 (kΩ)	Vr (V)	Vf (V)
5	2.32	3.3	0	2.5	0
12	9.1	51	5.1	2.5	0.46
24	20	100	7.5	2.5	0.46

## REVISION HISTORY

rev.	description	date
1.0	initial release	06/20/2012
1.01	misc. updates, added product photo	11/13/2012
1.02	updated input voltage range	01/29/2013
1.03	updated spec	03/14/2013
1.04	updated features section	05/30/2013
1.05	added EMC recommendations	06/18/2015

The revision history provided is for informational purposes only and is believed to be accurate.



**Headquarters**  
20050 SW 112th Ave.  
Tualatin, OR 97062  
**800.275.4899**

Fax 503.612.2383  
**cui.com**  
techsupport@cui.com

CUI offers a two (2) year limited warranty. Complete warranty information is listed on our website.

CUI reserves the right to make changes to the product at any time without notice. Information provided by CUI is believed to be accurate and reliable. However, no responsibility is assumed by CUI for its use, nor for any infringements of patents or other rights of third parties which may result from its use.

CUI products are not authorized or warranted for use as critical components in equipment that requires an extremely high level of reliability. A critical component is any component of a life support device or system whose failure to perform can be reasonably expected to cause the failure of the life support device or system, or to affect its safety or effectiveness.