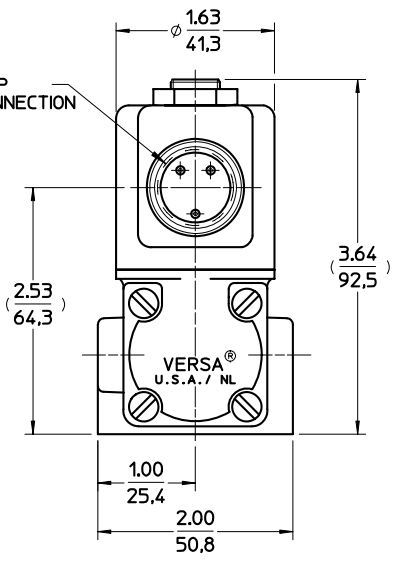
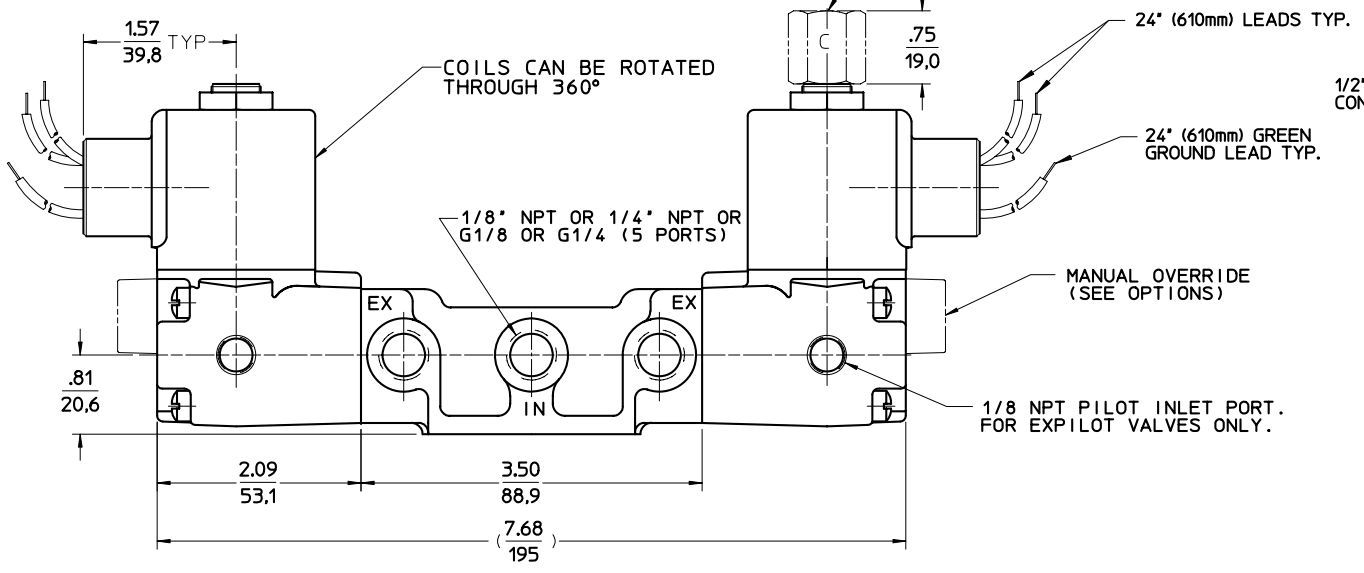
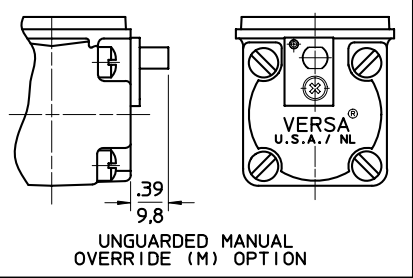
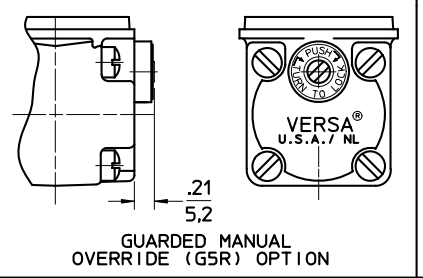
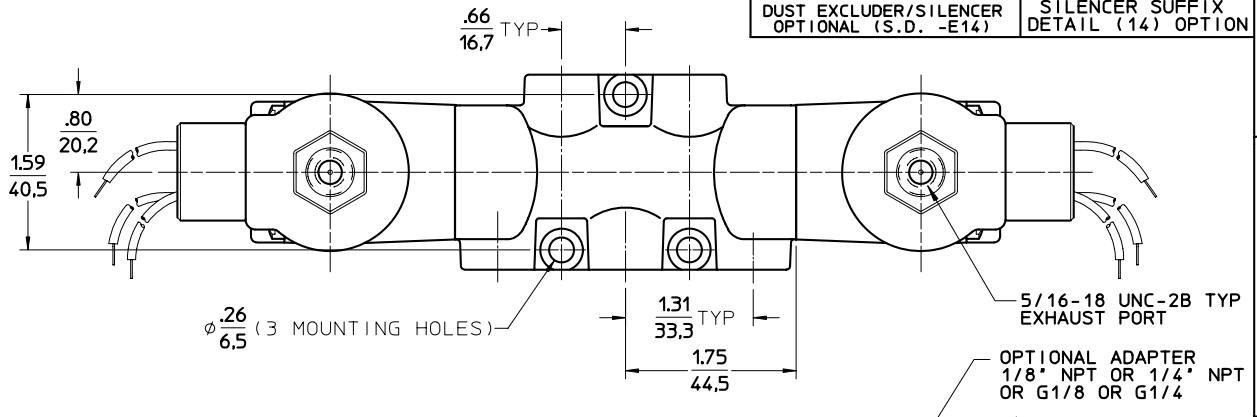
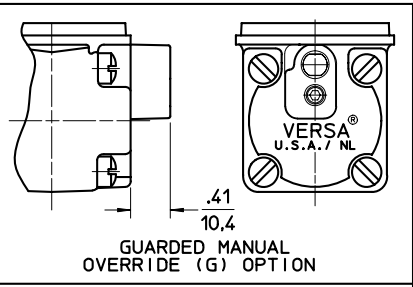
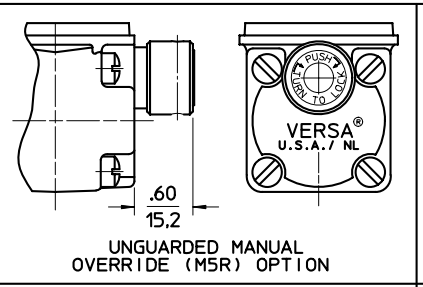
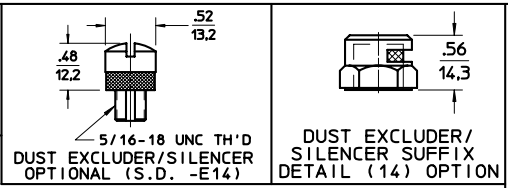
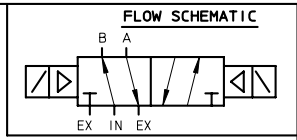


DWG. NO.
GV1-0089



NOTE:
PRODUCT SHOWN WITH STANDARD 24" WIRE LEADS. ADDITIONAL WIRE LEAD LENGTHS AVAILABLE BY SPECIFYING APPROPRIATE SUFFIX DETAIL.

B	NG 11-14-07	UPDATED DRAWING.	14229
	JT 11-16-07		BN 11-16-07
LTR	REVD/CKD BY	DESCRIPTION	EWR NO/APPD BY

DRAWN BY NG 7-8-05	CHECKED BY WJ 7-14-05	ENG APP'D BN 7-15-05	ORIG EWR 12945	TITLE VALVE ASSEMBLY
MATL	SCALE .75:1	NEXT ASSY	DWG SIZE B	
HARDNESS	UNLESS OTHERWISE SPECIFIED 2 PLACE DECIMAL ±.010 ANGULAR DIMENSIONS ±1/2° 3 PLACE DECIMAL ±.005 BREAK CORNERS & EDGES .010 DIA'S ON SAME CENTERLINE CONCENTRIC WITHIN .006 T.I.R. MACHINED SURFACES, FINISHED TO 64 R.M.S. MAX.			
HEAT TREAT	DO NOT SCALE DRAWING			
FINAL FINISH	THIS DRAWING IS CAD GENERATED AND THE PROPERTY OF VERSA PRODUCTS CO. INC. USE AND/OR REPRODUCTION OF ANY PORTION MUST BE WITH THE APPROVAL OF VERSA			



DWG. NO.
GV1-0089