

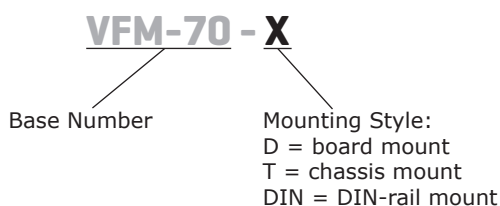
**SERIES: VFM-70 | DESCRIPTION: DC POWER LINE FILTER**
**FEATURES**

- high efficiency 98%
- meet IEC/EN61000-4 standard
- soft start function
- CISPR22/EN55022 compliant
- DIP, Chassis and DIN Rail mounting version
- input voltage protection


**SPECIFICATIONS**

parameter	conditions/description	min	typ	max	units
input voltage		36	48	75	Vdc
output power				75	W
no load input current	at 48 Vdc			5	mA
efficiency	at 48 Vdc, full load		97		%
isolation voltage	+Vin to GND, -Vin to GND, at 1 minute and leakage current 5 mA max			500	Vac
conducted emissions	CISPR22/EN55022, 150 kHz ~ 30 MHz class B				
radiated emissions	CISPR22/EN55022, 30 MHz ~ 1 GHz class B				
ESD	IEC/EN61000-4-2, air ±8 kV, contact ± 6kV, class B				
radiated immunity	IEC/EN61000-4-3, 10 V/m, class A				
EFT/burst	IEC/EN61000-4-4, ±4 kV(5 kHz, 100 kHz), class B				
surge	IEC/EN61000-4-5, ±2 kV (1.2µs/50µs 2Ω)/±4 kV (1.2 µs/50 µs 12 Ω), class B				
conducted immunity	IEC/EN61000-4-6, 10 Vr.m.s, class A				
MTBF	as per MIL-HDBK-217F, 40°C		1,000,000		hours
RoHS	yes				
operating temperature		-40		85	°C
storage temperature		-55		125	°C
storage humidity	non-condensing	5		95	%

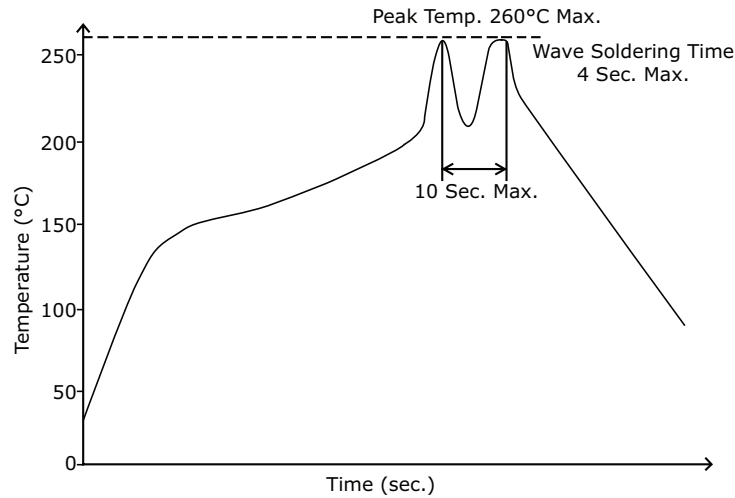
Notes: 1. All specifications are measured at Ta=25°C, humidity < 75%, nominal input voltage, and rated load, unless otherwise specified.

**PART NUMBER KEY**


## SOLDERABILITY<sup>2</sup>

parameter	conditions/description	min	typ	max	units
hand soldering	for 3~5 seconds	350	360	370	°C
wave soldering	see wave soldering profile			260	°C

Note: 2. For board mount models only.



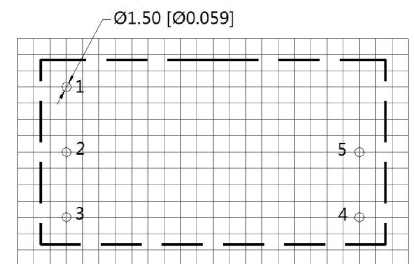
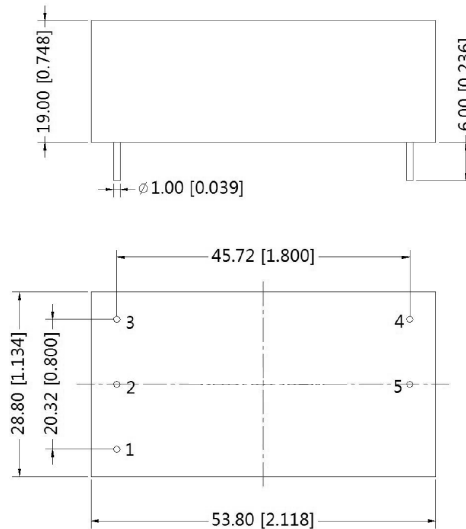
## MECHANICAL

parameter	conditions/description	min	typ	max	units
dimensions	board mount: 53.80 x 28.80 x 19.00 [2.118 x 1.134 x 0.748 inch] chassis mount: 76.00 x 31.50 x 27.80 [2.992 x 1.240 x 1.094 inch] DIN-Rail mount: 76.00 x 31.50 x 32.40 [2.992 x 1.240 x 1.276 inch]				mm
case material	black flame-retardant heat-proof epoxy resin (UL94V-0)				
weight	board mount chassis mount DIN-rail mount		50 70 90		g

## MECHANICAL DRAWING (BOARD MOUNT)

units: mm [inch]  
tolerance: ±0.50[±0.020]  
pin diameter tolerance: ±0.10[±0.004]

PIN CONNECTIONS	
PIN	Function
1	GND
2	-Vin
3	+Vin
4	+Vout
5	-Vout



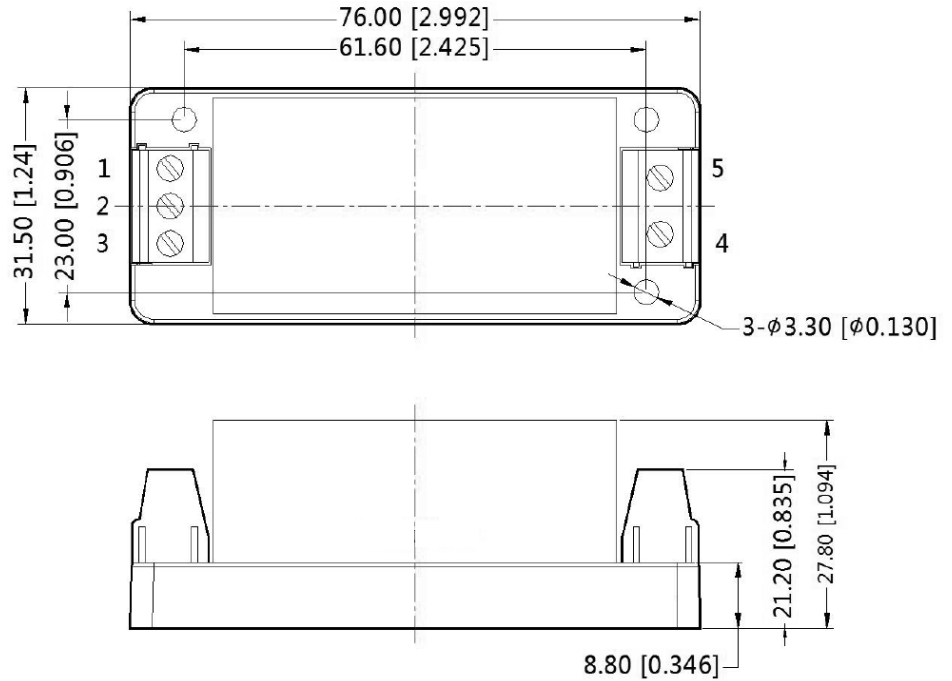
Note : Grid 2.54\*2.54mm  
Recommended PCB Layout  
Top View

## MECHANICAL DRAWING (CHASSIS MOUNT)

units: mm [inch]  
tolerance:  $\pm 0.50$  [ $\pm 0.020$ ]

wire range: 24~12 AWG  
tightening torque: 0.4 N\*m max

PIN CONNECTIONS	
PIN	Function
1	GND
2	-Vin
3	+Vin
4	+Vout
5	-Vout

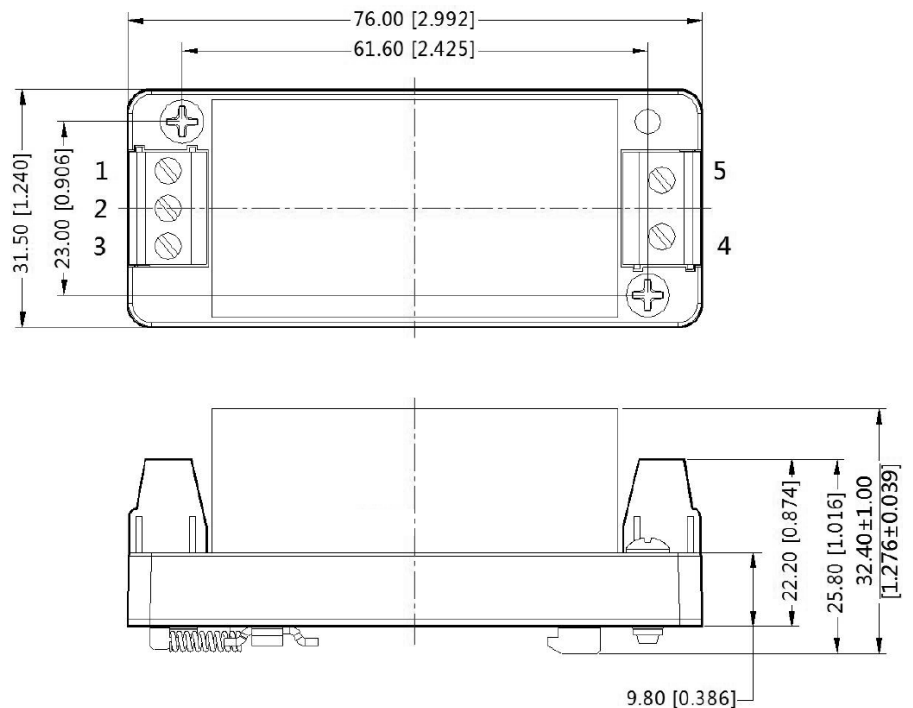


## MECHANICAL DRAWING (DIN-RAIL MOUNT)

units: mm [inch]  
tolerance:  $\pm 0.50$  [ $\pm 0.020$ ]

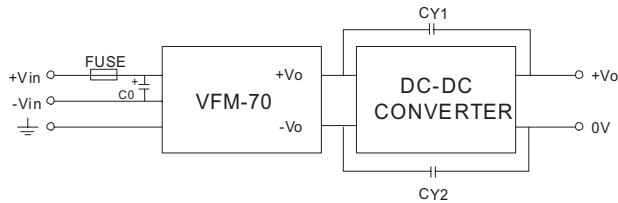
installed on DIN rail TS35  
wire range: 24~12 AWG  
tightening torque: 0.4 N\*m max

PIN CONNECTIONS	
PIN	Function
1	GND
2	-Vin
3	+Vin
4	+Vout
5	-Vout



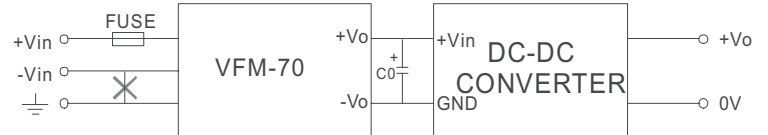
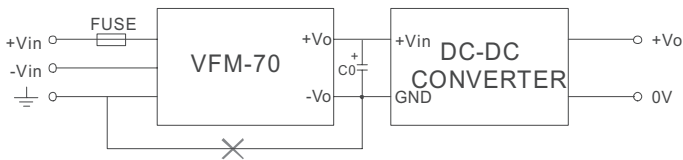
## APPLICATION CIRCUIT

Figure 1  
Application Circuit



Recommended External Circuit Components	
FUSE	choose according to power module datasheet
C0	400 $\mu$ F / 200 V, electrolytic
CY1, CY2	1 nF / 2 kV

Figure 2  
Non-supported Application for Module



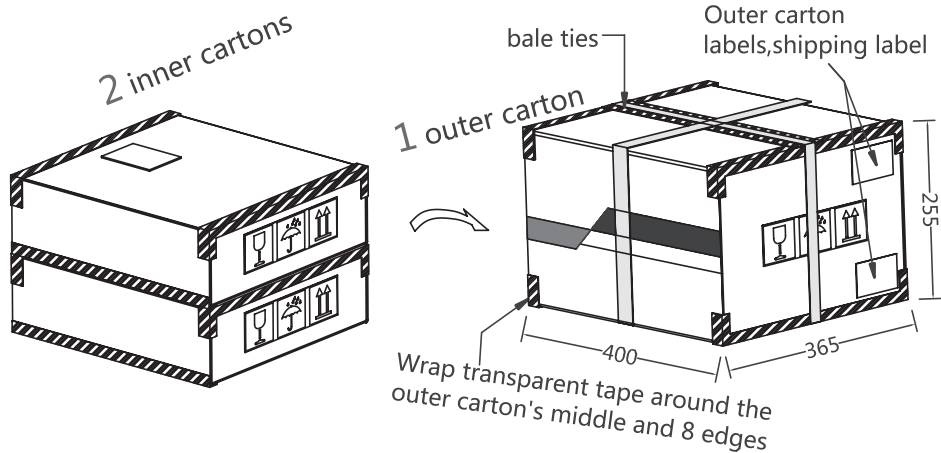
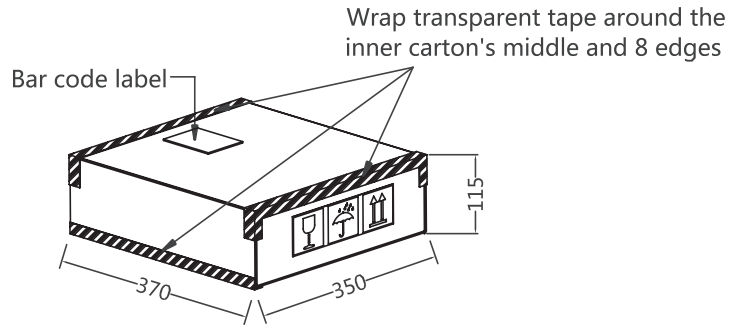
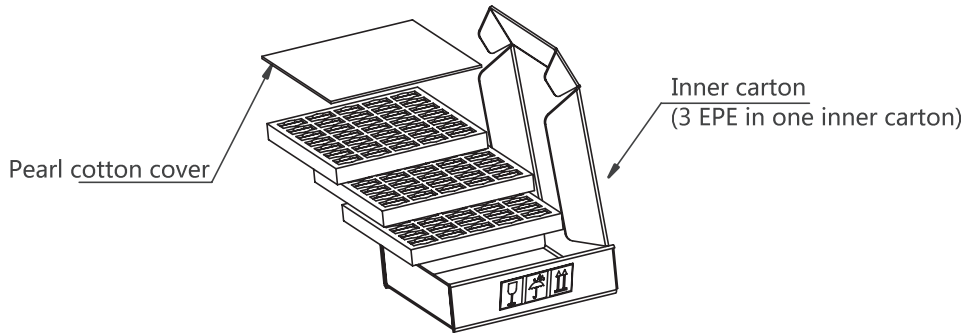
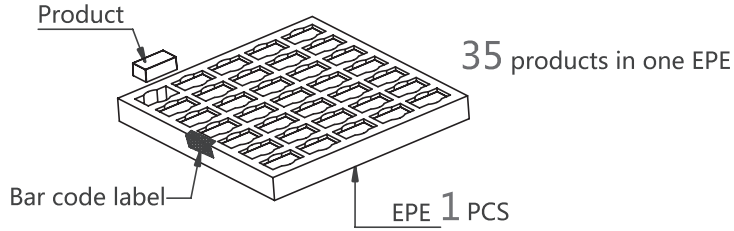
## PACKAGING (BOARD MOUNT)

units: mm

Inner Carton Size: 370 x 350 x 115 mm

Outer Carton Size: 400 x 365 x 225 mm

Outer Carton QTY: 210 pcs



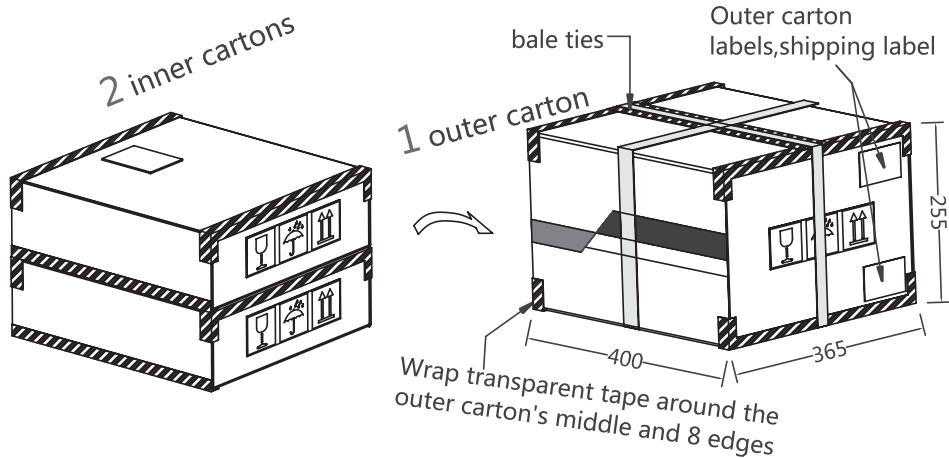
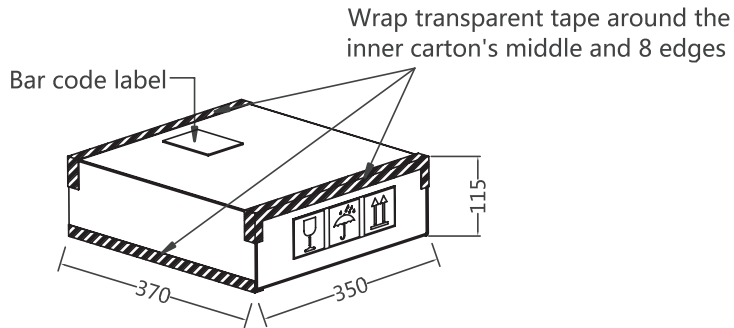
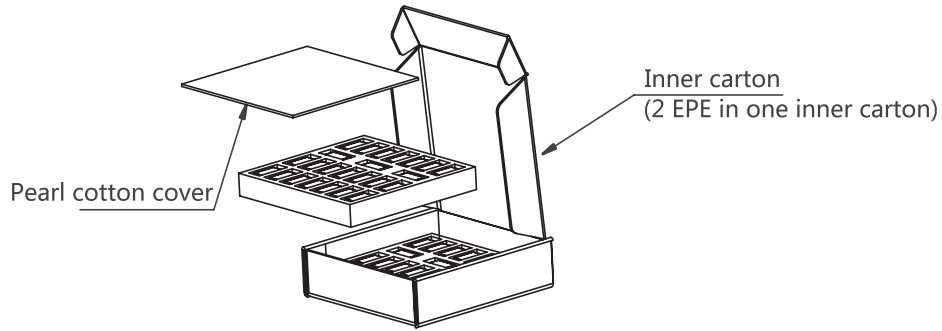
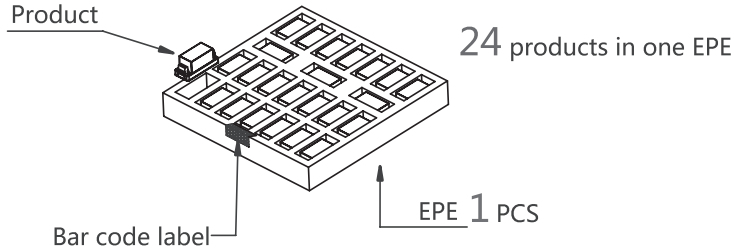
## PACKAGING (CHASSIS, DIN-RAIL MOUNT)

units: mm

Inner Carton Size: 370 x 350 x 115 mm

Outer Carton Size: 400 x 365 x 255 mm

Outer Carton QTY: 96 pcs



## REVISION HISTORY

---

rev.	description	date
1.0	initial release	12/17/2018

The revision history provided is for informational purposes only and is believed to be accurate.



**CUI INC**<sup>®</sup>

**Headquarters**  
20050 SW 112th Ave.  
Tualatin, OR 97062  
**800.275.4899**

Fax 503.612.2383  
**cui.com**  
techsupport@cui.com

CUI offers a two (2) year limited warranty. Complete warranty information is listed on our website.

CUI reserves the right to make changes to the product at any time without notice. Information provided by CUI is believed to be accurate and reliable. However, no responsibility is assumed by CUI for its use, nor for any infringements of patents or other rights of third parties which may result from its use.

CUI products are not authorized or warranted for use as critical components in equipment that requires an extremely high level of reliability. A critical component is any component of a life support device or system whose failure to perform can be reasonably expected to cause the failure of the life support device or system, or to affect its safety or effectiveness.