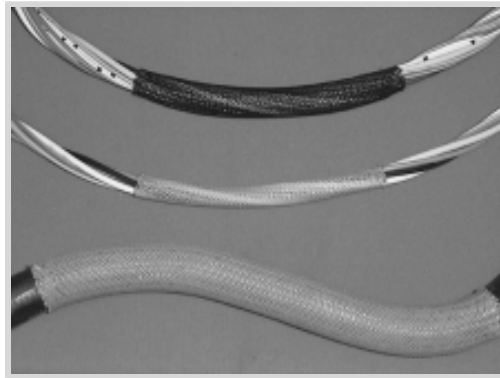




Heat Shrink Tubing > VERSAFLEX Heat Shrink Tubing



Wall Type: **Braid**

Primary Product Material: **Polyester**

Tubing Flammability Type: **Non-Flame-Retardant**

Packaging Method: **Box**

Operating Temperature Range: **-50 – 150 °C**

[All VERSAFLEX Heat Shrink Tubing \(39\)](#)

Features

Product Type Features

Wall Type	Braid
-----------	-------

Body Features

Primary Product Material	Polyester
Flexibility	Flexible

Dimensions

Tubing Size Range	4. – 12. mm [.157 – .472 in]
-------------------	------------------------------

Usage Conditions

Resistance Properties	Moisture
Tubing Flammability Type	Non-Flame-Retardant
Operating Temperature Range	-50 – 150 °C

Operation/Application

Mechanical Resistance	Mechanical Damage
-----------------------	-------------------

Product Availability

Applicable Region	Global
-------------------	--------

Packaging Features



Packaging Method	Box
------------------	-----

Other

Meets Low Outgassing Requirements	No
Product Source	Europe

Product Compliance

[For compliance documentation, visit the product page on TE.com>](#)

EU RoHS Directive 2011/65/EU	Compliant
EU ELV Directive 2000/53/EC	Compliant
China RoHS 2 Directive MIIT Order No 32, 2016	No Restricted Materials Above Threshold
EU REACH Regulation (EC) No. 1907/2006	Current ECHA Candidate List: JUNE 2024 (241) Candidate List Declared Against: JUNE 2024 (241) Does not contain REACH SVHC
Halogen Content	Low Halogen - Br, Cl, F, I < 900 ppm per homogenous material. Also BFR/CFR/PVC Free
Solder Process Capability	Not applicable for solder process capability

Product Compliance Disclaimer

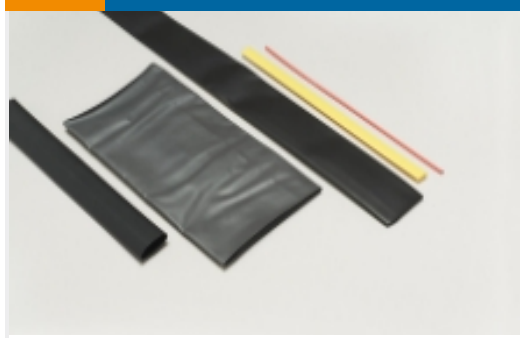
This information is provided based on reasonable inquiry of our suppliers and represents our current actual knowledge based on the information they provided. This information is subject to change. The part numbers that TE has identified as EU RoHS compliant have a maximum concentration of 0.1% by weight in homogenous materials for lead, hexavalent chromium, mercury, PBB, PBDE, DBP, BBP, DEHP, DIBP, and 0.01% for cadmium, or qualify for an exemption to these limits as defined in the Annexes of Directive 2011/65/EU (RoHS2). Finished electrical and electronic equipment products will be CE marked as required by Directive 2011/65/EU. Components may not be CE marked. Additionally, the part numbers that TE has identified as EU ELV compliant have a maximum concentration of 0.1% by weight in homogenous materials for lead, hexavalent chromium, and mercury, and 0.01% for cadmium, or qualify for an exemption to these limits as defined in the Annexes of Directive 2000/53/EC (ELV). Regarding the REACH Regulation, the information TE provides on SVHC in articles for this part number is based on the latest European Chemicals Agency (ECHA) 'Guidance on requirements for substances in articles' posted at this URL: <https://echa.europa.eu/guidance-documents/guidance-on-reach>

Compatible Parts





Also in the Series | RAYCHEM VERSAFLEX



Heat Shrink Tubing(32)

Customers Also Bought



TE Part #DT04-4P-E004
REC, 4P, BLK, N



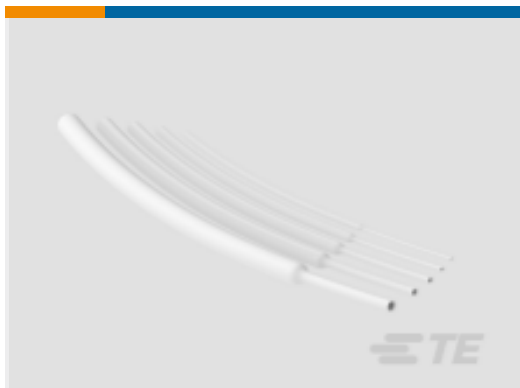
TE Part #YDTS26F19-32PNV001
PLUG ASSY



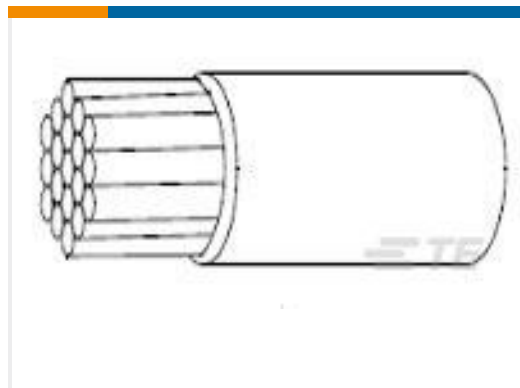
TE Part #YDTS24F09-35PNV001
RECP ASSY



TE Part #NB12834001
RNF-100-1/2-CL-SP



TE Part #NB13742001
RNF-100-WH Heat Shrink Tubing



TE Part #216296-002
22759/32-18-9



TE Part #667353-000
CWT-1501



TE Part #YDTS32F23RV0010000
DTS CAP ASSY, NICKEL, SIZE 23 PLUG

Documents

Product Drawings

[VERSAFLEX-06-0-SP](#)

English

Datasheets & Catalog Pages

[Versaflex and Versaflex-FR](#)

English

Product Specifications

[Application Specification](#)

English