

VERSAFIT-MINI-SPL-3/32-BK ✓ ACTIVE

RAYCHEM | RAYCHEM Versafit

TE Internal #: D70981-000

Black, 2:1, Single Wall Tubing, Shrinks To .046 in [1.17 mm],
Irradiated Modified Polyolefin, .11 in [2.79 mm] Inner Diameter,
RAYCHEM Versafit

[View on TE.com >](#)



Heat Shrink Tubing



Primary Product Color: **Black**

Wall Type: **Single Wall**

Expanded Inside Diameter (Min): **2.79 mm [.11 in]**

Recovered Inside Diameter (Max): **1.17 mm [.046 in]**

Shrink Ratio: **2:1**

Features

Product Type Features

Wall Type	Single Wall
-----------	-------------

Electrical Characteristics

Operating Voltage (Max)	.6 kV
-------------------------	-------

Body Features

Fluid Type	Aviation Fuel, Chemicals/Solvents, De-Icing Fluid, Hydraulic Fluid, Lubricating Oil, Water
Primary Product Color	Black
Shrink Ratio	2:1
Primary Product Material	Irradiated Modified Polyolefin
Flexibility	Very Flexible

Dimensions

Recovered Wall Thickness (Tolerance)	.16 mm[.006 in]
Recovered Wall Thickness (Nominal)	.51 mm[.02 in]
Expanded Inside Diameter (Min)	2.79 mm[.11 in]
Recovered Inside Diameter (Max)	1.17 mm[.046 in]

Usage Conditions

Shrink Temperature (Min)	70 °C
--------------------------	-------



Tubing Flammability Type	Highly Flame-Retardant
Operating Temperature Range	-55 – 135 °C
Recovery Temperature	90 °C

Operation/Application

Mechanical Resistance	Fluids, Strain Relief, Wrinkling
-----------------------	----------------------------------

Product Availability

Applicable Region	Global
-------------------	--------

Packaging Features

Packaging Method	Mini Spool
------------------	------------

Other

Meets Low Outgassing Requirements	No
Product Source	Czech Republic

Product Compliance

[For compliance documentation, visit the product page on TE.com>](#)

EU RoHS Directive 2011/65/EU	Compliant
EU ELV Directive 2000/53/EC	Compliant
China RoHS 2 Directive MIIT Order No 32, 2016	No Restricted Materials Above Threshold
EU REACH Regulation (EC) No. 1907/2006	Current ECHA Candidate List: JUNE 2024 (241) Candidate List Declared Against: JUNE 2024 (241) Does not contain REACH SVHC
Halogen Content	Not Low Halogen - contains Br or Cl > 900 ppm.
Solder Process Capability	Not applicable for solder process capability

Product Compliance Disclaimer

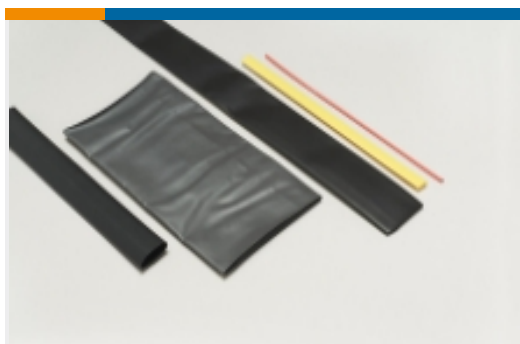
This information is provided based on reasonable inquiry of our suppliers and represents our current actual knowledge based on the information they provided. This information is subject to change. The part numbers that TE has identified as EU RoHS compliant have a maximum concentration of 0.1% by weight in homogenous materials for lead, hexavalent chromium, mercury, PBB, PBDE, DBP, BBP, DEHP, DIBP, and 0.01% for cadmium, or qualify for an exemption to these limits as defined in the Annexes of Directive 2011/65/EU (RoHS2). Finished electrical and electronic equipment products will be CE marked as required by Directive 2011/65/EU. Components may not be CE marked. Additionally, the part numbers that TE has identified as EU ELV compliant have a maximum concentration of 0.1% by weight in homogenous materials for lead, hexavalent chromium, and mercury, and 0.01% for cadmium, or qualify for an exemption to these limits as defined in the Annexes of Directive 2000/53/EC (ELV). Regarding the REACH Regulation, the information TE provides on SVHC in articles for this part number is based on the latest European Chemicals Agency (ECHA) 'Guidance on requirements for substances in articles' posted at this URL: <https://echa.europa.eu/guidance-documents/guidance-on-reach>

Compatible Parts



TE Part # EG1114-000
CV1981-ST-230V1600W-EU

Also in the Series | RAYCHEM Versafit

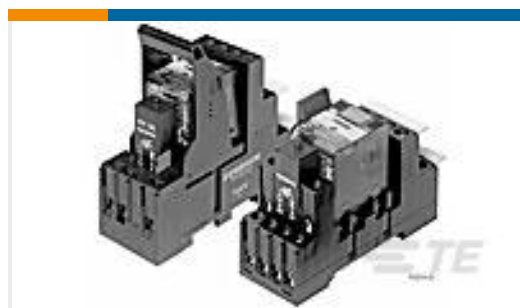


Heat Shrink Tubing(257)

Customers Also Bought



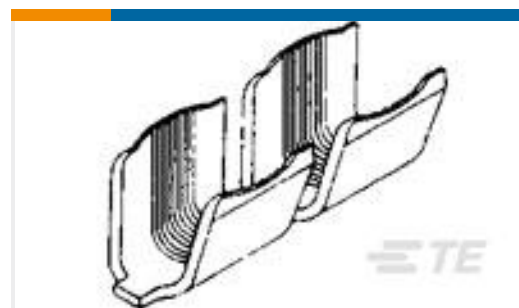
TE Part #58246-1
MTA 100 CRIMP HEAD REPAIR
DISCRETE



TE Part #9-1415075-1
PT5S7LB2



TE Part #1734100-8
Champ050 series,80pos,Au over PdNi



TE Part #42778-2
SPLICE AMPLIVAR 600-3000 CMA



TE Part #1-2301994-2
RJ45 JACK INT.MAG. 1GB LED 1X1



TE Part #D57591-000
VERSAFIT-MINI-SPL-3/8-BK



TE Part #F64479-000
VERSAFIT-MINI-SPL-1/4-BK



TE Part #E37316-000
VERSAFIT-MINI-SPL-1/2-BK

Documents

Product Drawings

[VERSAFIT-MINI-SPL-3/32-BK](#)

English

Datasheets & Catalog Pages



[Measuring_Single_Wall_Tubing](#)

English

[Tubing Kits Pages from 9-1773447-9](#)

English

[Selecting_Correct_Tubing_1216](#)

English

[Product Specifications](#)

[Application Specification](#)

English