

VERSAFIT-KIT-4-0 ✓ ACTIVE

RAYCHEM | RAYCHEM Versafit

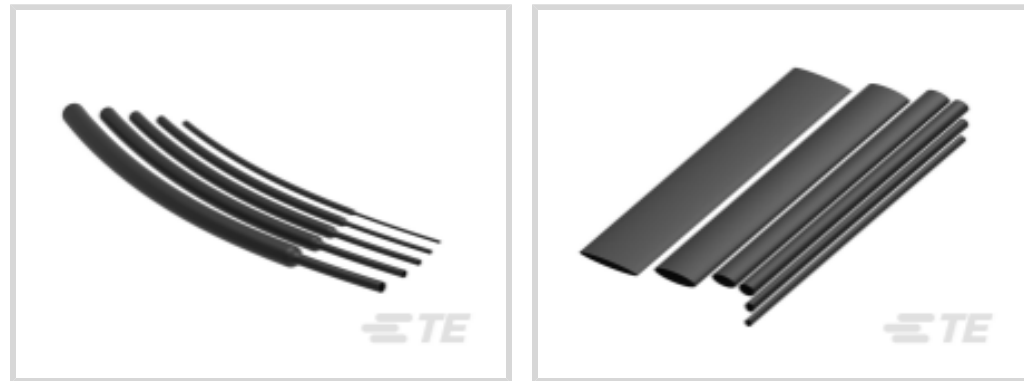
TE Internal #: E32151-000

Black, 2:1, Single Wall Tubing, Shrinks To 2 in [50.8 mm], Irradiated Modified Polyolefin, 4.1 in [104.14 mm] Inner Diameter, RAYCHEM Versafit

[View on TE.com >](#)



Heat Shrink Tubing



Primary Product Color: **Black**

Wall Type: **Single Wall**

Expanded Inside Diameter (Min): **104.14 mm [4.1 in]**

Recovered Inside Diameter (Max): **50.8 mm [2 in]**

Shrink Ratio: **2:1**

Features

Product Type Features

Wall Type	Single Wall
-----------	-------------

Electrical Characteristics

Operating Voltage (Max)	.6 kV
-------------------------	-------

Body Features

Fluid Type	Aviation Fuel, Chemicals/Solvents, De-Icing Fluid, Hydraulic Fluid, Lubricating Oil, Water
Primary Product Color	Black
Shrink Ratio	2:1
Primary Product Material	Irradiated Modified Polyolefin
Flexibility	Very Flexible

Dimensions

Product Length	152.4 mm[6 in]
Expanded Inside Diameter (Min)	104.14 mm[4.1 in]
Recovered Inside Diameter (Max)	50.8 mm[2 in]
Tubing Size Range	50.8 – 104.14 mm[2 – 4.1 in]

Usage Conditions

Shrink Temperature (Min)	70 °C
--------------------------	-------



Tubing Flammability Type	Highly Flame-Retardant
Operating Temperature Range	-55 – 135 °C
Recovery Temperature	90 °C

Operation/Application

Mechanical Resistance	Fluids, Strain Relief, Wrinkling
-----------------------	----------------------------------

Product Availability

Applicable Region	Global
-------------------	--------

Packaging Features

Packaging Method	Box
------------------	-----

Other

Meets Low Outgassing Requirements	No
Product Source	Czech Republic

Product Compliance

[For compliance documentation, visit the product page on TE.com>](#)

EU RoHS Directive 2011/65/EU	Compliant
EU ELV Directive 2000/53/EC	Compliant
China RoHS 2 Directive MIIT Order No 32, 2016	No Restricted Materials Above Threshold
EU REACH Regulation (EC) No. 1907/2006	Current ECHA Candidate List: JUNE 2024 (241) Candidate List Declared Against: JAN 2024 (240) Does not contain REACH SVHC
Halogen Content	Low Halogen - Br, Cl, F, I < 900 ppm per homogenous material. Also BFR/CFR/PVC Free
Solder Process Capability	Not applicable for solder process capability

Product Compliance Disclaimer

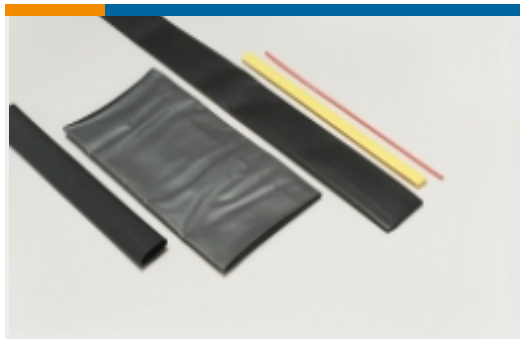
This information is provided based on reasonable inquiry of our suppliers and represents our current actual knowledge based on the information they provided. This information is subject to change. The part numbers that TE has identified as EU RoHS compliant have a maximum concentration of 0.1% by weight in homogenous materials for lead, hexavalent chromium, mercury, PBB, PBDE, DBP, BBP, DEHP, DIBP, and 0.01% for cadmium, or qualify for an exemption to these limits as defined in the Annexes of Directive 2011/65/EU (RoHS2). Finished electrical and electronic equipment products will be CE marked as required by Directive 2011/65/EU. Components may not be CE marked. Additionally, the part numbers that TE has identified as EU ELV compliant have a maximum concentration of 0.1% by weight in homogenous materials for lead, hexavalent chromium, and mercury, and 0.01% for cadmium, or qualify for an exemption to these limits as defined in the Annexes of Directive 2000/53/EC (ELV). Regarding the REACH Regulation, the information TE provides on SVHC in articles for this part number is based on the latest European Chemicals Agency (ECHA) 'Guidance on requirements for substances in articles' posted at this URL: <https://echa.europa.eu/guidance-documents/guidance-on-reach>

Compatible Parts



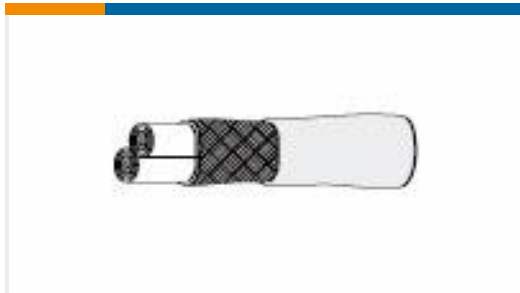
TE Part # EG1114-000
CV1981-ST-230V1600W-EU

Also in the Series | RAYCHEM Versafit

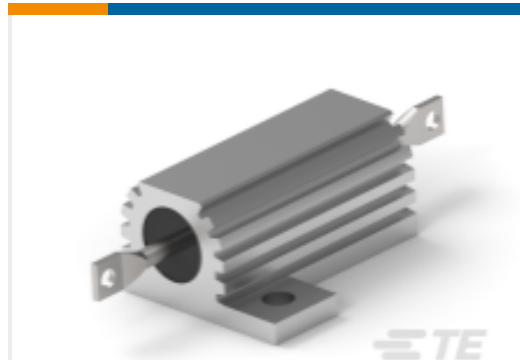


Heat Shrink Tubing(257)

Customers Also Bought



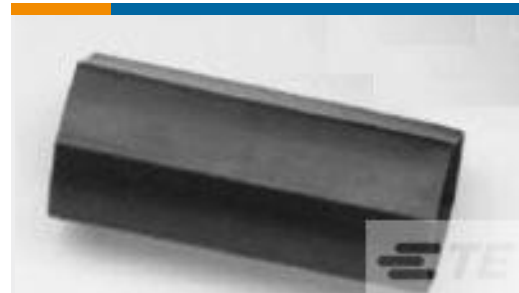
TE Part #461081-000
55PC6003-18-2/6-9CS2502



TE Part #1879073-2
Power Resistor: Aluminum Housed, 75 Watt



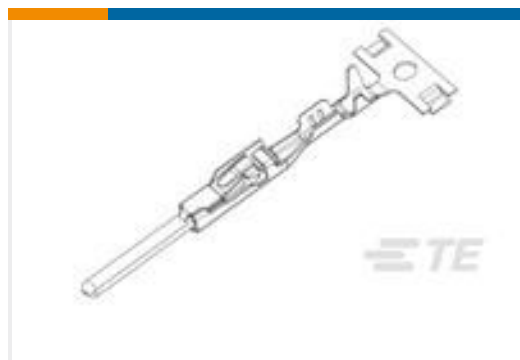
TE Part #226990-1
RTANG JACK, BNC PCB



TE Part #CB5141-000
HRSR-060FR-10



TE Part #5672696010
TSAS-NR502-X-10MM



TE Part #2141864-1
MCON 1.2 LL TAB STC SN



TE Part #YDTS26F09-35SCV001
PLUG ASSY



TE Part #CONSMA001
SMA Jack 50 Ohm PCB Through Hole

Documents

Product Drawings

VERSAFIT-KIT-4-0

English



Datasheets & Catalog Pages

[Measuring_Single_Wall_Tubing](#)

English

[Tubing Kits Pages from 9-1773447-9](#)

English

[Selecting_Correct_Tubing_1216](#)

English

Product Specifications

[Application Specification](#)

English