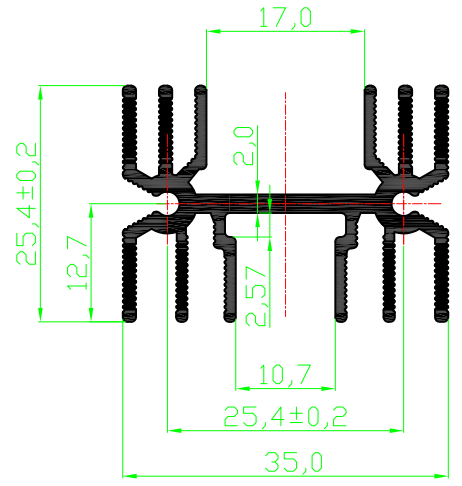
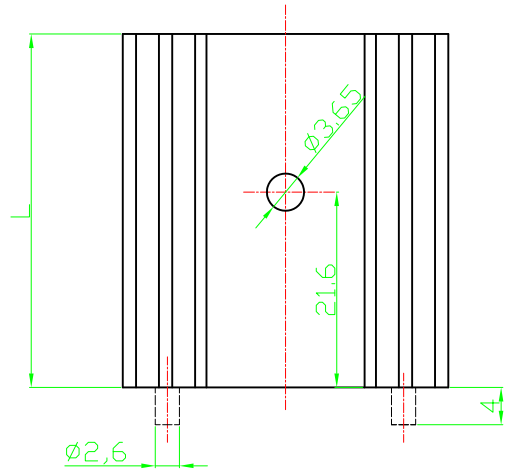


RoHS compliant



Notes
 Material : AL 6063
 Finished : Black Anodized

Option	L	Thermal resistance(K/W)
V2000W	25	6.5
V2000X	38	5
V2000Y	50	4

Scale	FREE						Date	Name	Customer-No.
TOLERANCE							Drawn	11.08.2009	Dean
							Approved	23.06.2010	Andy
UNIT	± 0.2	③	Fill profile	23.06.2010	Dean				ASSMANN WSW-No. V2000x
DIM	TOL	②	Modify drawing layout	10.03.2010	Dean		Drawing-No.		ASS 0869 HS
X.°	$\pm X^\circ$	①	Drawn	11.08.2009	Dean		ASS 0869 HS		
X.X°	$\pm X^\circ$						Replace	Sheet	
Angle	TOL	Id.	Modification	Date	Name				

1

2

3

4

5

6

7