

UV-SCE-3/8-2.0-4 ✓ ACTIVE

RAYCHEM | RAYCHEM UV-SCE

TE Internal #: EC6640-000

Printable Tubing, Ladder, UV Resistant, 2:1 Shrink Ratio, Yellow, Markers per Sleeve 1, Length 2 in [50 mm], RAYCHEM UV-SCE

[View on TE.com >](#)



Identification & Labeling > Printable Tubing > UV Resistant Sleeves, UV-SCE



Printable Tubing Type: **Ladder**

Printable Tubing Grade: **UV Resistant**

Shrink Ratio: **2:1**

Primary Product Color: **Yellow**

Markers per Sleeve: **1**

[All UV Resistant Sleeves, UV-SCE \(26\)](#)

Features

Product Type Features

Printable Tubing Type	Ladder
Printable Tubing Grade	UV Resistant

Body Features

Shrink Ratio	2:1
Primary Product Color	Yellow
Markers per Sleeve	1

Dimensions

Product Length	50 mm[2 in]
Expanded Inside Diameter (Min)	9.5 mm[.375 in]
Recovered Inside Diameter (Max)	4.75 mm[.187 in]
Compatible Cable Diameter Range	5.3 – 8.1 mm[.209 – .319 in]

Usage Conditions

Operating Temperature Range	-55 – 200 °C[-67 – 392 °F]
-----------------------------	----------------------------

Printer/Label Features

Printer Technology	Thermal Transfer
--------------------	------------------

Packaging Features

Packaging Quantity	250
--------------------	-----



Product Compliance

[For compliance documentation, visit the product page on TE.com>](#)

EU RoHS Directive 2011/65/EU	Compliant
EU ELV Directive 2000/53/EC	Compliant
China RoHS 2 Directive MIIT Order No 32, 2016	No Restricted Materials Above Threshold
EU REACH Regulation (EC) No. 1907/2006	Current ECHA Candidate List: JUNE 2023 (235) Candidate List Declared Against: JUNE 2023 (235) Does not contain REACH SVHC
Halogen Content	Low Bromine/Chlorine - Br and Cl < 900 ppm per homogenous material. Also BFR /CFR/PVC Free
Solder Process Capability	Not applicable for solder process capability

Product Compliance Disclaimer

This information is provided based on reasonable inquiry of our suppliers and represents our current actual knowledge based on the information they provided. This information is subject to change. The part numbers that TE has identified as EU RoHS compliant have a maximum concentration of 0.1% by weight in homogenous materials for lead, hexavalent chromium, mercury, PBB, PBDE, DBP, BBP, DEHP, DIBP, and 0.01% for cadmium, or qualify for an exemption to these limits as defined in the Annexes of Directive 2011/65/EU (RoHS2). Finished electrical and electronic equipment products will be CE marked as required by Directive 2011/65/EU. Components may not be CE marked. Additionally, the part numbers that TE has identified as EU ELV compliant have a maximum concentration of 0.1% by weight in homogenous materials for lead, hexavalent chromium, and mercury, and 0.01% for cadmium, or qualify for an exemption to these limits as defined in the Annexes of Directive 2000/53/EC (ELV). Regarding the REACH Regulation, the information TE provides on SVHC in articles for this part number is based on the latest European Chemicals Agency (ECHA) 'Guidance on requirements for substances in articles' posted at this URL: <https://echa.europa.eu/guidance-documents/guidance-on-reach>

Compatible Parts

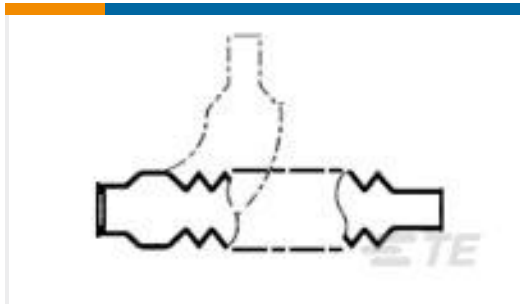
 <p>TE Part # 1-2186500-1 T3212-PRINTER</p>	 <p>TE Part # 1-2186503-1 T3224-SWARE-PRINTER</p>	 <p>TE Part # 1-2186501-1 T3212-SWARE-PRINTER</p>	 <p>TE Part # 1-2186502-1 T3224-PRINTER</p>
--	--	--	--

Also in the Series | **RAYCHEM UV-SCE**



Printable Tubing(26)

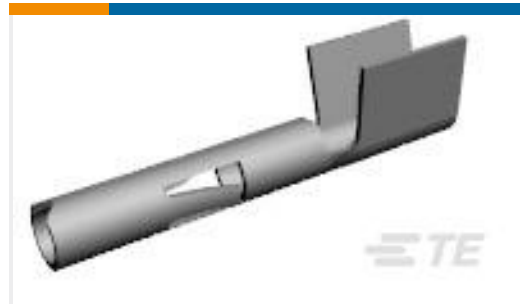
Customers Also Bought



TE Part #806234-000
202C621-50-0



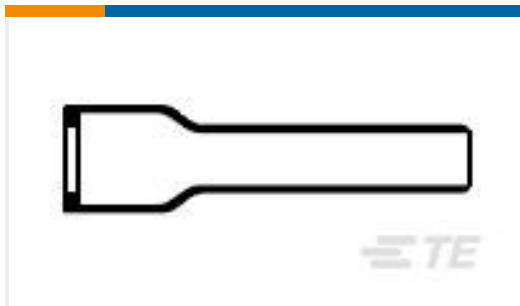
TE Part #747784-8
JACKSCREW KIT,4-40, BULK



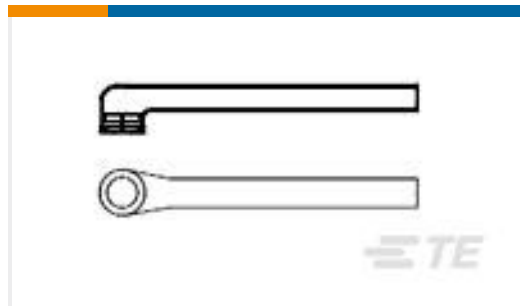
TE Part #640310-3
UMNL SOK 12-10 PTPPHBZ



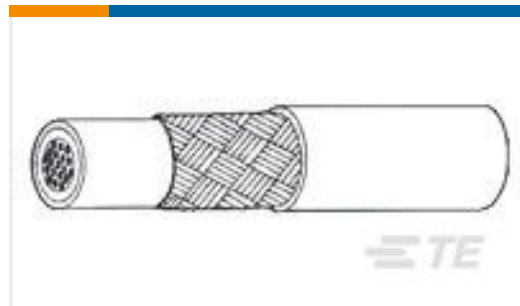
TE Part #159310-000
SO63-5-55-22-5



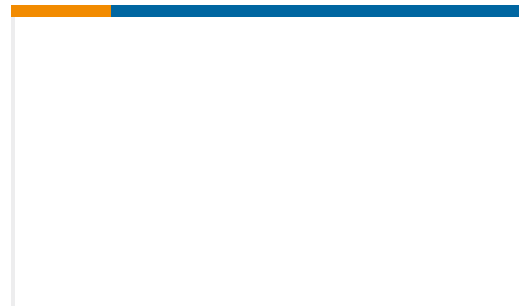
TE Part #811134-000
202D221-12-0



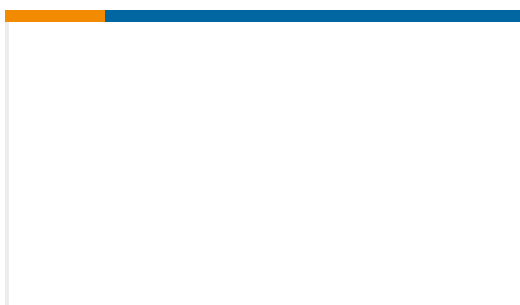
TE Part #808605-000
222D132-4/42-0



TE Part #970155-000
44AM1111-20-9-9CS2275



TE Part #EG4243-000
PWR0113-0000-0



TE Part #EG4241-000
PWR0113-00-0

Documents

Product Drawings

[UV-SCE-3/8-2.0-4](#)

English

Datasheets & Catalog Pages

[UV-SCE](#)

English

Product Specifications



UV-SCE

English

IDENTIFICATION PRINTER PRODUCT RIBBON MATRIX

English

Instruction Sheets

[Instruction Sheet \(non U.S.\)](#)

English