

		S P E C I F I C A T I O N (R E V I S I O N S)		T Y P E U U 9 L F	
MARKING	DATE	REQUEST No.	REVISIONS	CLIENT	

NOTE :
THIS SPECIFICATION IS SUBJECT TO CHANGE WITHOUT NOTICE FOR
IMPROVEMENT. IT IS REQUESTED THAT CONFIRMATION IS MADE WHEN ORDERING

SPEC. NO.
S - 0 7 4 - 6 2 9 7
1 / 5

SPECIFICATION

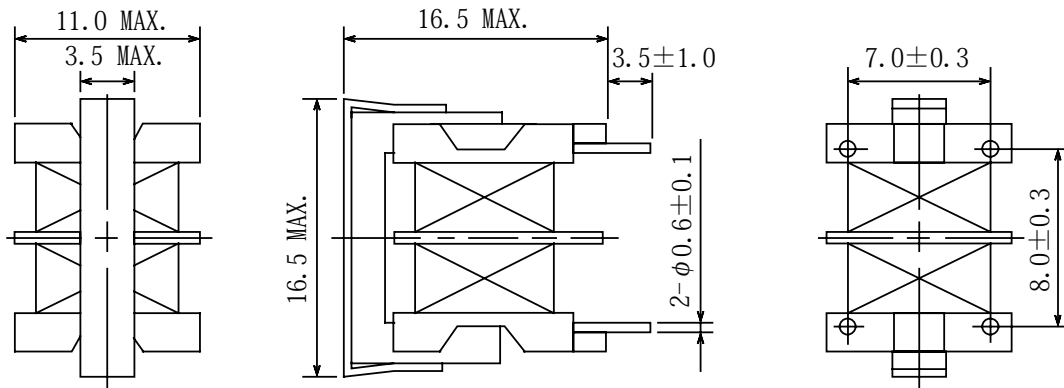
TYPE UU9LF

1. SCOPE AND GENERAL STIPULATIONS

REF. TO S-074-1510.

2. APPEARANCE

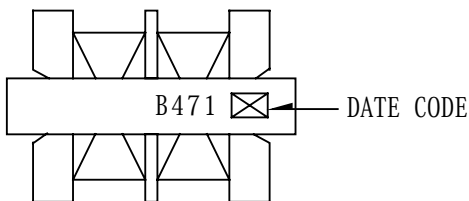
2-1. DIMENSION(mm)



* DIMENSION DOES NOT INCLUDE SOLDER USED ON COIL.

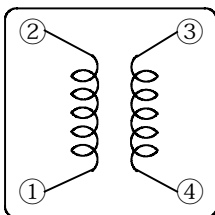
* TERMINAL PITCH IS MEASURED AT THE BASE. (NOT FROM TIP OF THE PIN.)

2-2. STAMP(E. G.)



3. COIL SPECIFICATION

3-1. CONNECTION(BOTTOM VIEW)



LEAD FREE

* WINDING START IS #1, #4 OR #2, #3.

* #1 AND #4, #2 AND #3 : SHOULD BE SAME POLARITY.

MADE: 17th, Sep., 2003			PART NAME	REF. TO ELECTRICAL CHARACTERISTICS	
CHK.	CHK.	DRG.	SUMIDA CODE	3331	
LIAO XI	WU MENGYU	CHEN MAOLAN J	SAMPLE NO.	4370-887	SPEC. NO. S-074-6297 2/5
			FIRST ISSUE		

S P E C I F I C A T I O N

T Y P E
U U 9 L F

3-2. ELECTRICAL CHARACTERISTICS

NO.	PART NO.	STAMP	INDUCTANCE [MIN.] (mH) 1-2 4-3 (at 1kHz)	DIFFERENCE OF INDUCTANCE [MAX.] (μ H)	D. C. R. [MAX.] (Ω) 1-2 4-3 (at 20°C)	ALLOWABLE CURRENT (mA) ※ 1	SUMIDA CODE
01	UU9LFNP-B471	B471	0.47	25	0.15	1000	-0007
02	UU9LFNP-B681	B681	0.68	25	0.25	850	-0008
03	UU9LFNP-B1Ø2	B102	1.0	50	0.35	700	-0009
04	UU9LFNP-B222	B222	2.2	50	0.7	500	-0010
05	UU9LFNP-B392	B392	3.9	100	1.2	380	-0011
06	UU9LFNP-B472	B472	4.7	100	1.6	340	-0012
07	UU9LFNP-B682	B682	6.8	150	2.5	250	-0013
08	UU9LFNP-B1Ø3	B103	10.0	200	4.0	200	-0014

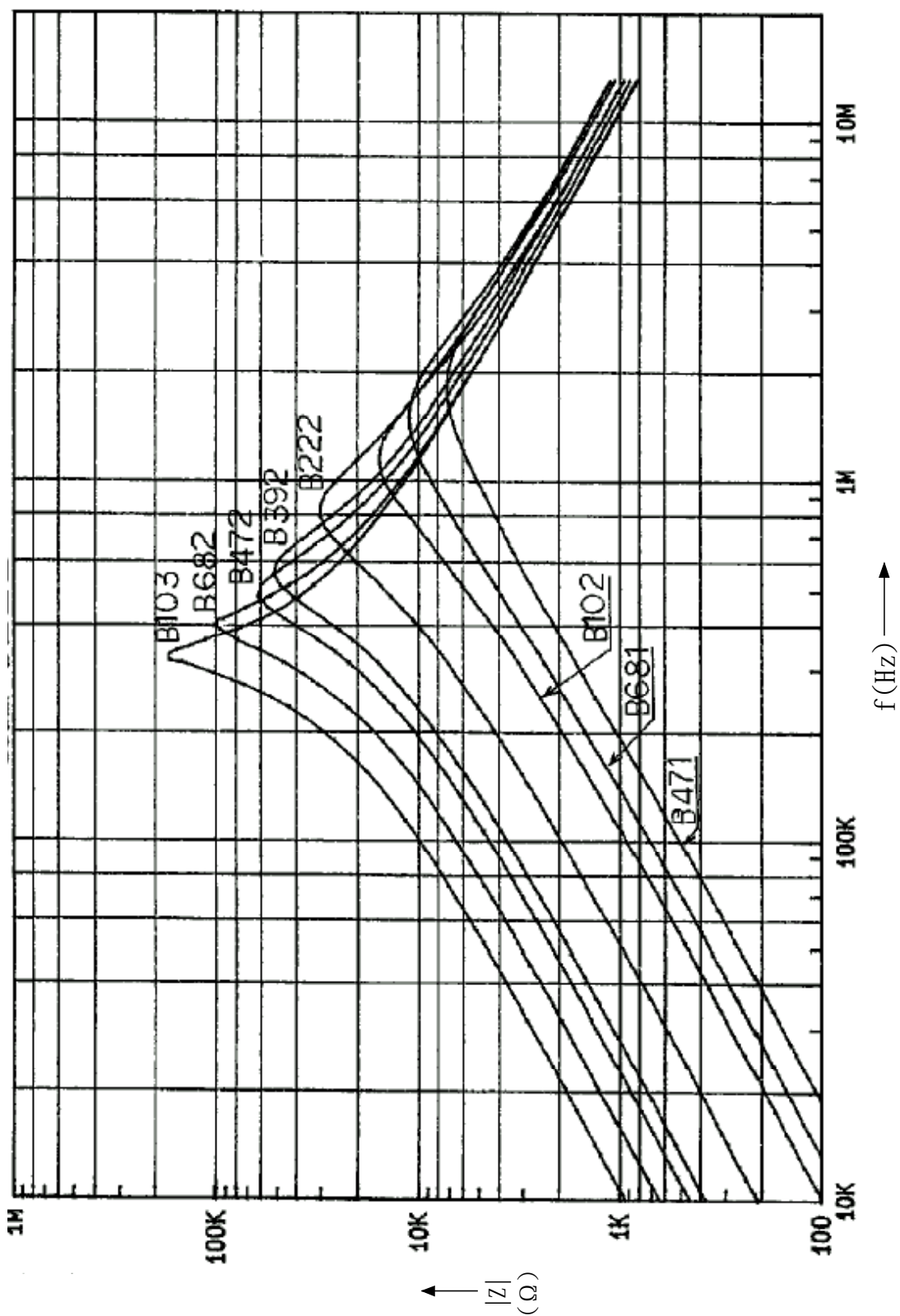
※ 1 ALLOWABLE CURRENT:D.C. CURRENT WHEN TEMPERATURE OF COIL INCREASED UP TO 40°C. (Ta=20°C)

NOTE :	SPEC. NO. S-074-6297 3/5
--------	---------------------------------------

SPECIFICATION

TYPE
UU9LF

3-3. $f-|Z|$ CHARACTERISTIC GRAPHS (REF.)



NOTE :

SPEC. NO.

S-074-6297

4/5

SPECIFICATION

TYPE UU9LF

4. GENERAL CHARACTERISTICS

- 4-1. STORAGE TEMPERATURE RANGE $-40^{\circ}\text{C} \sim +85^{\circ}\text{C}$
- 4-2. OPERATING TEMPERATURE RANGE $-40^{\circ}\text{C} \sim +85^{\circ}\text{C}$ (INCLUDING COIL'S SELF TEMPERATURE RISE)
- 4-3. EXTERNAL APPEARANCE NO EXTERNAL DEFECTS CAN BE FOUND IN THE VISUAL INSPECTION.
- 4-4. TERMINAL STRENGTH NO DISTINGUISHED TERMINAL PEELING OFF OR WIRE BROKEN SHOULD BE FOUND AFTER EACH OF THE TERMINAL IS APPLIED WITH STATIC PULLING FORCE OF 4.9N FOR 60 ± 5 SECONDS.
- 4-5. HEAT RESISTANCE NO DISTINGUISHED STRUCTURE AND ELECTRIC DEFECTS SHOULD BE FOUND AFTER $1.5 \pm 0.5\text{mm}$ HIGH BOTTOM OF ALL THE TERMINALS ARE IMMERSSED IN THE MELTED SOLDER OF $270 \pm 5^{\circ}\text{C}$ FOR 5 ± 0.5 SECONDS.
- 4-6. INSULATING RESISTANCE VOLTAGE PROOF THE INSULATION RESISTANCE SHOULD BE OVER $100\text{M}\Omega$ WHEN D.C. 500V IS APPLIED TO COIL-COIL AND COIL-CORE, MEANWHILE NO STRUCTURE AND ELECTRIC DEFECTS SHOULD BE FOUND IN 1 MINUTE. NO DAMAGE TO THE INSULATION SHOULD BE FOUND AFTER A.C. $2000\text{V}_{\text{rms}}$ IS (50Hz OR 60Hz) APPLIED TO COIL-COIL AND COIL-CORE, MEANWHILE NO STRUCTURE AND ELECTRIC DEFECTS SHOULD BE FOUND IN 1 MINUTE.
- 4-7. VIBRATION TEST INDUCTANCE DEVIATION IS WITHIN $\pm 3.0\%$ AFTER 1 HOUR SWEEPING VIBRATION IN EACH THREE DIRECTIONS, NAMELY, FORWARD AND BACKWARD, UP AND DOWN, RIGHT AND LEFT. THE FREQUENCY IS $10 \sim 55 \sim 10\text{Hz}$ AND THE AMPLITUDE OF 1 MINUTE CYCLE IS 1.5mm PP .
- 4-8. SHOCK TEST INDUCTANCE DEVIATION IS WITHIN $\pm 3.0\%$ AFTER THE TEST WITH GUM-BLOCK SHOCK TESTING MACHINE, ONCE IN EACH OF THE THREE PERPENDICULAR AXIS DIRECTIONS. THE SHOCK ACCELERATION IS 981m/s^2 .
- 4-9. HUMIDITY TEST INDUCTANCE DEVIATION IS WITHIN $\pm 5.0\%$ AFTER 96 ± 4 HOURS TEST UNDER THE CONDITION OF RELATIVE HUMIDITY OF $90 \sim 95\%$ AND TEMPERATURE OF $60 \pm 2^{\circ}\text{C}$, AND 1 HOUR STORAGE UNDER ROOM AMBIENT CONDITIONS AFTER THE DEVICE IS WIPED WITH DRY CLOTH.

5. NOTE

- * THE COIL SHOULD BE HANDLED ONE BY ONE FROM THE PACKING BOX WHEN ASSEMBLED TO P.C.B. TO PREVENT THE WIRE BREAKING FOR THE WIRE EXPOSED TO THE AIR, AND KEEP THE COIL NOT TOUCHING THE OTHER PARTS.
- * THIS COIL HAS NO POLARITY.

NOTE :	SPEC. NO. S-074-6297 5/5
--------	--------------------------------