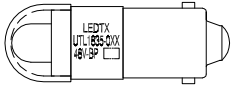
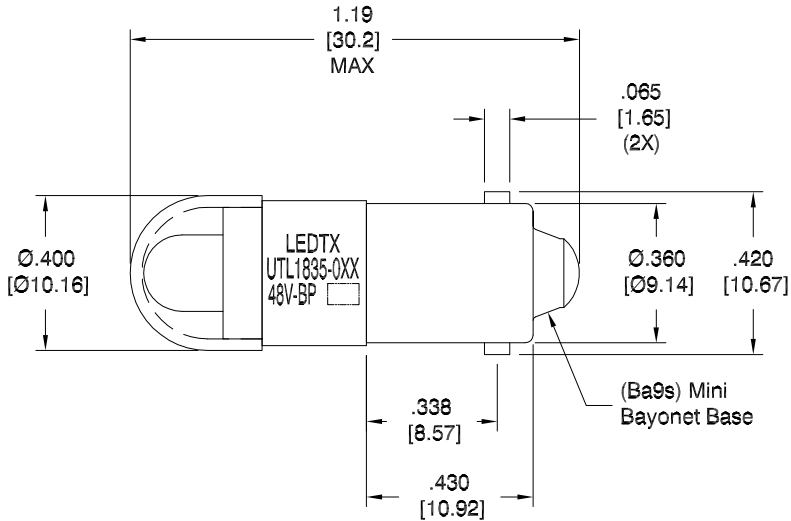


LTR	REVISION	DATE	APPD
-	RELEASED (REF. ECR#052518-GP01)	07-11-18	



ACTUAL SIZE



NOTES:

1. ALL DIMENSIONS ARE IN INCHES [MILLIMETERS].
2. LENS MATERIAL / COLOR: POLYCARBONATE-UV STABILIZED. (UL94V-2) / CLEAR
3. SLEEVE MATERIAL: GENERAL POLYMERS RYNITE FR530 (UL 94HB)
4. BASE MATERIAL: (BODY) BRASS & NICKEL PLATED BRASS (BARREL)

\*\*FULL BEAM WIDTH @ 50% INTENSITY

REVISION NOTIFICATION	
<input type="checkbox"/>	DLC
<input type="checkbox"/>	UL/ETL
<input type="checkbox"/>	MADE IN USA
<input type="checkbox"/>	CUSTOMER _____
<input type="checkbox"/>	OTHER
REDLINE CHECKLIST	
<input type="checkbox"/>	REDLINE(YES)
<input type="checkbox"/>	DATE: _____
<input type="checkbox"/>	INITIATED BY: _____
<input type="checkbox"/>	ECR REQUIRED YES <input type="checkbox"/> NO <input type="checkbox"/>
<input type="checkbox"/>	WORK ORDER# _____

ELECTRICAL - OPTICAL CHARACTERISTICS (Ta = 25°C)

UTL1835-0AG	AQUA GREEN	48Vdc	0.43 W	0.009 A	5.500cd	522nm	26°
UTL1835-0CW	COOL WHITE	48Vdc	0.43 W	0.009 A	8.100cd	8000K	30°
UTL1835-0IW	WARM WHITE	48Vdc	0.43 W	0.009 A	3.600cd	3000K	37°
UTL1835-0UR	SUPER RED	48Vdc	0.43 W	0.009 A	1.350cd	633nm	25°
UTL1835-0UY	SUPER YELLOW	48Vdc	0.43 W	0.009 A	2.340cd	593nm	20°
LEDTRONICS PART NO.	COLOR EMITTED	INPUT VOLTAGE, V	POWER (W)	CURRENT (A)	MAXIMUM CANDELA	λP nm	VIEWING ANGLE**
						COLOR TEMP. (K)	

<p>LEDTRONICS,™ INC. 23105 KASHIWA COURT TORRANCE, CA 90505</p>	<p>-PROPRIETARY- This document contains Proprietary information of LEDTRONICS,™ INC. It may not be copied, used or disclosed for any purpose without the prior express written consent of LEDTRONICS,™ INC.</p> <p>.XXX ± .010 TOLERANCE PER ANSI-Y14.5 .XX ± .025 (UNLESS OTHERWISE STATED) ANGLES ± 0°,30' FRACT. ± 1/32</p>	TITLE <b>UTL1835-0XX</b>					
		DWG NO UTL1835-CUST	SCALE 2:1	SHEET 1 OF 1	DATE 07-11-18		
		CODE IDENT NO. 8Z410	DWG BY GP 07-11-18	CHK BY	QA EE 08-08-18	MFG LD 08-08-18	R&D LUV 08-08-18