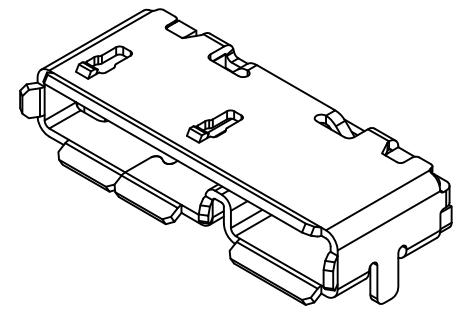
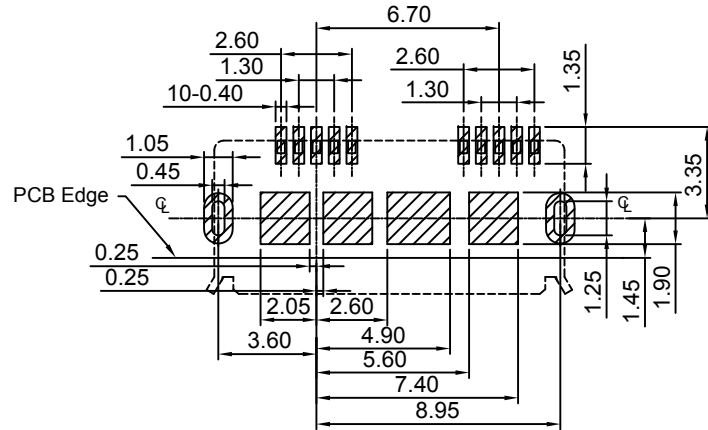
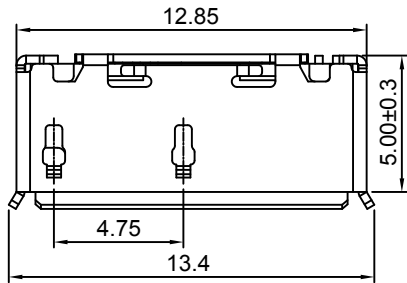


Designed to comply with physical, electrical and environmental requirements of micro USB Standard Compliance (USB3.0).

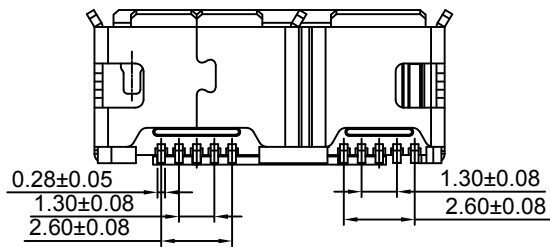
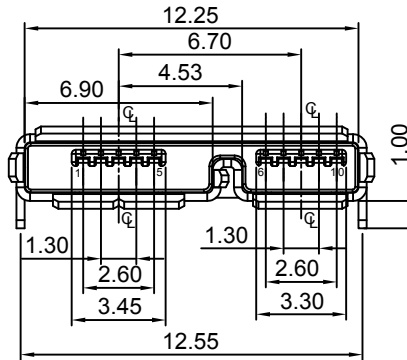
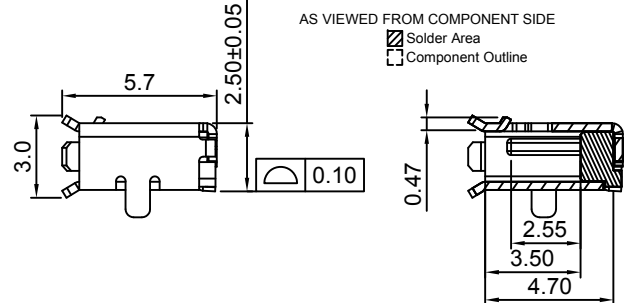


**RECOMMENDED P.C.B LAYOUT**

GENERAL TOLERANCE: ±0.05

AS VIEWED FROM COMPONENT SIDE

- Solder Area
- Component Outline



**Specifications 规格:**

**Materials 材料:**  
 Plastic Housing 塑胶外壳: LCP, UL94V-0, Black, LCP, UL94V-0 黑色  
 Contact Terminal 接触端子: Copper Alloy 铜合金  
 Metallic Shell 金属外壳: Stainless Steel 不锈钢  
**Finish 表面处理:**  
 Underplating 底层电镀: Nickel  
 Plating 电镀:  
 Contact Area 接触面积: 30µ" Gold  
 Solder Tails 焊接末端: Gold Flash  
 Metallic Shell 金属外壳: Tin

**Electrical 电气规格:**  
 Voltage Rating 电压额定值: 100 V AC/DC  
 Current Rating 电流额定值:  
 Signal Mode 信号模式: 1.0A AC/DC All Pins 所有引脚  
 Power Mode 电源模式  
 Signal Pins 信号引脚: 2,3,4,6,7,8,9 在 0.5A AC/DC & Power Pins 电源接脚: 1,5 在 1.8A AC/DC  
 Operating Temperature 工作温度: -30°C to +85°C  
 Contact Resistance 接触电阻值: 30mΩ Max.  
 Insulating Resistance 绝缘电阻值: 1000MΩ Min.  
 Dielectric Withstand Voltage 耐电压: 100V AC/Minute

**Mechanical 机械性规格:**  
 Mating Force 插入力: 35N Max.  
 Unmating Force 拔出力: 10N Min.  
 Durability 耐久性: 10000

| PIN NUMBER | SIGNAL NAME | DESCRIPTION                              | MATING SEQUENCE |
|------------|-------------|--|-----------------|
| 1          | VBUS        | Power                                    | Second          |
| 2          | D-          | USB 2.0 Differential pair                | Last            |
| 3          | D+          |  |                 |
| 4          | ID          | OTG identification                       |                 |
| 5          | GND         | Ground for power return                  | Second          |
| 6          | MicA_SSRX-  | SuperSpeed receiver differential pair    | Last            |
| 7          | MicA_SSRX+  |  |                 |
| 8          | GND_DRAIN   | Ground for SuperSpeed signal return      | Second          |
| 9          | MicA_SSTX-  | SuperSpeed transmitter differential pair | Last            |
| 10         | MicA_SSTX+  |  |                 |
| Shell      | Shield      | Connector metal shell                    | First           |

Ordering Grid  
**USB3120-30-A** REQUEST SAMPLES AND QUOTATION

Contact Plating  
 30 = 30µ" Gold

Packing Options  
 A = Tape & Reel  
 (1K per Reel)

|          |                 |                   |                         |
|----------|-----------------|-------------------|-------------------------|
| By       | ASE             | ASE               | AJO                     |
| DETAIL   | DRAWING RELEASE | PCN:- µUSB3.0-001 | PIN INFO & SPEC UPDATES |
| REV DATE | A 16/05/11      | B 01/02/12        | C 17/09/12              |



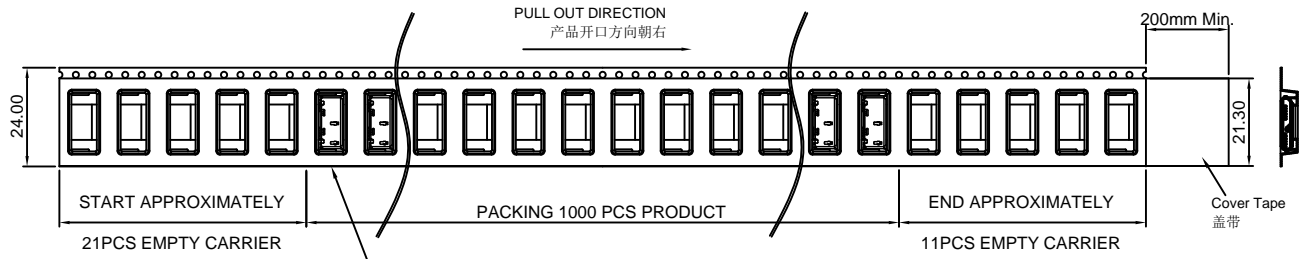
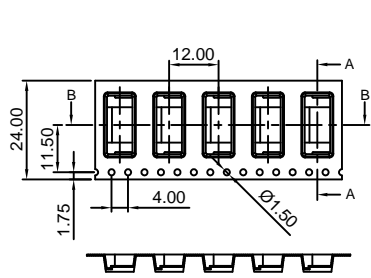
|   |  |           |
|---|--|-----------|
| Tolerances (Except as noted)  | Part Number:-  | Date:-    |
| Dimensions in mm  | <b>USB3120</b>   | 16 MAY 11 |
| X.X ± 0.3 X.X* ± 2*<br>X.XX ± 0.2 X.XX* ± 1*<br>X.XXX ± 0.1 X.XXX* ± 0.5* | Description:-  |           |
|   | USB 3.0 MICRO RECEPTACLE, TYPE AB, SMT, HORIZONTAL, 10 PIN, BOTTOM MOUNT, W/OUTER SHELL STAKES |           |
| Third Angle Projection  | © THIS DRAWING IS CONFIDENTIAL AND MUST NOT BE COPIED OR DISCLOSED WITHOUT WRITTEN CONSENT     |           |

**GCT**

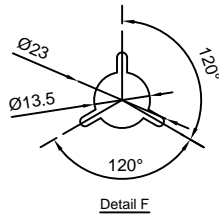
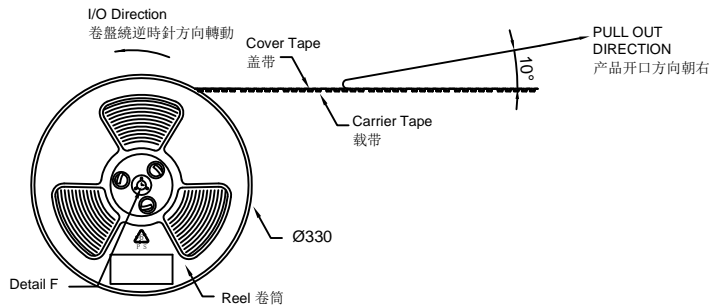
www.globalconnectortechology.com

|           |            |                   |              |        |               |
|-----------|------------|-------------------|--------------|--------|---------------|
| Scale NTS | Revision C | Material See Note | Drawn by ASE | E & OE | Sheet No. 1/2 |
|-----------|------------|-------------------|--------------|--------|---------------|

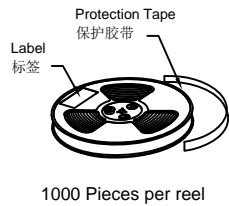
Global Connector Technology Ltd. - USB3120: USB 3.0 Micro Receptacle, Type AB, SMT, Horizontal, 10 Pin, Bottom Mount, W/Outer Shell Stakes



| Products P/N | PCS/Reel | Reels/Carton | PCS/Carton |
|--------------|----------|--------------|------------|
| USB3120-30-A | 1000     | 3            | 3000       |



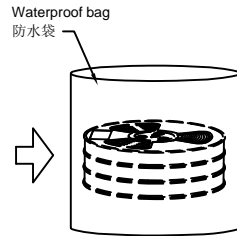
- Notes 注意:
1. Peeling off force of top tape: 0.1-1.3N
  2. All dimensions in millimeters 所有尺寸均是毫米



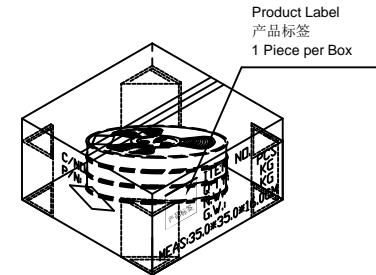
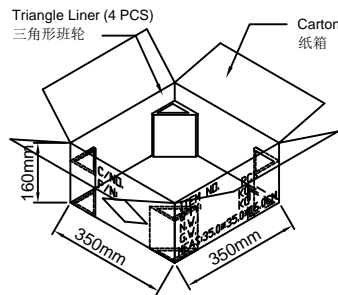
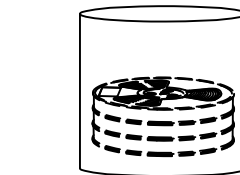
1000 Pieces per reel



3 Reels  
3 卷轴



700x600x0.05



3000 Pieces per carton

| By     | ASE             | ASE               | AJO                     |
|--------|-----------------|-------------------|-------------------------|
| DETAIL | DRAWING RELEASE | PCN:- μUSB3.0-001 | PIN INFO & SPEC UPDATES |
| REV    | A               | B                 | C                       |
| DATE   | 16/05/11        | 01/02/12          | 17/09/12                |



| Tolerances (Except as noted) |               | Part Number:-  | Date:-    |
|------------------------------|---------------|--|-----------|
| Dimensions in mm             |               | USB3120  | 16 MAY 11 |
| X.X ± 0.3                    | X.X° ± 2°     | Description:-  |           |
| X.XX ± 0.2                   | X.XX° ± 1°    | USB 3.0 MICRO RECEPTACLE, TYPE AB, SMT, HORIZONTAL, 10 PIN, BOTTOM MOUNT, W/OUTER SHELL STAKES |           |
| X.XXX ± 0.1                  | X.XXX° ± 0.5° | © THIS DRAWING IS CONFIDENTIAL AND MUST NOT BE COPIED OR DISCLOSED WITHOUT WRITTEN CONSENT     |           |
| Third Angle Projection       |               | Scale  | Revision  |
|                              |               | NTS  | C         |
|                              |               | Material   | Drawn by  |
|                              |               | See Note   | ASE       |
|                              |               | E & OE   | Sheet No. |
|                              |               |  | 2/2       |

**GCT**

www.globalconnectortechology.com