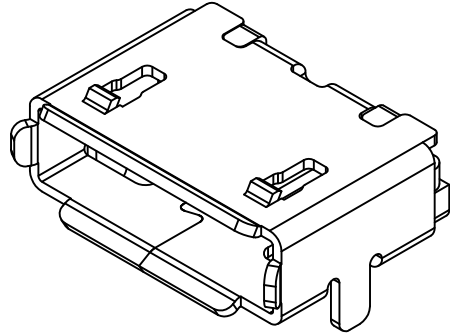


Designed to comply with physical, electrical and environmental requirements of Micro USB Standard (USB2.0), A/B types support USB On-The-Go (OTG) interface.



Specifications 规格:

Materials 材料:

Plastic Housing 塑胶外壳: LCP, UL94V-0, Black, LCP, UL94V-0 黑色
 Contact Terminal 接触端子: Copper Alloy 铜合金
 Metallic Shell 金属外壳: Stainless Steel 不锈钢 SUS 304 T = 0.25mm

Plating 电镀:

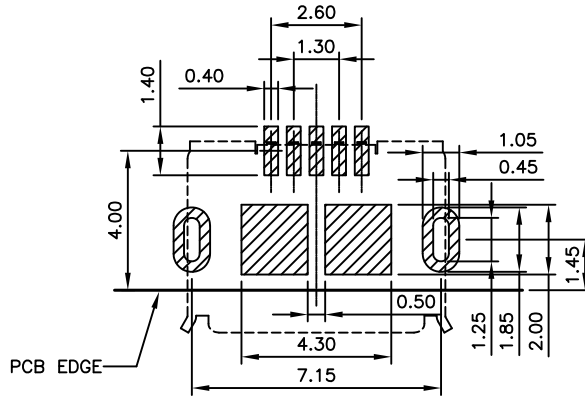
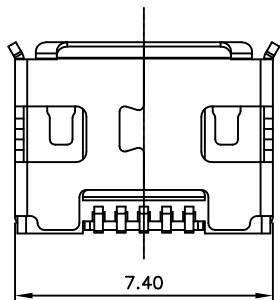
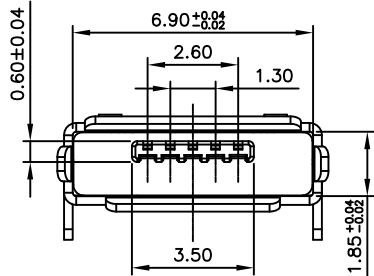
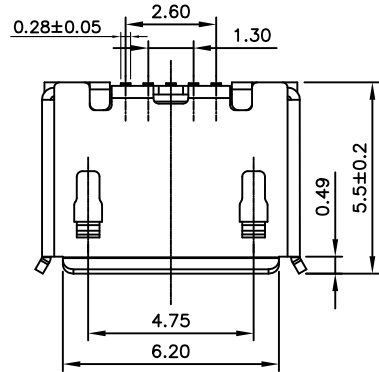
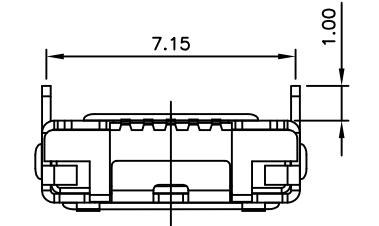
Underplating 底层电镀: 50μ" Nickel, 50μ" 镍
 Finish 表面处理: Contact Area 接触面积: 30μ" Gold plating, 30μ" 镀金
 Solder Tails 焊接末端: Gold Flash 镀金
 Metallic Shell 金属外壳: Matte Tin 雾锡

Electrical 电气规格:

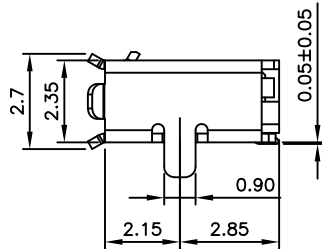
Voltage Rating 电压额定值: 100 V AC
 Current Rating 电流额定值: Signal(Pins 2,3,4)信号: 1.0 A.
 Power (Pins 1,5)电源: 1.8A.
 Operating Temperature 工作温度: -30°C to +85°C
 Contact Resistance 接触电阻值: 30mΩ Max.
 Insulating Resistance 绝缘电阻值: 1000MΩ Min.
 Dielectric Withstand Voltage 耐电压: 500V AC/Minute

Mechanical 机械性规格:

Mating Force 插入力: 35N Max.
 Unmating Force 拔出力: 10N Min.
 Durability 耐久性: 10,000 Cycles 次插拔



RECOMMENDED P.C.B LAYOUT
 GENERAL TOLERANCE: ±0.05
 AS VIEWED FROM COMPONENT SIDE
 Solder Area
 Component Outline



Ordering Grid

USB3090 - 30 - A

REQUEST SAMPLES AND QUOTATION

Contact Plating
 30 = 30u" Gold

Packing Options
 A = Tape & Reel
 (1.5K per Reel)

By	SA	CM	AJO	AJO
DETAIL	DRAWING RELEASE	DRAWING UPDATE	SPECIFICATION CHANGES	PACKING CHANGE
REV	A	B	C	D
DATE	04/04/11	26/10/11	06/07/12	17/09/12

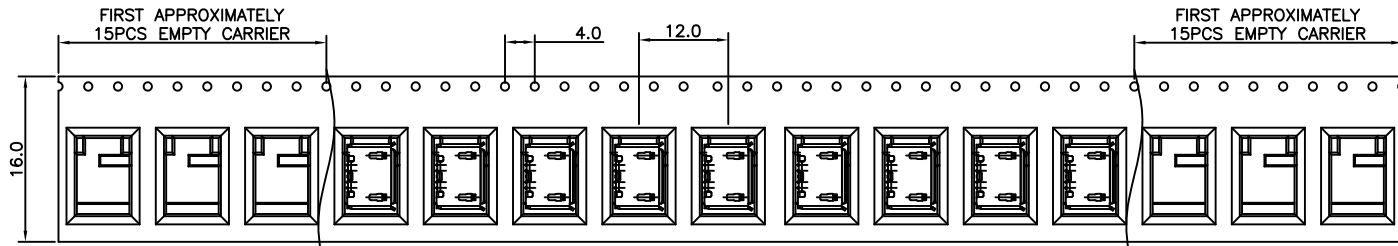


Tolerances (Except as noted)		Part Number:-	Date:-
Dimensions in mm		USB3090	04 APR 11
X.X ± 0.3	X.X* ± 2°	Description:-	
X.XX ± 0.20	X.XX* ± 1°	μ USB RECEPTACLE, TYPE AB, SMT, R/A, BOTTOM MOUNT, WITHOUT PEG, WITH OUTER SHELL STAKES	
X.XXX ± 0.10	X.XXX* ± 0.5°	THIS DRAWING IS CONFIDENTIAL AND MUST NOT BE COPIED OR DISCLOSED WITHOUT WRITTEN CONSENT	
Third Angle Projection		Scale	Revision
		NTS	D
		Material	Drawn by
		See Note	SA
		E & OE	
		Sheet No.	1/2

GCT

www.globalconnectortechnology.com

Global Connector Technology Ltd. - USB3090: Micro USB Receptacle, Type AB, Surface Mount, Horizontal, Bottom Mount (Standard), without Peg, with Outer Shell Stakes

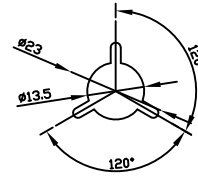
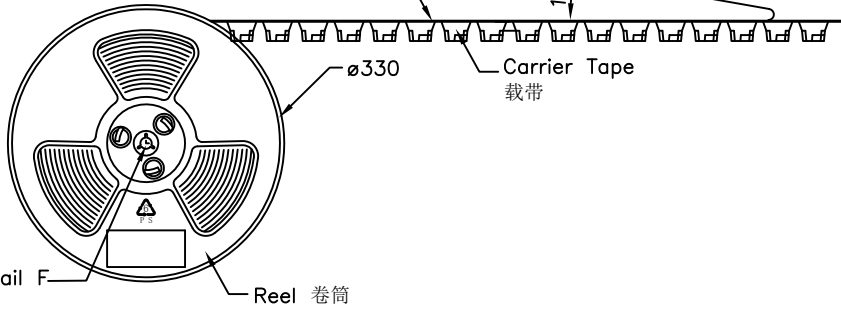


Products P/N	PCS/Reel	Reels/Carton	PCS/Carton
USB3090-30-A	1500	4	6000

I/O Direction
卷盤繞逆時針方向轉動

Cover Tape
蓋帶

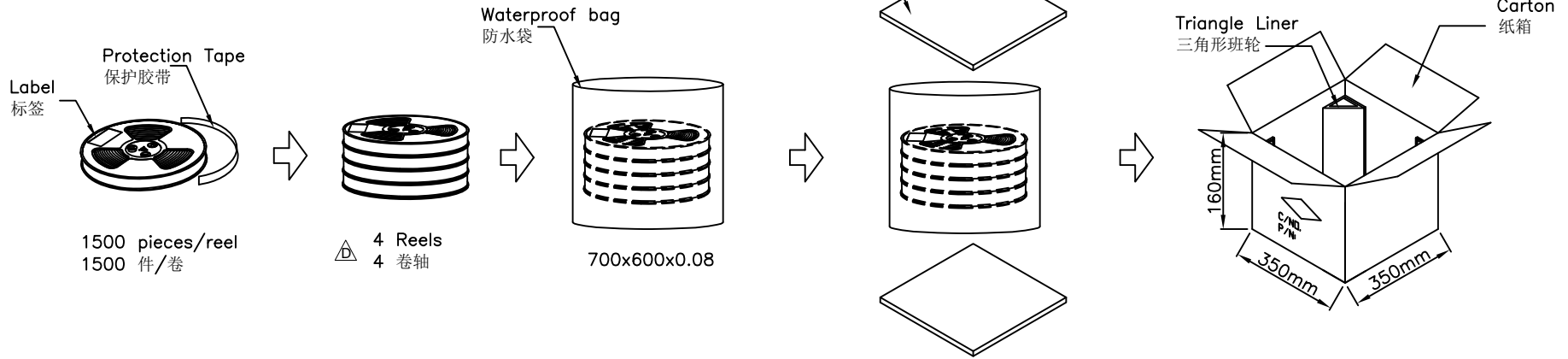
Peel of Angle
剝皮角度



Detail F

Notes注意:

1. Peeling off force of top tape: 0.1-1.3N
2. Part Conforms to EIA-481-C Standards 产品符合EIA-481-C标准
3. All dimensions in millimeters 所有尺寸均是毫米
4. 10 sprocket hole pitch cumulative tolerance±0.2mm



By	SA	CM	AJO	AJO
DETAIL	DRAWING RELEASE	DRAWING UPDATE	SPECIFICATION CHANGES	PACKING CHANGE
REV	A	B	C	D
DATE	04/04/11	26/10/11	06/07/12	17/09/12



Tolerances (Except as noted)	Part Number:- USB3090	Date:- 04 APR 11
Dimensions in mm	Description:- μ USB RECEPTACLE, TYPE AB, SMT, R/A, BOTTOM MOUNT, WITHOUT PEG, WITH OUTER SHELL STAKES	
Third Angle Projection	THIS DRAWING IS CONFIDENTIAL AND MUST NOT BE COPIED OR DISCLOSED WITHOUT WRITTEN CONSENT	

GCT

www.globalconnectortechology.com

Scale NTS	Revision D	Material See Note	Drawn by SA	E & OE	Sheet No. 2/2
--------------	---------------	----------------------	----------------	--------	------------------