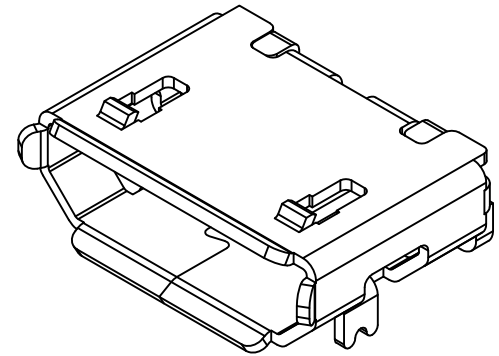
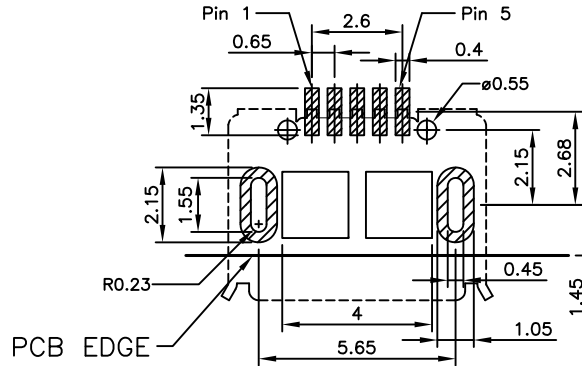
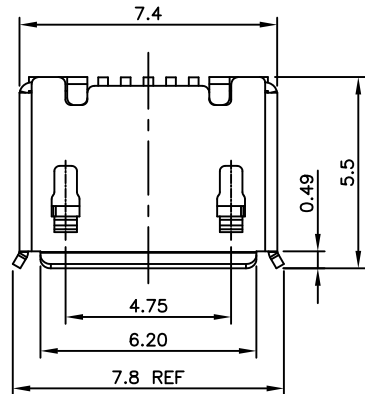


Designed to comply with physical, electrical and environmental requirements of Micro USB Standard (USB2.0).

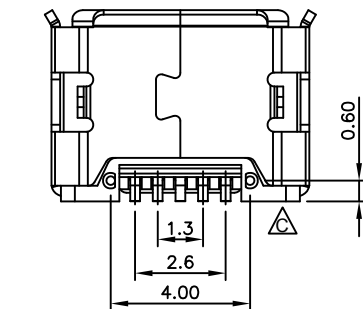
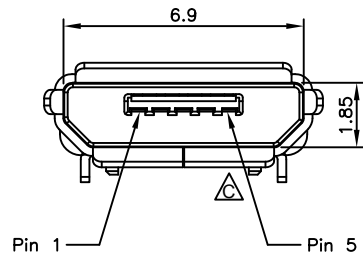
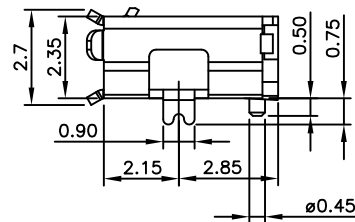


RECOMMENDED P.C.B LAYOUT

GENERAL TOLERANCE: ±0.05

AS VIEWED FROM COMPONENT SIDE

- Solder Area
- Component Outline



Ordering Grid

USB3080 - 30 - XX - A REQUEST SAMPLES AND QUOTATION

Contact Plating
30 = 30u" Gold

Packing Options
A = Tape & Reel
(1.5K per Reel)

Optional Plastic Locating Peg
00 = Without Peg
01 = With Peg (Standard)

Specifications 规格:

Materials 材料:

- Plastic Housing 塑胶外壳: LCP, UL94V-0, Black, LCP, UL94V-0 黑色
- Contact Terminal 接触端子: Copper Alloy 铜合金
- Metallic Shell 金属外壳: Stainless Steel 不锈钢 SUS 304 T = 0.25mm

Plating 电镀:

- Underplating 底层电镀: 50u" Nickel, 50u" 镍
- Finish 表面处理: Contact Area 接触面积: 30u" Gold plating, 30u" 镀金
- Solder Tails 焊接末端: Gold Flash 镀金
- Metallic Shell 金属外壳: Matte Tin 雾锡

Electrical 电气规格:

- Voltage Rating 电压额定值: 100 V AC
- Current Rating 电流额定值: Signal(Pins 2,3,4)信号:1.0 A, Power (Pins 1,5)电源:1.8A
- Operating Temperature 工作温度: -30°C to +85°C
- Contact Resistance 接触电阻值: 30mΩ Max.
- Insulating Resistance 绝缘电阻值: 1000MΩ Min.
- Dielectric Withstand Voltage 耐电压: 500V AC/Minute

Mechanical 机械性规格:

- Mating Force 插入力: 35N Max.
- Unmating Force 拨出力: 10N Min.
- Durability 耐久性: 10,000 Cycles 次插拔

By	SA	CM	ASE	AJO	AJO
DETAIL	DRAWING RELEASE	DRAWING UPDATE	AMENDED PEG	SPECIFICATION CHANGES	PACKING CHANGE
REV	A	B	C	D	E
DATE	04/04/11	26/10/11	17/02/12	06/07/12	17/09/12

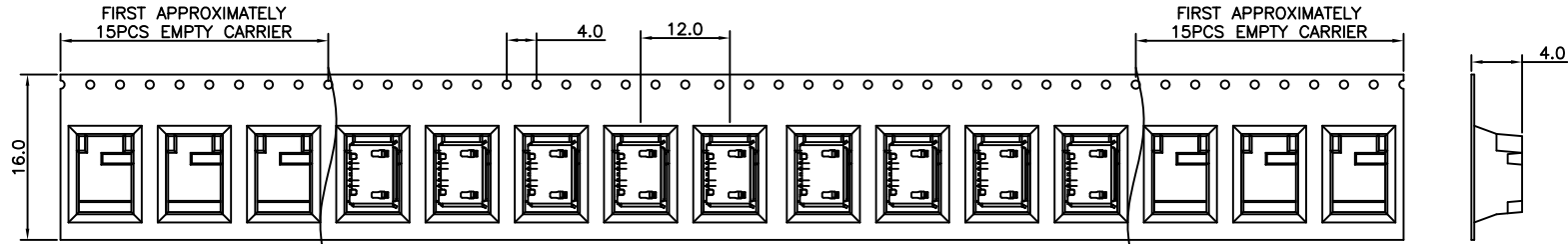


Tolerances (Except as noted)		Part Number:-	Date:-
Dimensions in mm		USB3080	04 APR 11
X.X ± 0.4	X.X° ± 2°	Description:-	
X.XX ± 0.25	X.XX° ± 1°	μ USB RECEPTACLE, TYPE B, SMT, R/A, BOTTOM MOUNT, OPTIONAL PEG, WITH SHELL STAKES	
X.XXX ± 0.05	X.XXX° ± 0.5°	THIS DRAWING IS CONFIDENTIAL AND MUST NOT BE COPIED OR DISCLOSED WITHOUT WRITTEN CONSENT	
Third Angle Projection		Scale	Revision
		NTS	E
		Material	Drawn by
		See Note	SA
		E & OE	Sheet No.
			1/2

GCT

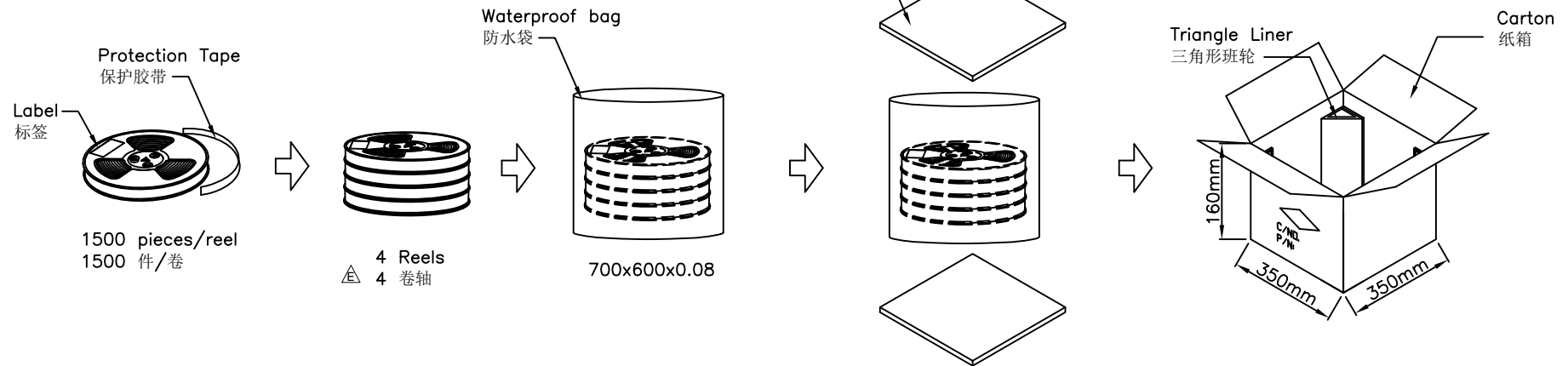
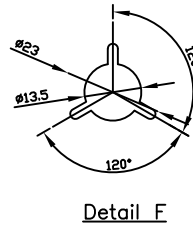
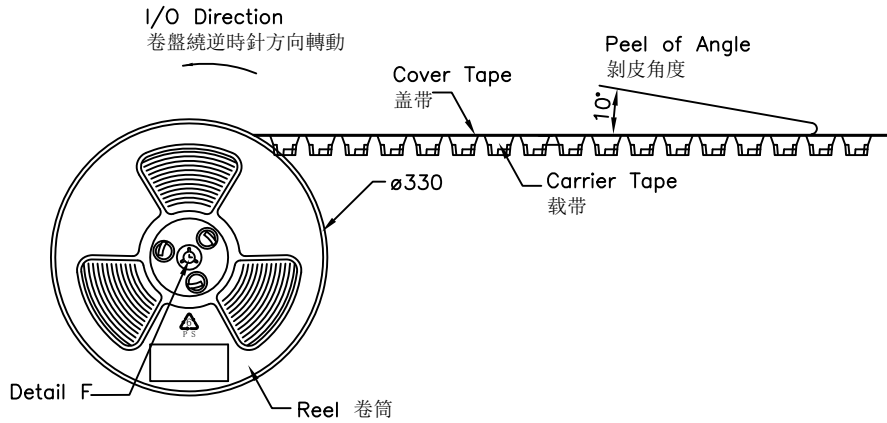
www.globalconnectortechology.com

Global Connector Technology Ltd. - USB3080: Micro USB Receptacle, Type B, SMT, Horizontal, Bottom Mount (Standard), with Optional Plastic Locating Peg and Inner Shell Stakes



Products P/N	PCS/Reel	Reels/Carton	PCS/Carton
USB3080-30-XX-A	1500	4	6000

- Notes 注意:
1. Peeling off force of top tape: 0.1-1.3N
 2. Part Conforms to EIA-481-C Standards 产品符合EIA-481-C标准
 3. All dimensions in millimeters 所有尺寸均是毫米
 4. 10 sprocket hole pitch cumulative tolerance±0.2mm



By	SA	CM	ASE	AJO	AJO
DETAIL	DRAWING RELEASE	DRAWING UPDATE	AMENDED PEG	SPECIFICATION CHANGES	PACKING CHANGE
REV	A	B	C	D	E
DATE	04/04/11	26/10/11	17/02/12	06/07/12	17/09/12



Tolerances (Except as noted)	Part Number:-	Date:-
Dimensions in mm	USB3080	04 APR 11
	Description:-	
	µ USB RECEPTACLE, TYPE B, SMT, R/A, BOTTOM MOUNT, OPTIONAL PEG, WITH SHELL STAKES	
	THIS DRAWING IS CONFIDENTIAL AND MUST NOT BE COPIED OR DISCLOSED WITHOUT WRITTEN CONSENT	

GCT

www.globalconnectortechology.com

Scale NTS	Revision E	Material See Note	Drawn by SA	Sheet No. 2/2
-----------	------------	-------------------	-------------	---------------