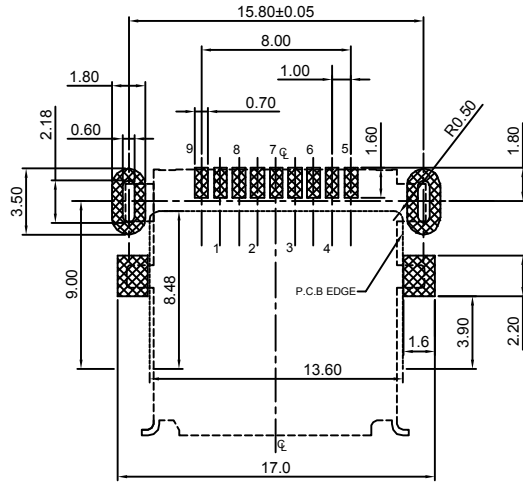
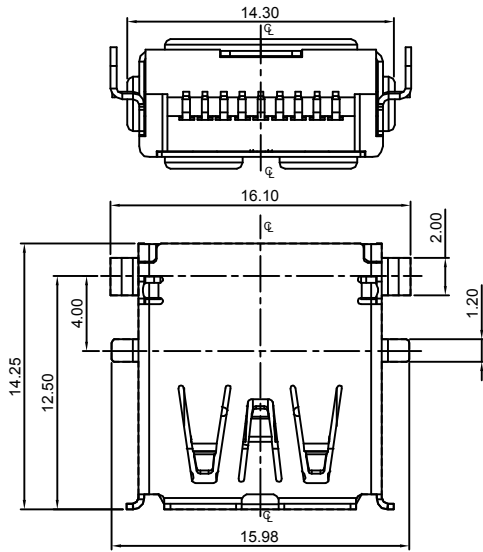
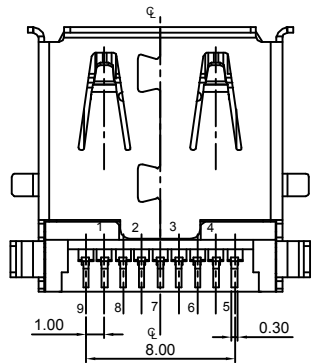
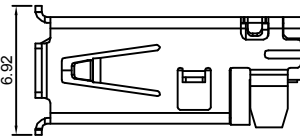
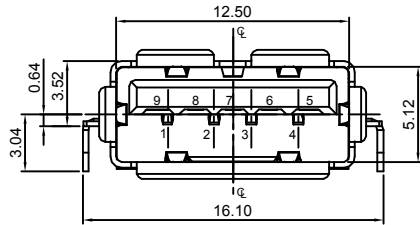
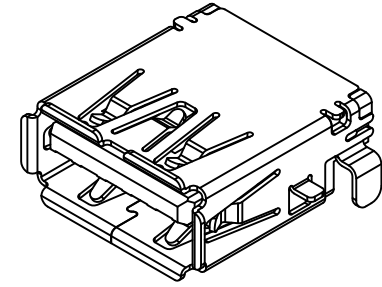


Designed to comply with physical, electrical and environmental requirements of full size USB Standard Compliance (USB3.0).



RECOMMENDED P.C.B LAYOUT
AS VIEWED FROM COMPONENT SIDE
Solder Area
Component Outline



Ordering Grid
USB1070 - 30 - B - B

REQUEST SAMPLES AND QUOTATION

Contact Plating
30 = 30µm Gold

Packing Options
B = Tray
(150 per tray)

Specifications 规格:

Materials 材料:

Plastic Housing 塑胶外壳: LCP, UL94V-0 Blue \triangle
Contact Terminal 接触端子: Phosphor Bronze
Metallic Shell 金属外壳: Brass

Finish 表面处理:

Underplating 底层电镀: Nickel
Plating 电镀:
Contact Area 接触面积: 30µm Gold
Solder Tails 焊接末端: 100µm Min. Tin
Metallic Shell 金属外壳: Nickel

Electrical 电气规格:

Voltage Rating 电压额定值: 30 V AC
Current Rating 电流额定值: 1.5A AC/DC
Operating Temperature 工作温度: -55°C to +85°C
Contact Resistance 接触电阻值: 30mΩ Max.
Insulating Resistance 绝缘电阻值: 1000MΩ Min.
Dielectric Withstand Voltage 耐电压: 500V AC/Minute

Mechanical 机械性规格:

Mating Force 插入力: 35N Max.
Unmating Force 拔出力: 10N Min.
Durability 耐久性: 5000

By	ASE	CM
DETAIL	DRAWING RELEASE	ECNUSB1070-001
REV DATE	A 16/05/11	B 23/09/11

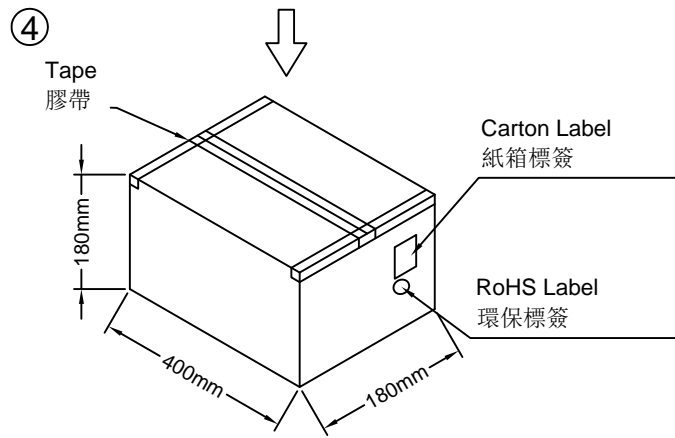
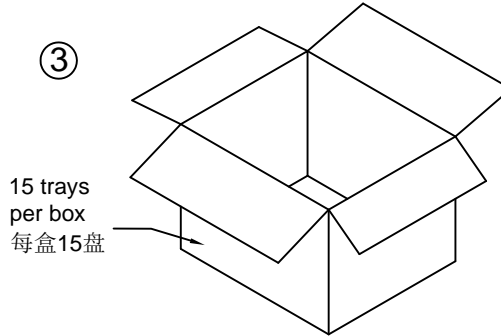
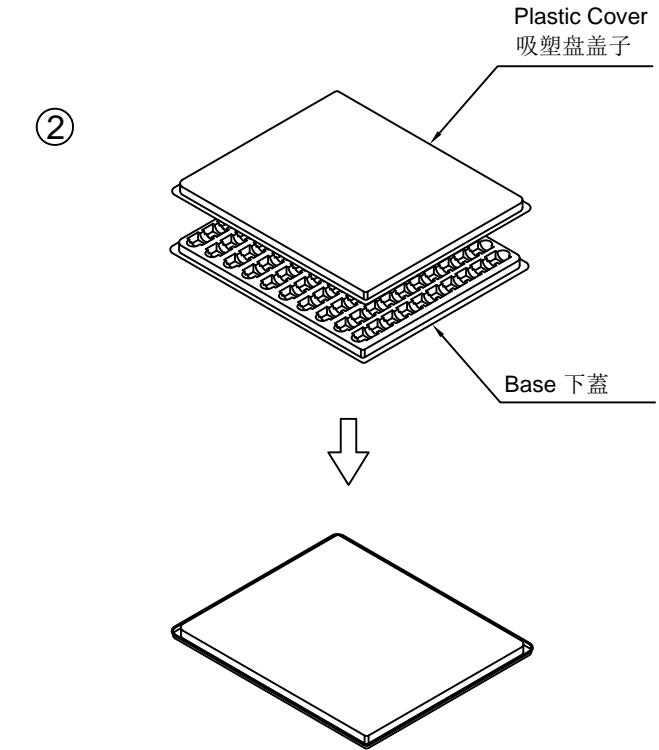
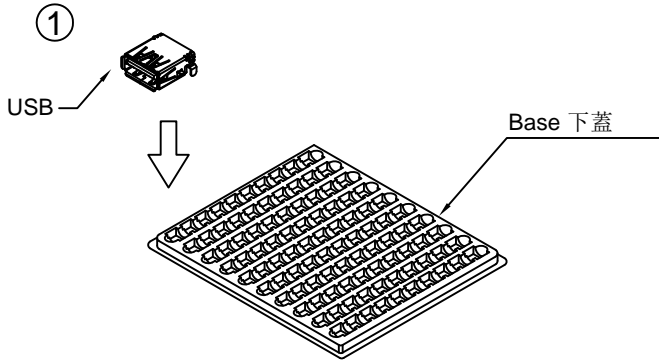


Tolerances (Except as noted)	Part Number:-	Date:-
Dimensions in mm	USB1070	23 SEP 11
X.X ± 0.3 X.X* ± 2°	Description:-	
X.XX ± 0.2 X.XX* ± 1°	USB3.0 RECEPTACLE, TYPE A, TOP/MID MOUNT SURFACE MOUNT, HORIZONTAL, 9 PIN, OFFSET 3.52MM, W/OUTER SHELL STAKES, SMT HOLDOWNS	
X.XXX ± 0.1 X.XXX* ± 0.5°		
Third Angle Projection	© THIS DRAWING IS CONFIDENTIAL AND MUST NOT BE COPIED OR DISCLOSED WITHOUT WRITTEN CONSENT	

GCT

www.globalconnectortechnology.com

Scale NTS	Revision B	Material See Note	Drawn by ASE	E & OE	Sheet No. 1/2
-----------	------------	-------------------	--------------	--------	---------------

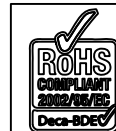


Products P/N	PCS/Tray	Trays/Carton	PCS/Carton
USB1070-30-B	150	15	2250

Packing Rules 封裝規則:

1. USB's placed into the tray base. 將USB连接器放入吸塑盘内
2. Tray cover and base taped together to keep USB's in place. USB连接器放好后, 加上吸塑盖, 并用胶带缠绕好
3. 15 trays put into each carton. 15吸塑盘一叠, 放入纸箱
4. Boxed taped and label stuck on the outer carton. 用胶带封住纸箱; 并贴上标签。

By	ASE	CM
DETAIL	DRAWING RELEASE	ECNUSB1070-001
REV DATE	A 16/05/11	B 23/09/11



Tolerances (Except as noted)		Part Number:-	Date:-
Dimensions in mm		USB1070	23 SEP 11
X.X ± 0.3	X.X° ± 2°	Description:-	
X.XX ± 0.2	X.XX° ± 1°	USB3.0 RECEPTACLE, TYPE A, TOP/MID MOUNT SURFACE MOUNT, HORIZONTAL,	
X.XXX ± 0.1	X.XXX° ± 0.5°	9 PIN, OFFSET 3.52MM, W/OUTER SHELL STAKES, SMT HOLDOWNS	
Third Angle Projection		© THIS DRAWING IS CONFIDENTIAL AND MUST NOT BE COPIED OR DISCLOSED WITHOUT WRITTEN CONSENT	

GCT

www.globalconnectortechonlogy.com

Scale	Revision	Material	Drawn by	Sheet No.
NTS	B	See Note	ASE	2/2